



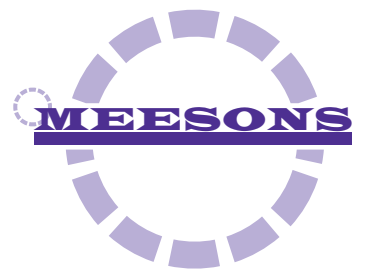
# HPJ system

modular security

The new double interlocking security door range built with flexibility in mind to meet your requirements.

Developed to make the best use of your space.

Designed to draw attention to themselves.



## HPJ System

The new fully customizable double interlocking security door system

### Modularity

Alluser Industrie presents the modularity concept applied to access control - proudly introducing the HPJ system range with the HPJ 140 LINE and the FPJ 140 LINE.

### Flexibility

Alluser Industrie Laboratories developed the HPJ series to offer a high level of versatility, by offering a wide range of different door configurations (automatic, sliding, manual, etc.) and the ability to integrate the system with any access control device. The full range has all been designed to be assembled at the installation site, facilitating easy transportation to different floors.

### Only one person per transit - A.P.D.

HPJ 140 and FPJ 140 can be seamlessly integrated with the revolutionary A.P.D. (Anti Piggy-backing Device), which prevents piggybacking and tailgating by not allowing the simultaneous transit of two people through the cabin.

### High security

To improve the security level the HPJ SERIES can integrate systems such as facial recognition, iris scan technology, fingerprint readers, hand geometry, proximity card readers, badge readers. The combination of an access control system with the A.P.D. allows only authorized people to enter the restricted area.

### Accessibility

All models allow easy access to people with disabilities and a quick exit in case of fire or black out.

### Versatile Design

Due to a large number of different HPJ system configurations, it is possible to obtain several security levels whilst maintaining an high aesthetical appeal.



Patented

## HPJ 140

All of the technology of a double interlocking door system in half of the space

- Dimensions: 890d x 1380w x 2320h mm; (35" d x 54.37" w x 7'7" h)
- Cabin entrance: 890mm; (35")
- Weight: 230kg; (507 pounds)
- Working power: 24 Volt CC
- Max power absorbed: 1 A/hr
- Emergency battery back up: 3/4 hr
- Glass type: security multilayer 2/3 (layer), European standard: EN 12600, EN 356, EN 1063
- Emergency unlocking device: allowing manual opening of the automatic door
- Throughput: 500-600 people/hr
- Door opening: bi-parting automatic door system
- O/shell (Horizontal bracket): designed to house and integrate access control systems
- Quick installation: floor recess not required



Flush floor mounting on all units allowing easy access for people with disabilities

Outer finishing of the cabins HPJ 140 and FPJ 140 can be customized with the materials displayed below:



satined steel



satined bronze



polished steel



polished bronze



wood



marble


RAL

wide range of colour available

## FPJ 140/2HP

All of the 'HPJ module' capabilities in a full double interlocking door system

- Dimensions: 1911\*d x 1380w x 2320h mm; (6'3"\*d x 54.37"\*w x 7'7"\*h) - (\*variable)
- Cabin entrance: 890mm; (35")
- Weight: 500kg; (1102 pounds)
- Working power: 24 Volt CC
- Max power absorbed: 1 A/hr
- Emergency battery back up: 3/4 hr
- Glass type: security multilayer 2/3 (layer), European standard: EN 12600, EN 356, EN 1063
- Emergency unlocking device: allowing manual opening of the automatic door
- Throughput: 500-600 people/hr
- Door opening: bi-parting automatic door system integrated with: manual swing door / automatic sliding door / bi-parting automatic door
- O/shell (Horizontal bracket): designed to house and integrate access control system
- Quick installation: floor recess not required 140/2HP Flush floor

 Flush floor mounting on all units allowing easy access for people with disabilities



Remote control panel with intercom (upon request)



variable infill  
(see 'HPJ system configurations' on the next page)



### APD – Anti Piggy-backing Device

Ultrasonic ceiling-mounted sensors allow the transit of only one person at a time. (No floor mounted mechanisms).



Patented Emergency unlocking device allowing manual opening of the automatic door.



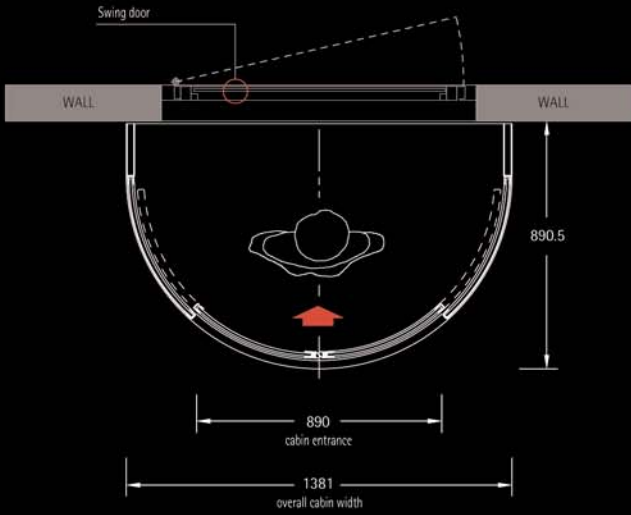
Access traffic light and O/shell  
Horizontal bracket for access control reader integration.



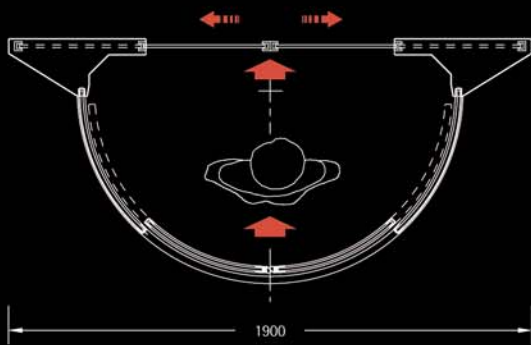
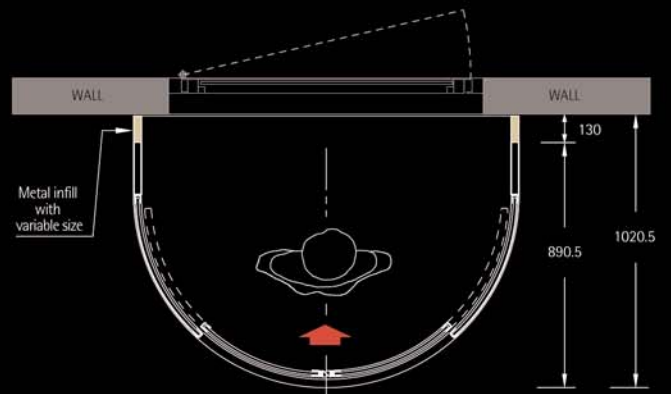
Rubber floor  
Can be customized with your logo.

- The unit can be part of a simple retrofit to an existing door.
- We integrate with all access control providers (incl. biometric).
- We offer a range of glass types - standard to bullet resistant.

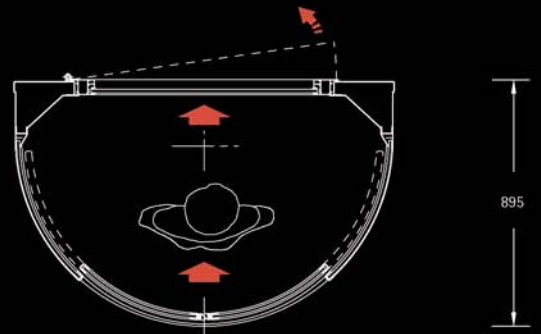
# HPJ system configurations



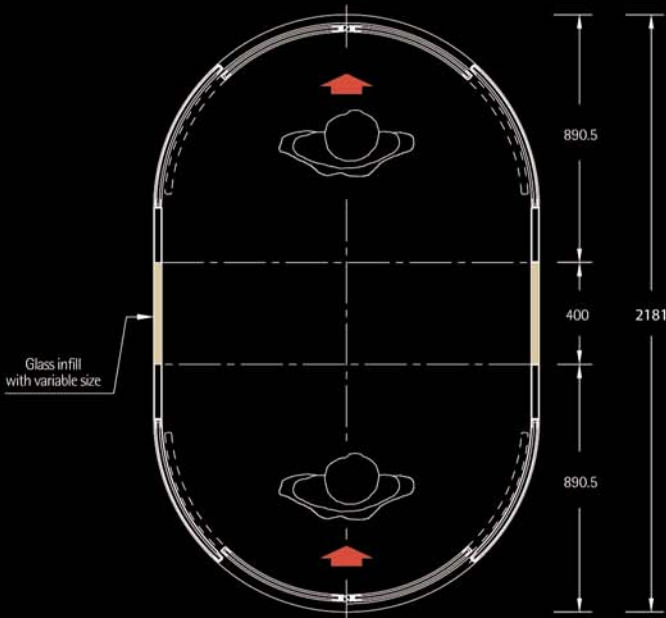
type HPJ 140



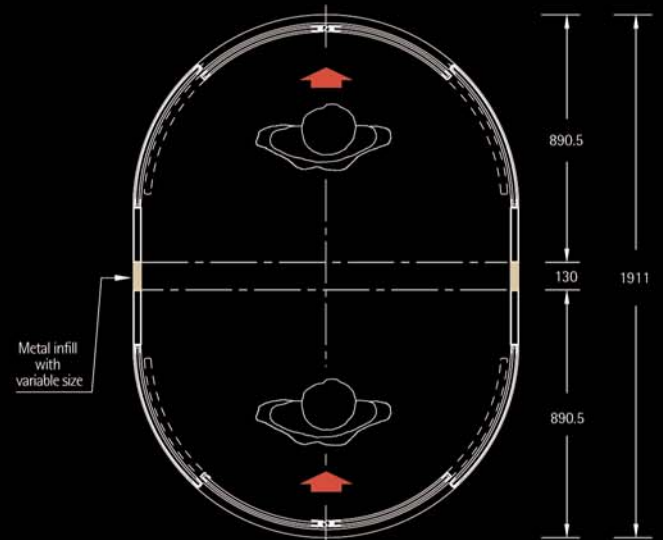
type FPJ 140/2S



type FPJ 140/1A



type FPJ 140/2HP



(displayed dimensions are in millimetres)



via dell'Industria, 18  
35020 Due Carrare (Padova) - Italy  
tel +39 049 9115211  
fax +39 049 5290223  
www.alluserindustrie.com  
alluser@alluserindustrie.com

Authorized Distributors:



**Meesons A. I. Limited**  
T 0870 787 7846  
F 01756 797 570  
[www.meesons.com](http://www.meesons.com)  
enquiries@meesons.com

Cardea House, Sidings Business Park,  
Skipton, North Yorkshire, England, BD23 1TB