

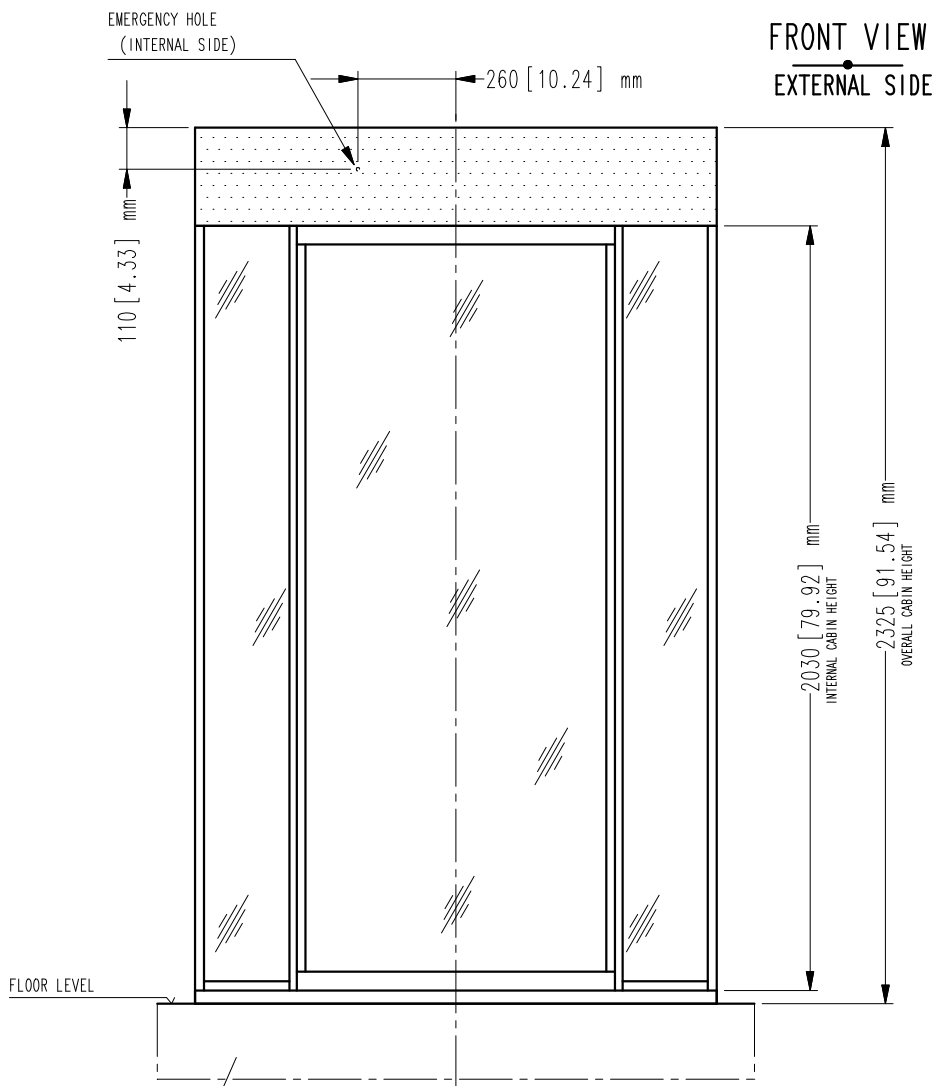
NOTE:

GENERAL CONSTRUCTION  
TOLERANCE:  $\pm 5$  mm [ $\pm 0.2$ " ]

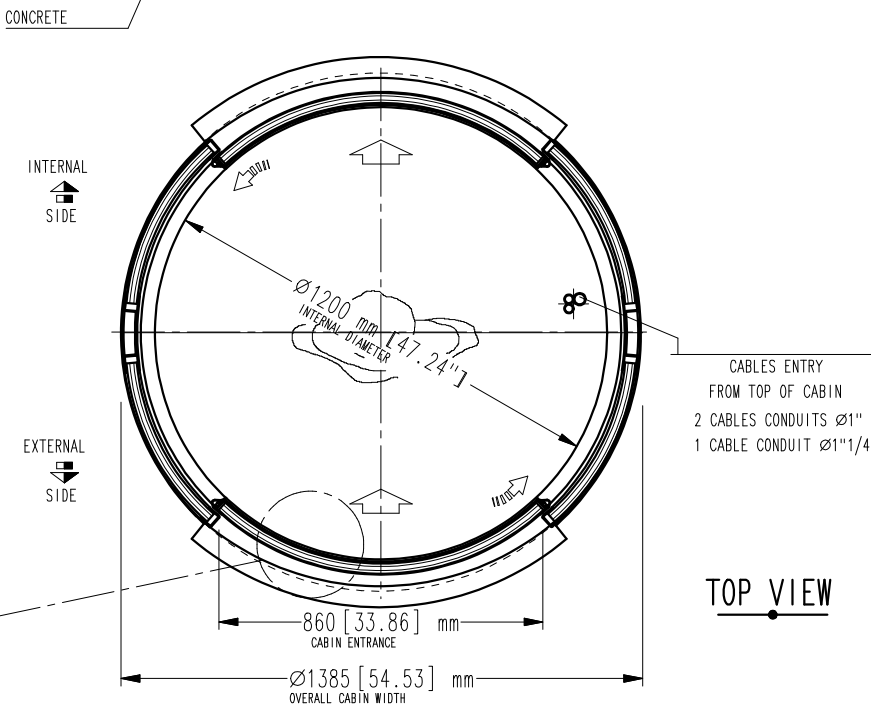
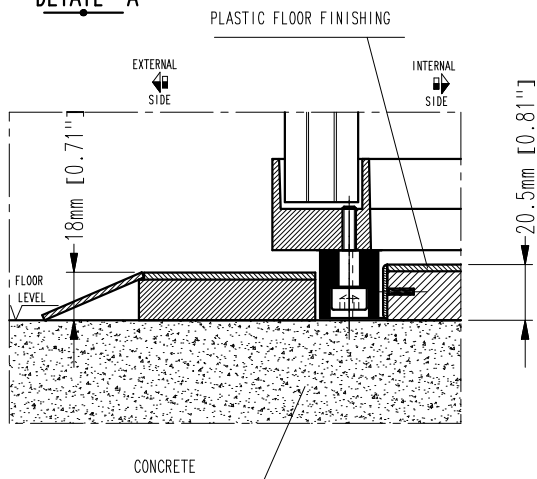
INSTALLATION REQUIREMENT



SPACE FOR MAINTENANCE  
ABOVE TOP OF THE CABIN ON  
THE INTERNAL SIDE:  
\*MIN. 300 mm [11.81"]  
\*RECOMMENDED 750 mm [29.53"]

\*if space does not meet the  
required specifications contact  
us to discuss alternatives



**DETAIL 'A'**



DRAWING NUMBER		DRAWN BY		DATE				Cardea House Sidings Business Park Skipton BD23 1TB 01756 797727	
EARC-037		S. Bettinelli		19/06/06					
PAGE 1 OF 1		APPROVED BY		PRINTING SCALE		THIS DOCUMENT IS AN ALLUSER INDUSTRIE PROPERTY AND IT CANNOT BE COPIED OR TRANSFERRED TO THIRD PARTIES WITHOUT A PREVIOUS WRITTEN AUTHORIZATION. DUE TO OUR POLICY OF CONTINUOUS PRODUCT DEVELOPMENT, ALL DIMENSIONS AND SPECIFICATIONS DESCRIBED IN THIS DOCUMENT ARE SUBJECT TO CHANGE WITHOUT NOTICE.			
		ALLUSER		1:20					
2	-	-	-	TITLE / DESCRIPTION					
1	-	-	-	C3R - Cilindro R Maxi					
REV.	REVISION DESCRIPTION			DATE	DRAWN BY	Flush mounted to floor (no recess required)			
						Overall dimensions and mechanical installation requirement			