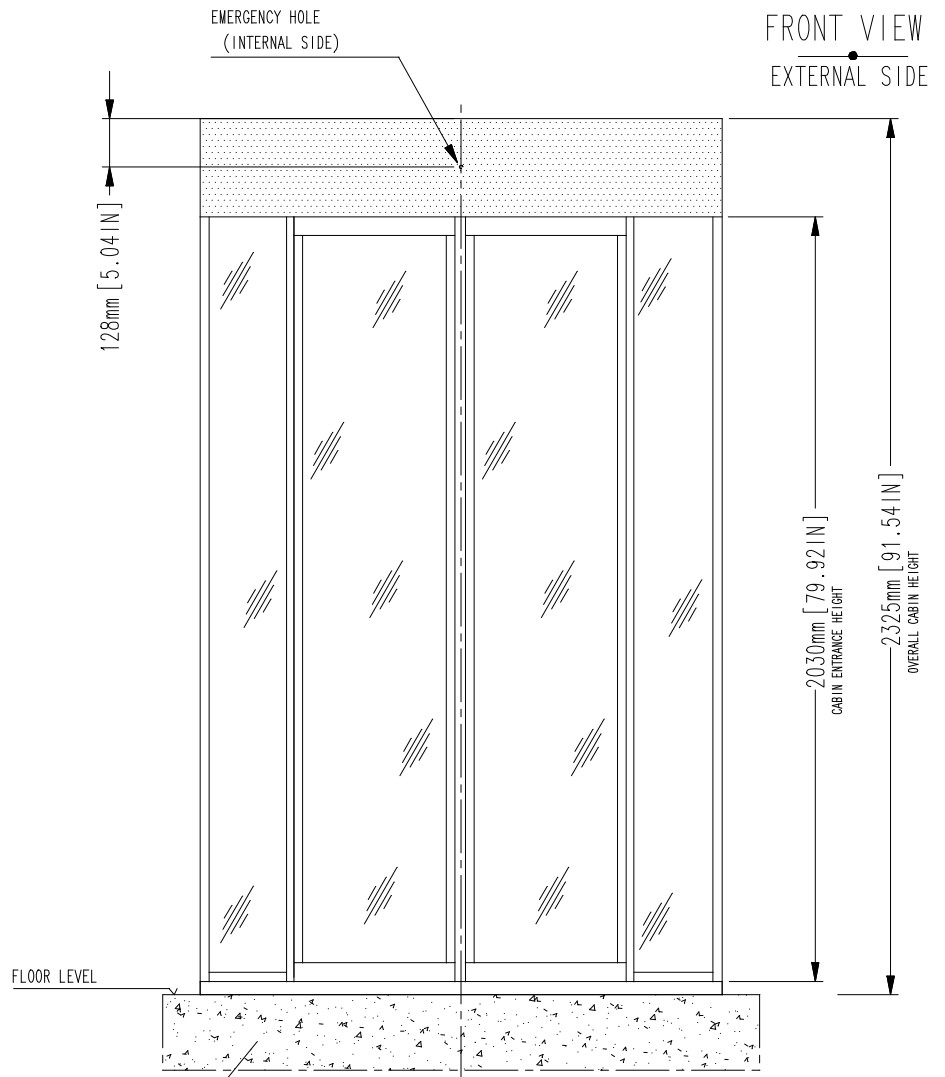
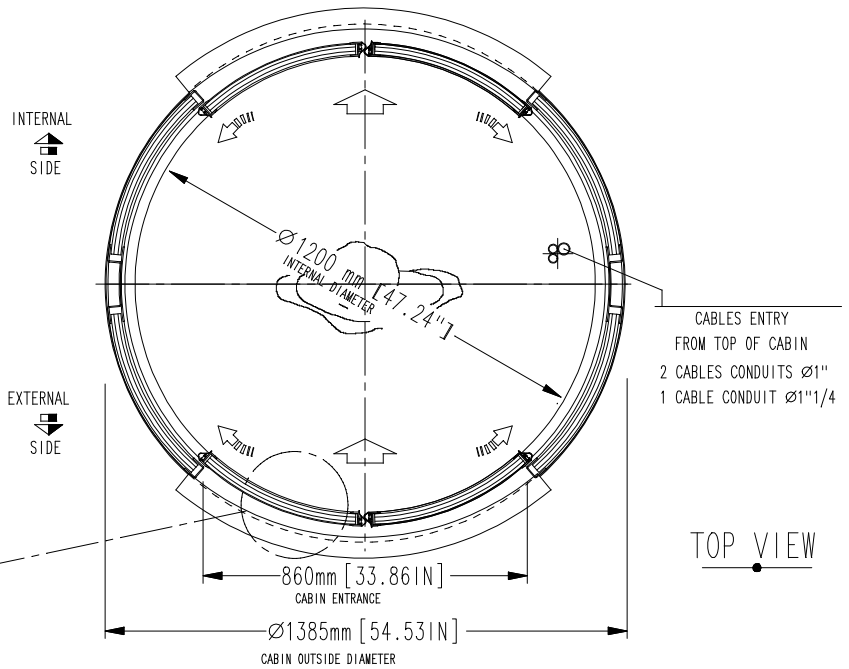
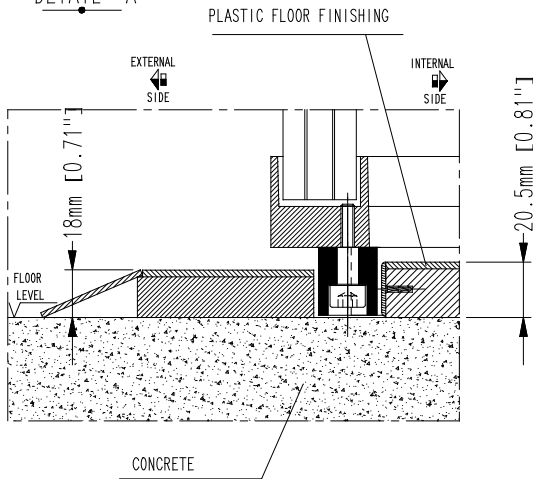


NOTE:  
 GENERAL CONSTRUCTION TOLERANCE:  $\pm 5 \text{ mm}$  [ $\pm 0.2''$ ]  
 INSTALLATION REQUIREMENT  
 SPACE FOR MAINTENANCE ABOVE TOP OF THE CABIN ON THE INTERNAL SIDE:  
 \*MIN. 300 mm [ $11.81''$ ]  
 \*RECOMMENDED 750 mm [ $29.53''$ ]  
 \*if space does not meet the required specifications contact us to discuss alternatives



DETAIL 'A'



DRAWING NUMBER

EARC-038

PAGE 1 OF 1

DRAWN BY

S. Bettinelli

APPROVED BY

ALLUSER

DATE

19/06/06

PRINTING SCALE

1:20

**alluser**  
 INDUSTRIE  
 designed for your security

**MEESONS**  
 SAFE SECURE ACCESS

Cardea House  
 Sidings Business Park  
 Skipton  
 BD23 1TB  
 01756 797727

THIS DOCUMENT IS AN ALLUSER INDUSTRIE PROPERTY AND IT CANNOT BE COPIED OR TRANSFERRED TO THIRD PARTIES WITHOUT A PREVIOUS WRITTEN AUTHORIZATION. DUE TO OUR POLICY OF CONTINUOUS PRODUCT DEVELOPMENT, ALL DIMENSIONS AND SPECIFICATIONS DESCRIBED IN THIS DOCUMENT ARE SUBJECT TO CHANGE WITHOUT NOTICE.

|      |                      |      |          |
|------|----------------------|------|----------|
| 2    | -                    | -    | -        |
| 1    | -                    | -    | -        |
| REV. | REVISION DESCRIPTION | DATE | DRAWN BY |

|  |  |
|--|--|
| TITLE / DESCRIPTION  |  |
| C3R - Cilindro R Maxi                                      |  |
| Flush mounted to floor (no recess required)                |  |
| Overall dimensions and mechanical installation requirement |  |