

NOTE:

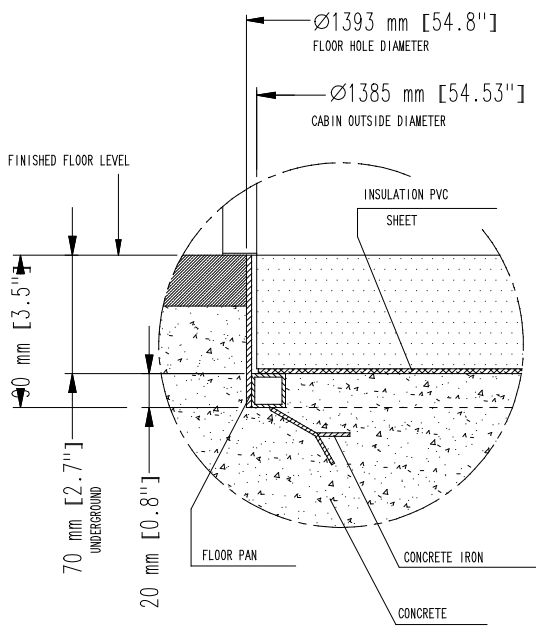
GENERAL CONSTRUCTION
TOLERANCE: ± 5 mm [± 0.2 "]

INSTALLATION REQUIREMENT

SPACE FOR MAINTENANCE
ABOVE TOP OF THE CABIN ON
THE INTERNAL SIDE:
*MIN. 300 mm [11.81"]
*RECOMMENDED 750 mm [29.53"]

*if space does not meet the
required specifications contact
us to discuss alternatives

DETAIL "A"
FLOOR PAN DETAIL

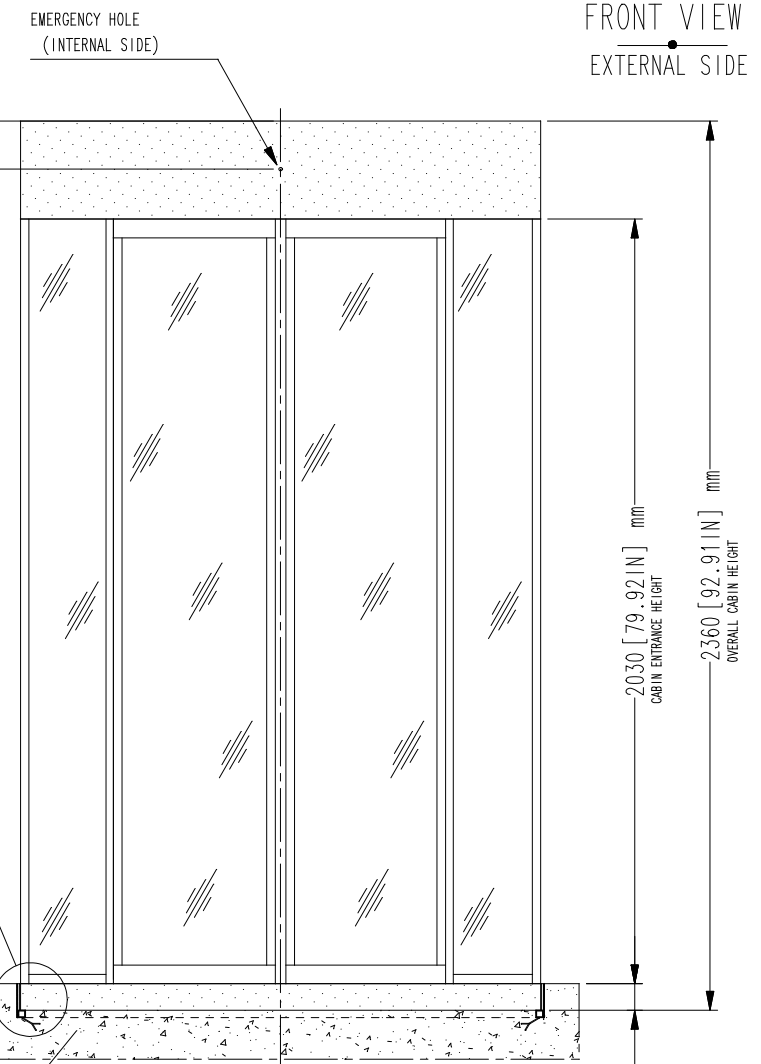


FLOOR PAN
INSTALLATION
SEE DETAIL "A"

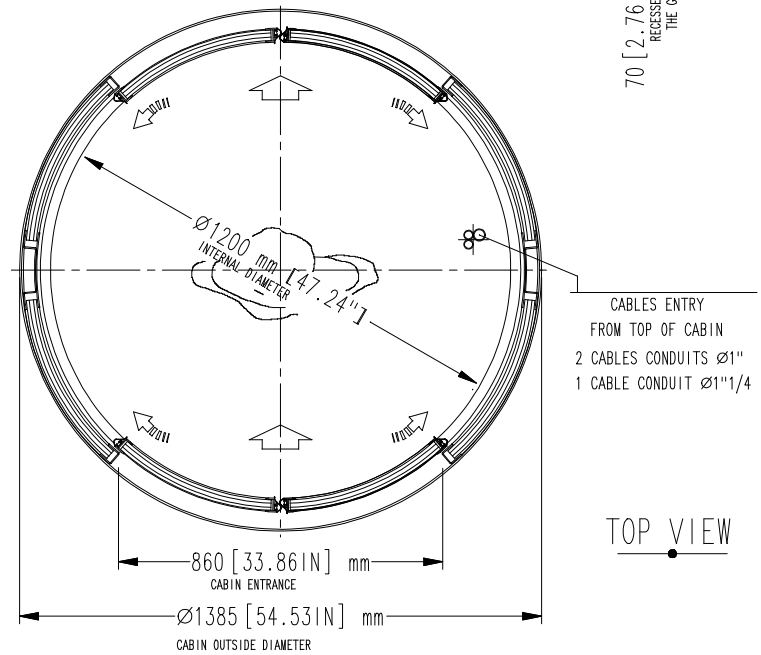
CONCRETE

INTERNAL
SIDE

EXTERNAL
SIDE



70 [2.76 IN] mm
RECESSED INTO
THE GROUND



DRAWING NUMBER

EARC-036

PAGE 1 OF 1

DRAWN BY

S. Bettinelli

APPROVED BY

ALLUSER

DATE

19/06/06

PRINTING SCALE

1:20

alluser
INDUSTRIE
designed for your security

THIS DOCUMENT IS AN ALLUSER INDUSTRIE PROPERTY AND IT CANNOT BE COPIED OR TRANSFERRED TO THIRD PARTIES WITHOUT A PREVIOUS WRITTEN AUTHORIZATION.
DUE TO OUR POLICY OF CONTINUOUS PRODUCT DEVELOPMENT, ALL DIMENSIONS AND SPECIFICATIONS DESCRIBED IN THIS DOCUMENT ARE SUBJECT TO CHANGE WITHOUT NOTICE.

MEESONS
SAFE SECURE ACCESS

Cardea House
Sidings Business Park
Skipton
BD23 1TB
01756 797727

| | | | |
|------|----------------------|------|----------|
| 2 | - | - | - |
| 1 | - | - | - |
| REV. | REVISION DESCRIPTION | DATE | DRAWN BY |

TITLE / DESCRIPTION

C3 - Cilindro Maxi

Cabin recessed into the floor (ramp or floor pan required)
Overall dimensions and mechanical installation requirement