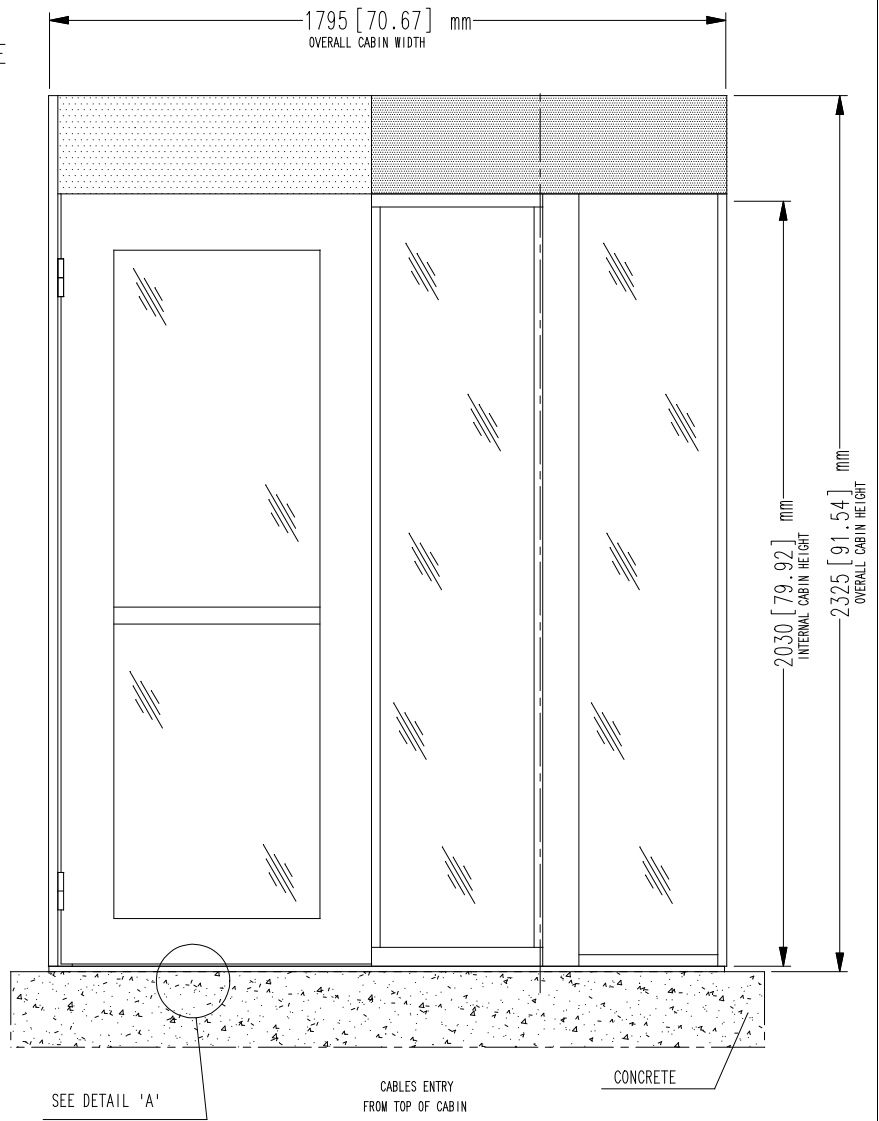


FRONT VIEW  
EXTERNAL SIDE

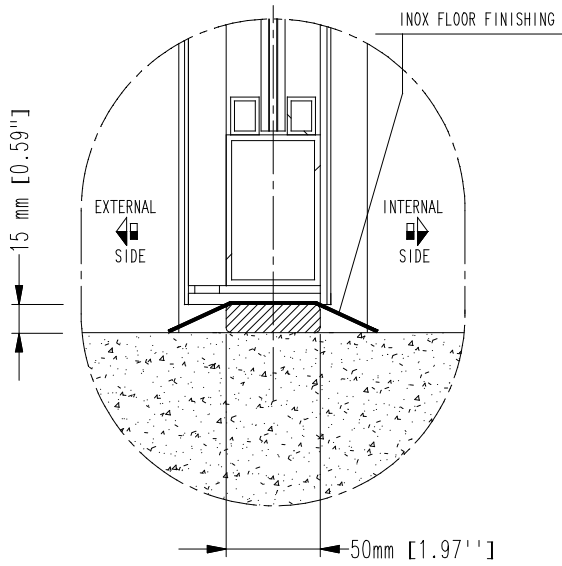


NOTE:  
GENERAL CONSTRUCTION  
TOLERANCE: ± 5 mm [± 0.2"]

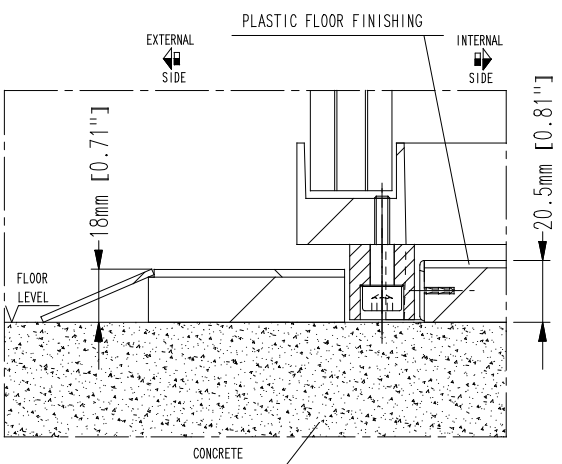
INSTALLATION REQUIREMENT

SPACE FOR MAINTENANCE  
ABOVE TOP OF THE CABIN ON  
THE INTERNAL SIDE:  
\*MIN. 300 mm [11.81"]  
\*RECOMMENDED 750 mm [29.53"]  
  
\*if space does not meet the  
required specifications contact  
us to discuss alternatives

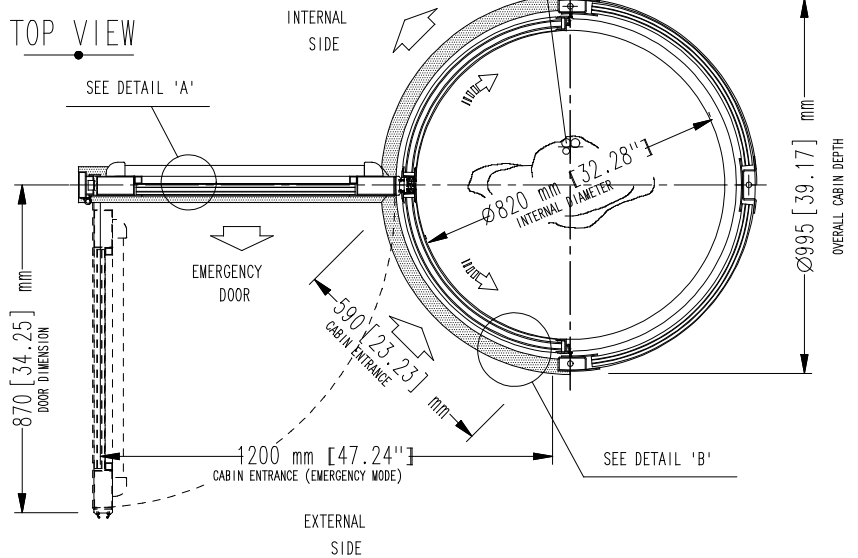
DETAIL 'A'



DETAIL 'B'



TOP VIEW



DRAWING NUMBER

EARC-077

PAGE 1 OF 1

DRAWN BY

A.Dainese

APPROVED BY

ALLUSER

DATE

13/03/08

PRINTING SCALE

1:20

**alluser**  
INDUSTRIE  
designed for your security

**MEESONS**  
SAFE SECURE ACCESS

Cardea House  
Sidings Business Park  
Skipton  
BD23 1TB  
01756 797727

THIS DOCUMENT IS AN ALLUSER INDUSTRIE PROPERTY AND IT CANNOT BE COPIED OR TRANSFERRED TO THIRD PARTIES WITHOUT A PREVIOUS WRITTEN AUTHORIZATION.  
DUE TO OUR POLICY OF CONTINUOUS PRODUCT DEVELOPMENT, ALL DIMENSIONS AND SPECIFICATIONS DESCRIBED IN THIS DOCUMENT ARE SUBJECT TO CHANGE WITHOUT NOTICE.

2	-	-	-
1	-	-	-
REV.	REVISION DESCRIPTION	DATE	DRAWN BY

TITLE / DESCRIPTION  
C5 KR - Cilindro Robota Ribassata Reversibile  
Overall dimensions and mechanical installation requirement