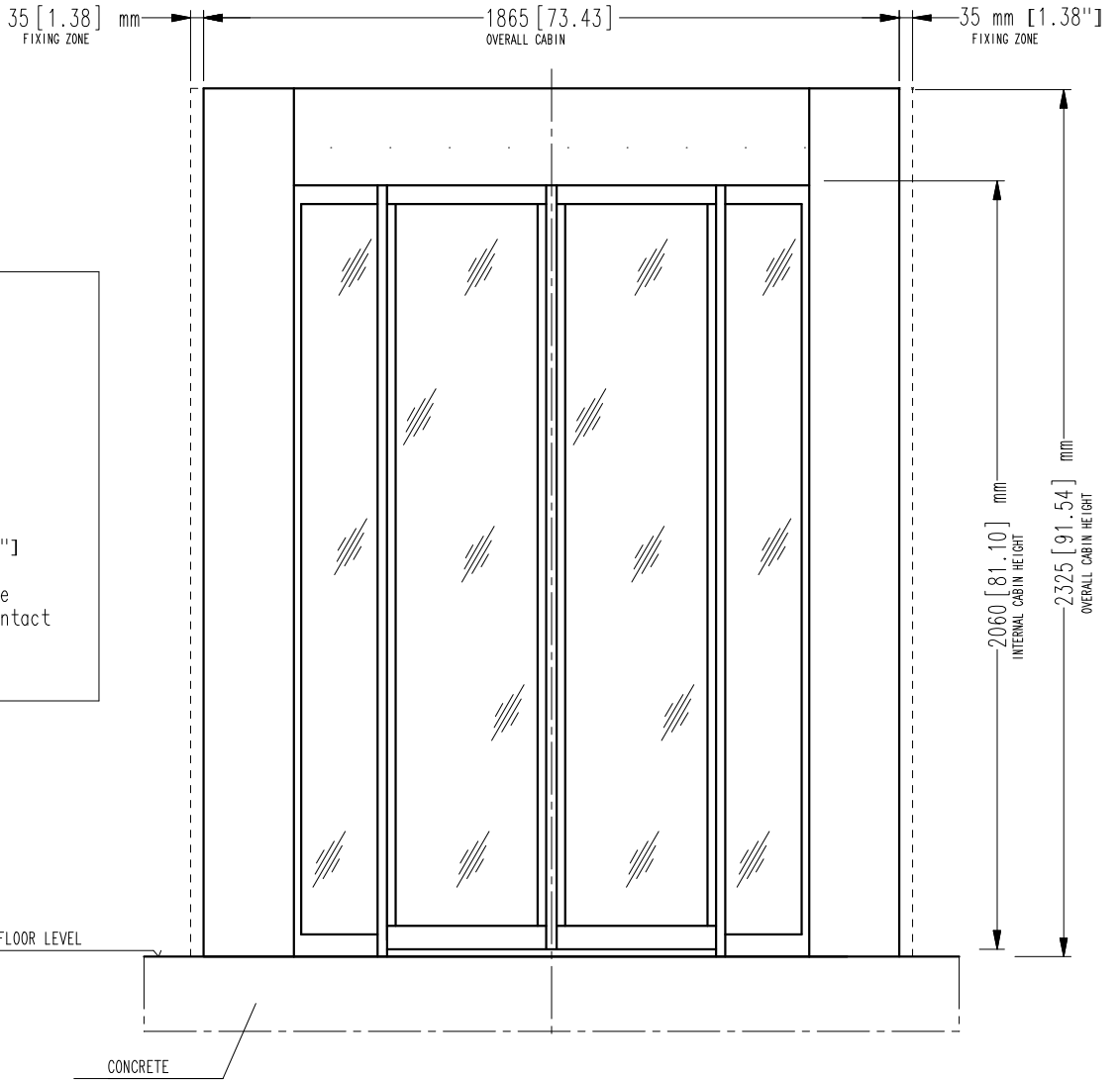


FRONT VIEW
EXTERNAL SIDE



NOTE:

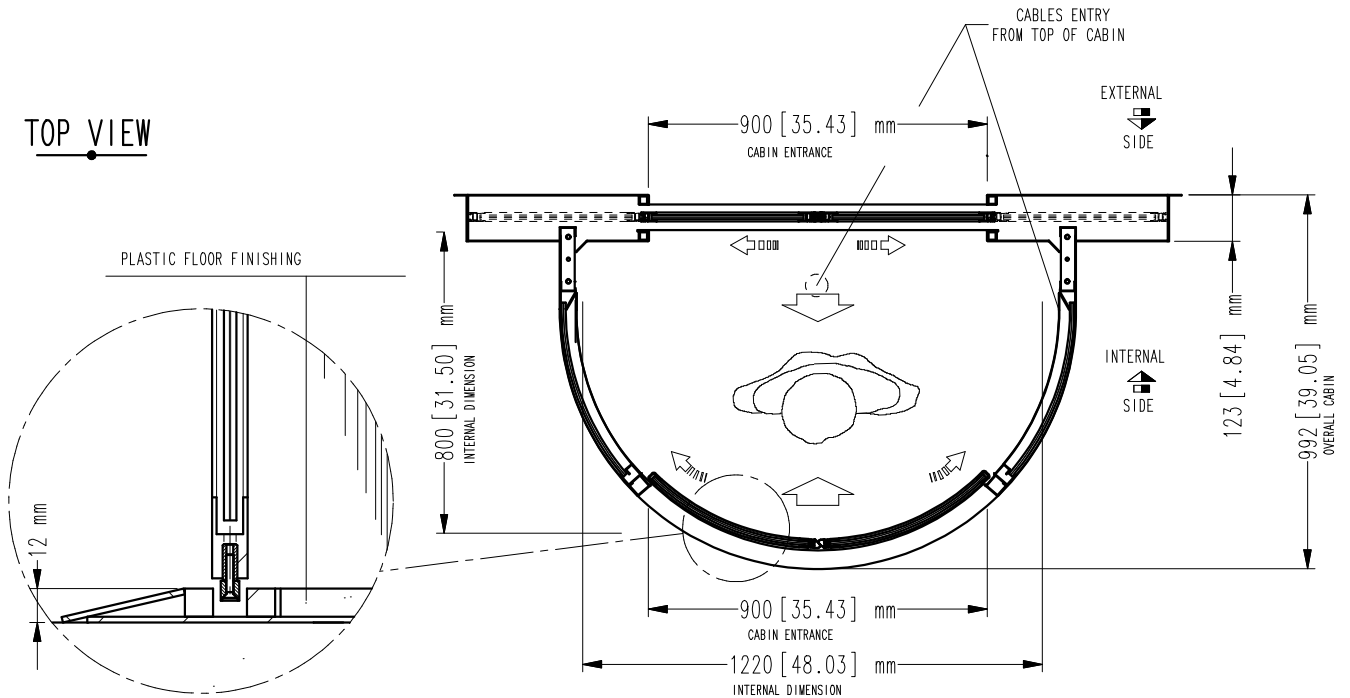
GENERAL CONSTRUCTION TOLERANCE: ± 5 mm [± 0.2 "]

INSTALLATION REQUIREMENT

SPACE FOR MAINTENANCE ABOVE TOP OF THE CABIN ON THE INTERNAL SIDE:
 *MIN. 300 mm [11.81"]
 *RECOMMENDED 750 mm [29.53"]

*if space does not meet the required specifications contact us to discuss alternatives

TOP VIEW



EARC-028	DRAWN BY	DATE			Cardea House Sidings Business Park Skipton BD23 1TB 01756 797727
	APPROVED BY	PRINTING SCALE			
PAGE 1 OF 1	ALLUSER	1:20	THIS DOCUMENT IS AN ALLUSER INDUSTRIE PROPERTY AND IT CANNOT BE COPIED OR TRANSFERRED TO THIRD PARTIES WITHOUT A PREVIOUS WRITTEN AUTHORIZATION. DUE TO OUR POLICY OF CONTINUOUS PRODUCT DEVELOPMENT, ALL DIMENSIONS AND SPECIFICATIONS DESCRIBED IN THIS DOCUMENT ARE SUBJECT TO CHANGE WITHOUT NOTICE.		
2	-	-	-	-	TITLE / DESCRIPTION
1	-	-	-	-	FPJ 140 - 2S
REV.	REVISION DESCRIPTION	DATE	DRAWN BY		Flush mounted to floor (no recess required) Overall dimensions and mechanical installation requirement