

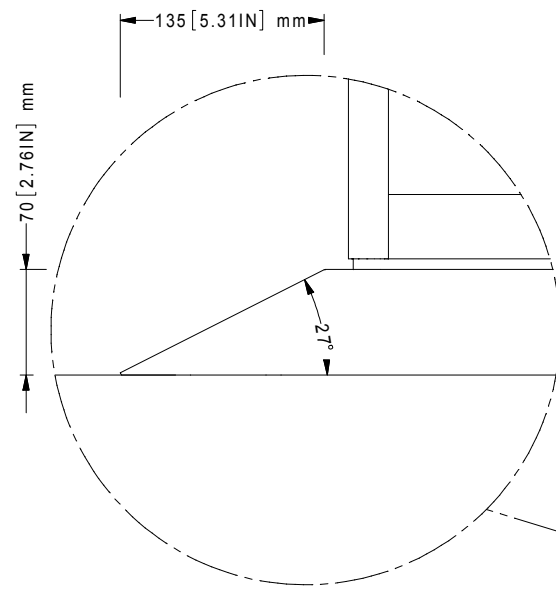
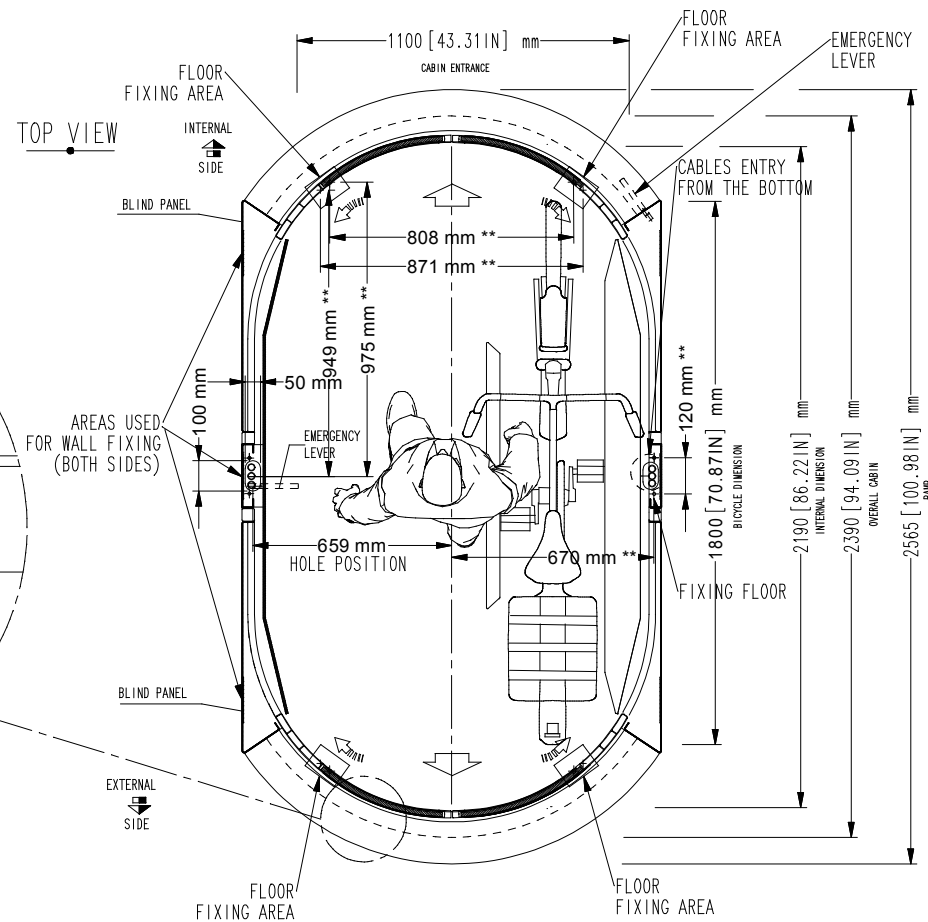
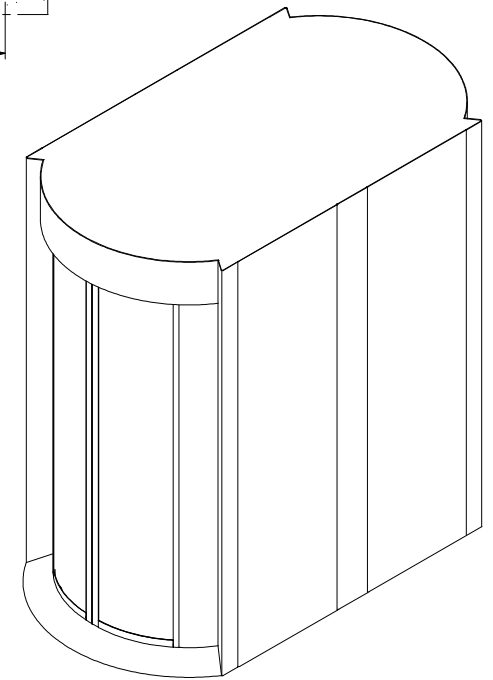
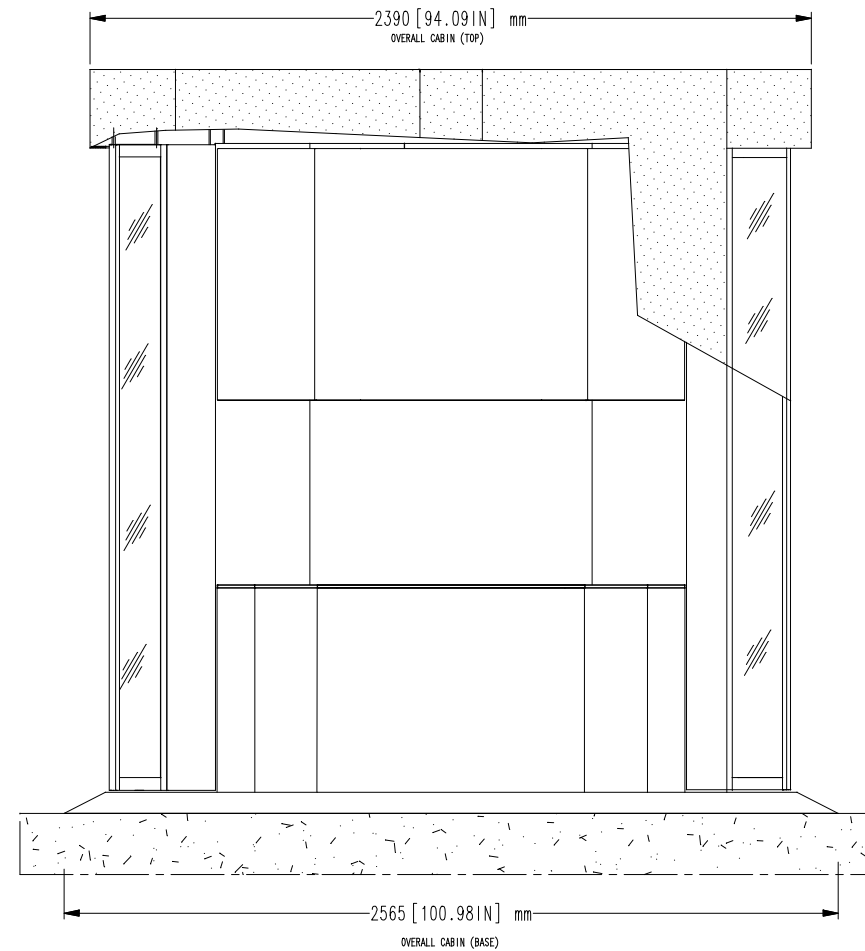
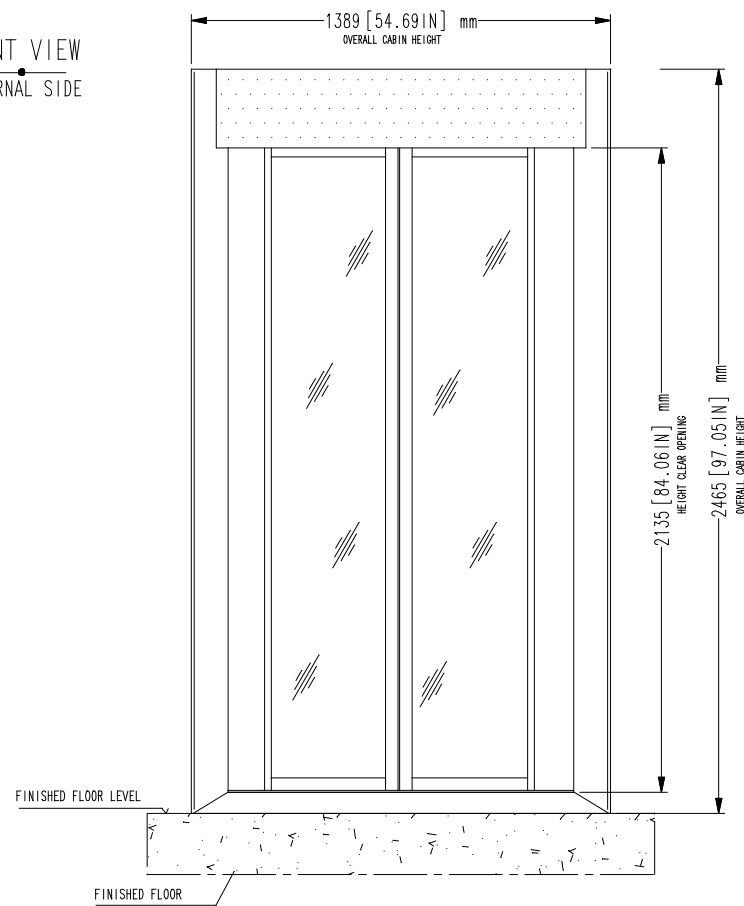
NOTE:
 CONSTRUCTION TOLERANCES:
 + 10 mm OVERALL FOR WIDTH
 +50 mm HEIGHT
 INSTALLATION REQUIREMENT
 SPACE FOR MAINTENANCE
 ABOVE TOP OF THE CABIN ON
 THE INTERNAL SIDE:
 *MIN. 300 mm [11.81"]
 *RECOMMENDED 750 mm [29.53"]
 *if space does not meet the
 required specifications contact
 us to discuss alternatives
 *unit must be fixed
 into suitable frame
 and finished by others

GENERAL DIMENSIONS TOLARANCE:
 ± 5 mm [± 0.2"]

NOTE:
 *unit must be installed on to a level
 floor (suggested flatness tolerance:
 ±1 mm)

** Please note that those dimensions
 are under revision therefore they are
 subject to possible modifications.

FRONT VIEW
 EXTERNAL SIDE



5	20/05/2016	GLASS SLIDING DOORS	ISABELLA
4	08/02/2016	IMPROVED DETAILS	ISABELLA
3	27/01/2016	CROSS SECTION VIEW ADDED	ISABELLA
2	31/07/2015	MODIFIED DIMENSIONS	isabella
1	29/05/2015	MODIFIED DIMENSIONS	isabella
REV	DATE	REVISION DESCRIPTION	DRAWN BY

alluser
 INDUSTRIE
 designed for your security

MEESONS
 SAFE SECURE ACCESS

Cardea House
 Sidings Business Park
 Sandylands
 Skipton
 BD23 1TB

DRAWN BY:
 ISABELLA

DATE:
 11/06/2014

TITLE/DESCRIPTION	DRAWING NUMBER:
FPJ 140 - 2HP/BICYCLE USE/INT.CABIN HEIGHT 7'	EARC270
Flush mounted to floor (no recess required) Overall dimensions and mechanical installation requirement	REVISION: 5
	SCALE: 1:25
	PAGE 1 OF 1

THIS DOCUMENT IS AN ALLUSER INDUSTRIE PROPERTY AND IT CANNOT BE COPIED OR TRANSFERRED TO THIRD PARTIES WITHOUT A PREVIOUS WRITTEN AUTHORIZATION.
 DUE TO OUR POLICY OF CONTINUOUS PRODUCT DEVELOPMENT, ALL DIMENSIONS AND SPECIFICATIONS DESCRIBED IN THIS DOCUMENT ARE SUBJECT TO CHANGE WITHOUT NOTICE.