

NOTE:

GENERAL CONSTRUCTION
TOLERANCE: $\pm 5 \text{ mm}$ [$\pm 0.2"$]

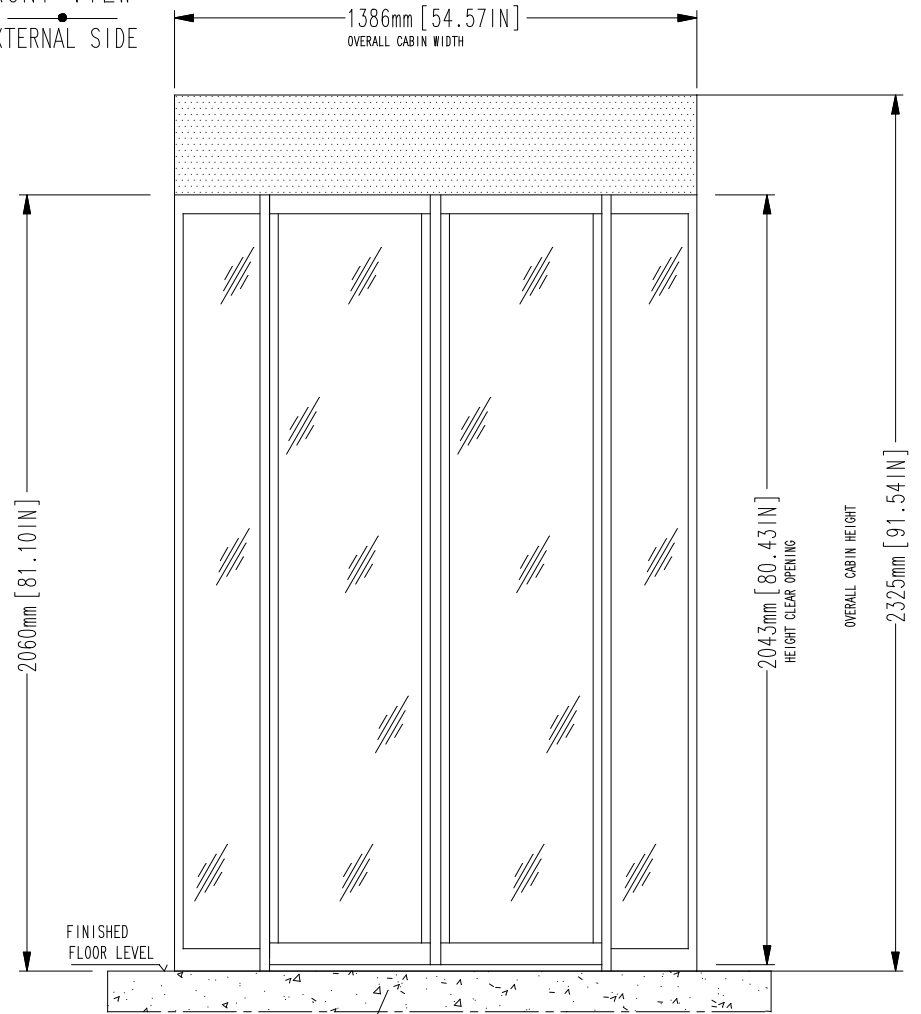
INSTALLATION REQUIREMENT

SPACE FOR MAINTENANCE
ABOVE TOP OF THE CABIN ON
THE INTERNAL SIDE:

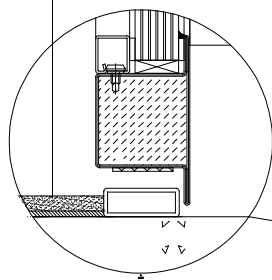
- *MIN. 300 mm [11.81"]
- *RECOMMENDED 750 mm [29.53"]

*if space does not meet the
required specifications contact
us to discuss alternatives

FRONT VIEW
EXTERNAL SIDE



PLASTIC FLOOR FINISHING

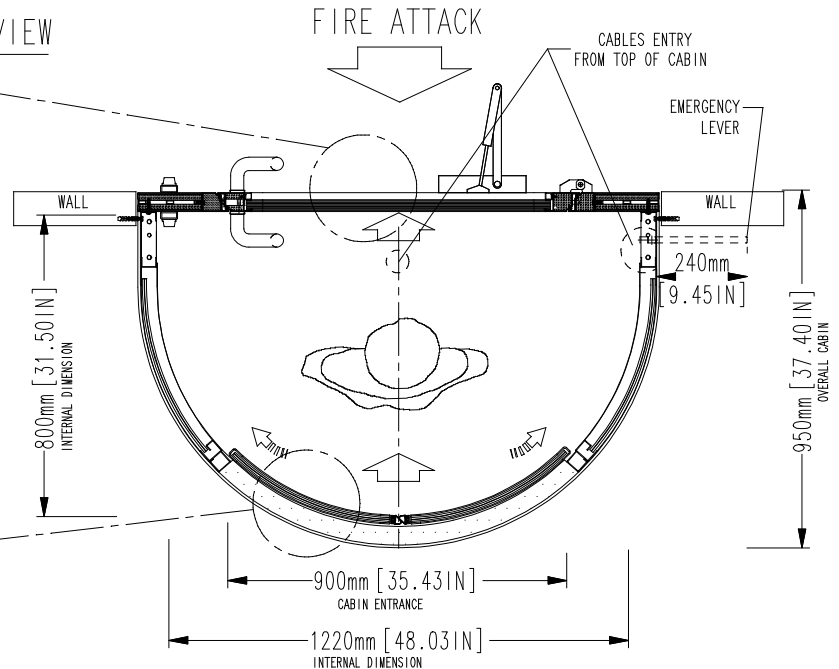


15mm [0.59IN]

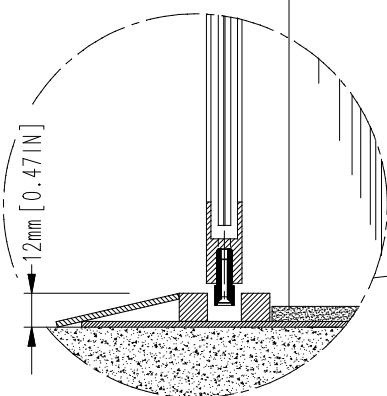
TOP VIEW

INTERNAL
SIDE

EXTERNAL
SIDE



PLASTIC FLOOR FINISHING



DRAWING NUMBER

EARC-317

PAGE 1 OF 1

DRAWN BY

L. BERTAZZO

APPROVED BY

ALLUSER

DATE

09/11/2015

PRINTING SCALE

1:20

alluser
INDUSTRIE

designed for your security

THIS DOCUMENT IS AN ALLUSER INDUSTRIE PROPERTY AND IT CANNOT BE COPIED OR TRANSFERRED TO THIRD PARTIES WITHOUT A PREVIOUS WRITTEN AUTHORIZATION. DUE TO OUR POLICY OF CONTINUOUS PRODUCT DEVELOPMENT, ALL DIMENSIONS AND SPECIFICATIONS DESCRIBED IN THIS DOCUMENT ARE SUBJECT TO CHANGE WITHOUT NOTICE.

MEESONS
SAFE SECURE ACCESS

Cardea House
Sidings Business Park
Skipton
BD23 1TB
01756 797727

2	-	-	-
1			
REV.	REVISION DESCRIPTION	DATE	DRAWN BY

TITLE / DESCRIPTION	
FPJ 140 - 1A, FLAT SIDE EI 120	
Flush mounted to floor (no recess required)	
Overall dimensions and mechanical installation requirement	