

C190 Security Portal

DIMENSIONS

External Diameter: 1911mm
 Internal Diameter: 1760mm
 Entrance Width: 1200mm
 Internal Height: 2300mm
 External Height: 2530mm

Typical Weight Guideline: 1380 - 2000kg

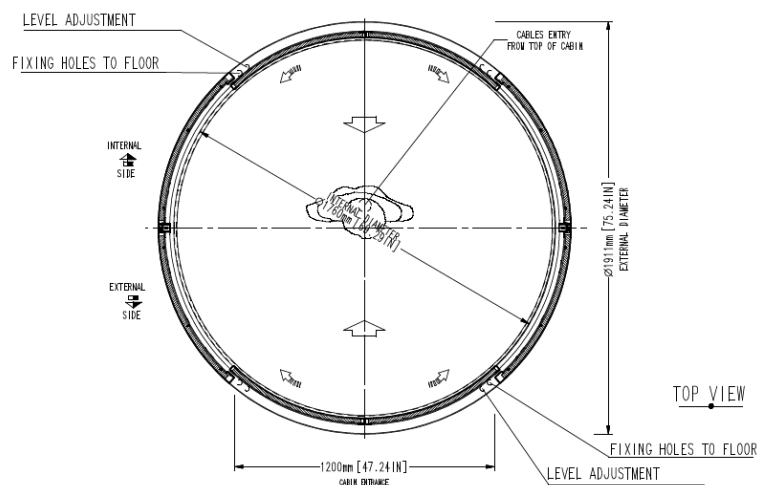
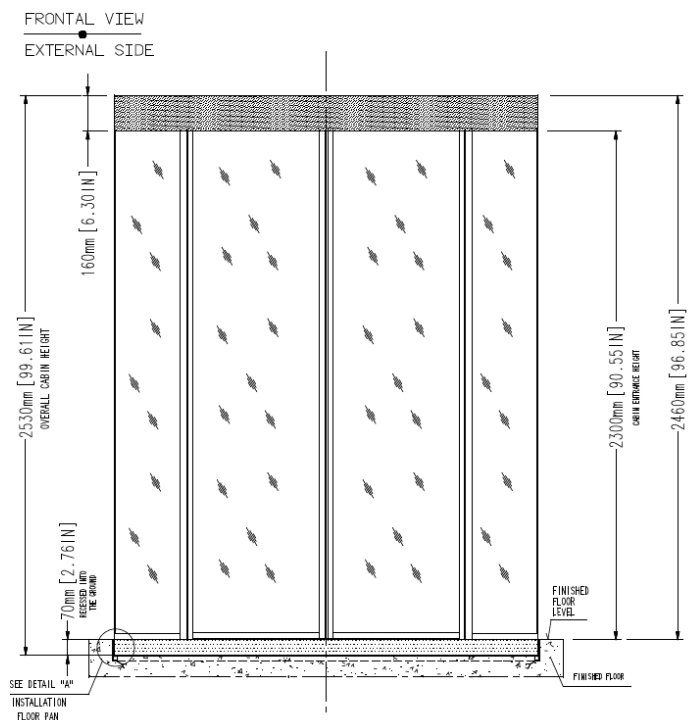
POWER SUPPLY

Input: 110 / 230 VAC
 (EMI Filter included)
 Output: 24 Vdc, 7 A/hour
 Average Power consumption: 35 watt
 (per hour of continuous operation)
 Max Power consumption: 150 watt
 Emergency Battery Back-up: 6-8 hours
 Metallic Structure: Steel 30 / 10

MOTORS

Reversible motors with permanent magnet, working power of 24 Vdc, provided with an encoder for the continuous control of the door position. Doors are provided with electronic control of motor torque for door safety stop in presence of an obstacle.

Product Name	Security Rating	Certification Ref Number	Type of Glass
C190-S1	SR1	1479a/01	Vandal resistant: P4A EN 356
C190-S2	SR2	1479a/02	Vandal resistant: P4A EN 356 Attack resistant: P8B EN 356 Bullet resistant: BR3/S EN 1063
C190-S3	SR3	1479a/03	Attack resistant: P8B EN 356 Bullet resistant: BR3/S EN 1063



C190-S1 to S3 Portals
 Approved to LPS1175: Issue 7
 Security Ratings 1 to 3
 Cert/LPCB Ref. 1479a



Features

● Standard Feature ○ Cost Option - Not Available

VERSIONS AVAILABLE

- S Version with 70mm base
- K Version with 70mm base
- R Version with 12mm base
- Extended height
- LPS 1175 SR1
- LPS 1175 SR2
- LPS 1175 SR3

SAFETY FEATURES

- Anti slip floor mat
- Emergency unlocking device
- Fail Secure
- IR safety sensors
- Internal LED light
- Fire alarm signal

SECURITY RATINGS

- FB2/NS EN 1522 Top Canopy
- FB4/NS EN 1522 Metal Structure

GLASS OPTIONS

- Vandal Resistant glass P4B- EN356
- Attack Resistant glass P8B- EN356
- Bullet Resistant glass BR3s-EN1063

CONTROL

- Control Panel
- Service Mode Key switch
- Additional control panel
- Night Lock

OUTER FINISHING

- RAL colours (sliding door frames RAL 9005-black)
- Polished stainless steel
- Brushed stainless steel
- Aluminium

DETECTION DEVICES

- Infrared presence sensors
- APD - Anti Piggybacking Device
- Pressure mat
- 2 Zone Pressure Mat
- Reed Door Position Tamper Sensor: EN 61000-6-3:2007+A1:2011, EN 50130-4:2011, EN50131-2-6:2008

PUSH BUTTON, SIGNALS & REMOTE ACCESS

- Intercom (included in the traffic light)
- LED Traffic lights
- Web Lan Control

EMERGENCY EXIT OPTIONS

- Secure side mechanical emergency unlocking device
- Extra Emergency Lever

All Security portal are to be fixed in to the floor through the base of the portal, and on the sides to provide a good stability during security portals operation (it is not a free standing device).

As our policy is to continually improve the products we offer, we reserve the right to amend specifications without prior notice. Further product drawings are available on request