

**NOTE:**

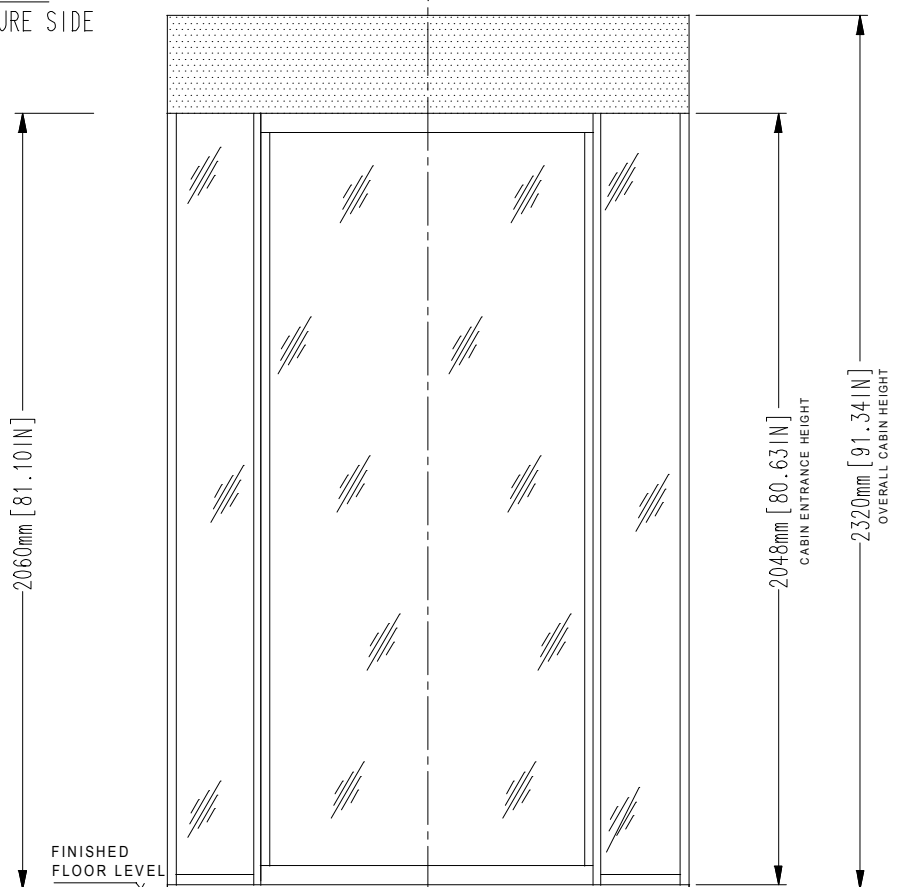
GENERAL CONSTRUCTION  
TOLERANCE: ± 5 mm [± 0.2"]

**INSTALLATION REQUIREMENT**

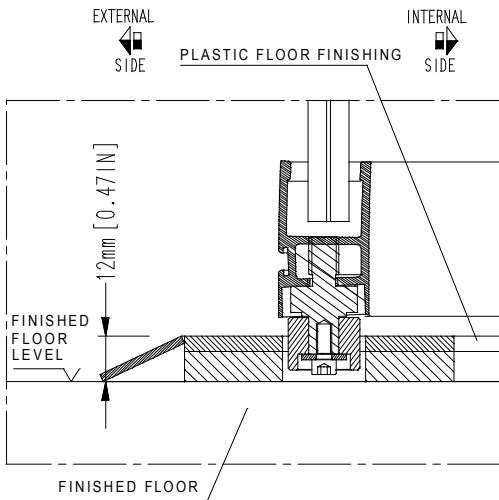
SPACE FOR MAINTENANCE  
ABOVE TOP OF THE CABIN ON  
THE INTERNAL SIDE:  
\*MIN. 300 mm [11.81"]  
\*RECOMMENDED 750 mm [29.53"]

\*if space does not meet the  
required specifications contact  
us to discuss alternatives

**FRONT VIEW**  
NON SECURE SIDE



**DETAIL 'A'**

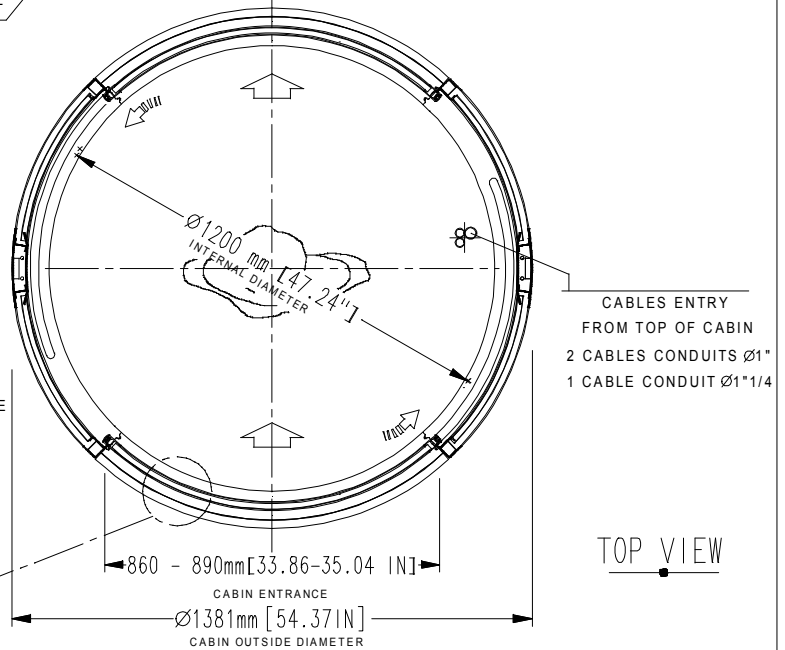


**NOTE:**  
- unit must be installed on to a level floor  
(suggested flatness tolerance: ±1 mm)  
- coating option: 2 mm thickness in  
addition to size

FLOOR LEVEL

NON SECURE  
SIDE

SEE DETAIL 'A'



**TOP VIEW**

3	14/02/2019	UPDATED CABIN ENTRANCE QUOTE	L.BERTAZZO
2	20/06/2018	UPDATED FONT	L.BERTAZZO
1	09/06/2017	TITLE BLOCK MODIFIED	L.BERTAZZO
REV	DATE	REVISION DESCRIPTION	DRAWN BY
DRAWN BY: ISABELLA		DESIGNED AND MANUFACTURED BY: <b>alluser</b> INDUSTRIE designed for your security	DISTRIBUTED BY: <b>MEESONS</b> SAFE SECURE ACCESS Cardea House Sidings Business Park Skipton North Yorkshire BD23 1TB 0870 787 7846
DATE: 25/11/2016			
DRAWING NUMBER: EARC363			
REVISION: 3	TITLE/DESCRIPTION		<i>Flush mounted to floor (no recess required)</i> <i>Overall dimensions and mechanical installation requirement</i>
SCALE: 1:20	C3R-C3KR MY16/2 DOORS		
PAGE 1 OF 1			

THIS DOCUMENT IS AN ALLUSER INDUSTRIE PROPERTY AND IT CANNOT BE COPIED OR TRANSFERRED TO THIRD PARTIES WITHOUT A PREVIOUS WRITTEN AUTHORIZATION. DUE TO OUR POLICY OF CONTINUOUS PRODUCT DEVELOPMENT, ALL DIMENSIONS AND SPECIFICATIONS DESCRIBED IN THIS DOCUMENT ARE SUBJECT TO CHANGE WITHOUT NOTICE.