

**NOTE:**

**GENERAL CONSTRUCTION TOLERANCE: ± 5 mm [± 0.2"]**

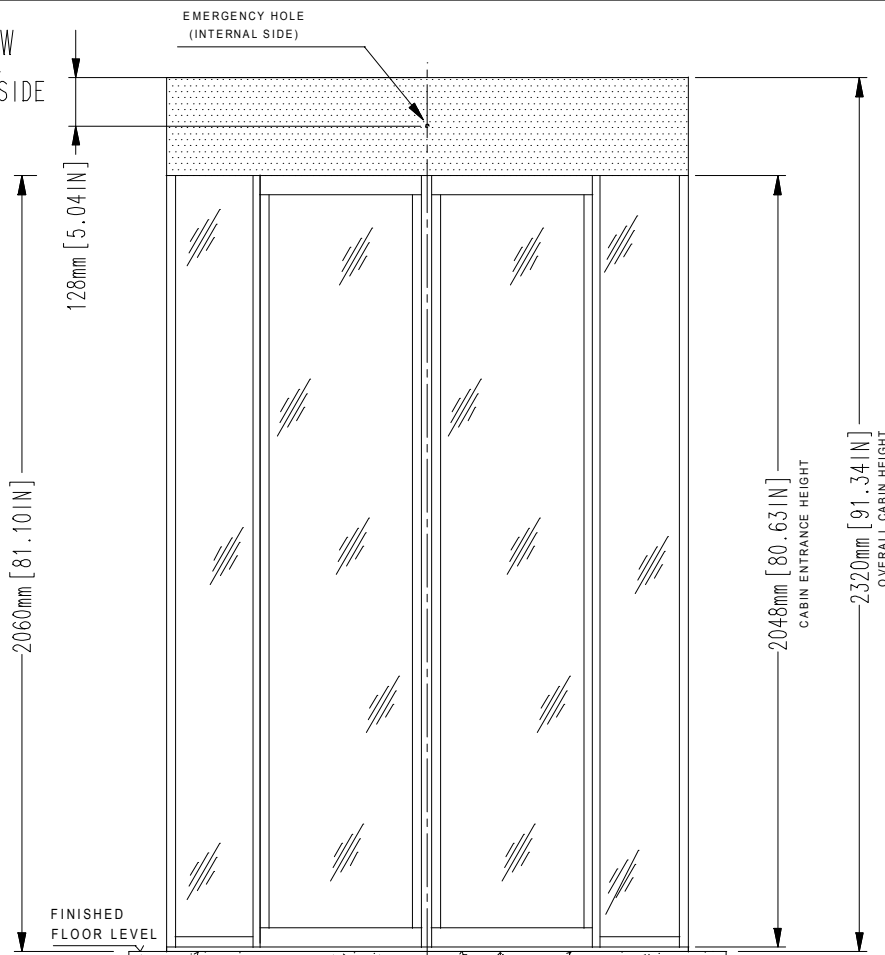
**INSTALLATION REQUIREMENT**

**SPACE FOR MAINTENANCE ABOVE TOP OF THE CABIN ON THE INTERNAL SIDE:**

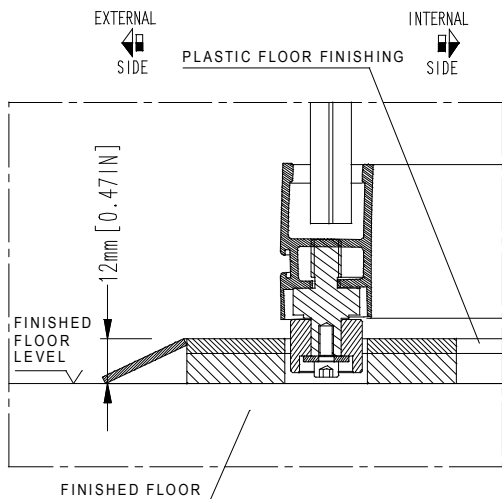
- \*MIN. 300 mm [11.81"]
- \*RECOMMENDED 750 mm [29.53"]

\*if space does not meet the required specifications contact us to discuss alternatives

**FRONT VIEW**  
NON SECURE SIDE

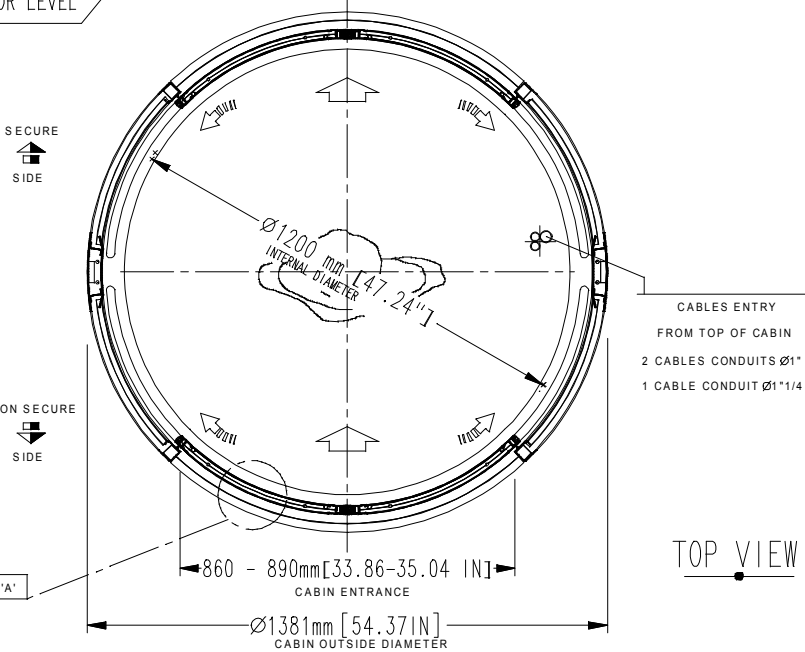


**DETAIL 'A'**



**NOTE:**

- unit must be installed on to a level floor (suggested flatness tolerance: ±1 mm)
- coating option: 2 mm thickness in addition to size



4	14/02/2019	UPDATED CABIN ENTRANCE QUOTE	L.BERTAZZO
3	20/06/2018	UPDATED FONT	L.BERTAZZO
2	09/06/2017	TITLE BLOCK MODIFIED	L.BERTAZZO
REV	DATE	REVISION DESCRIPTION	DRAWN BY
DRAWN BY: <b>ISABELLA</b>		DESIGNED AND MANUFACTURED BY: <b>aalluser</b> INDUSTRIE designed for your security	DISTRIBUTED BY: <b>MEESONS</b> SAFE SECURE ACCESS Cardea House Sidings Business Park Skipton North Yorkshire BD23 1TB 0870 787 7846
DATE: 22/01/2016			
DRAWING NUMBER: EARC313			
REVISION: 4	TITLE/DESCRIPTION		<i>Flush mounted to floor (no recess required)</i> <i>Overall dimensions and mechanical installation requirement</i>
SCALE: 1:20	<b>C3R-C3KR MY16/4 DOORS</b>		
PAGE 1 OF 1			

THIS DOCUMENT IS AN ALLUSER INDUSTRIE PROPERTY AND IT CANNOT BE COPIED OR TRANSFERRED TO THIRD PARTIES WITHOUT A PREVIOUS WRITTEN AUTHORIZATION. DUE TO OUR POLICY OF CONTINUOUS PRODUCT DEVELOPMENT, ALL DIMENSIONS AND SPECIFICATIONS DESCRIBED IN THIS DOCUMENT ARE SUBJECT TO CHANGE WITHOUT NOTICE.