

NOTE:

CONSTRUCTION TOLERANCES:

+10 mm OVERALL FOR WIDTH
+50 mm HEIGHT

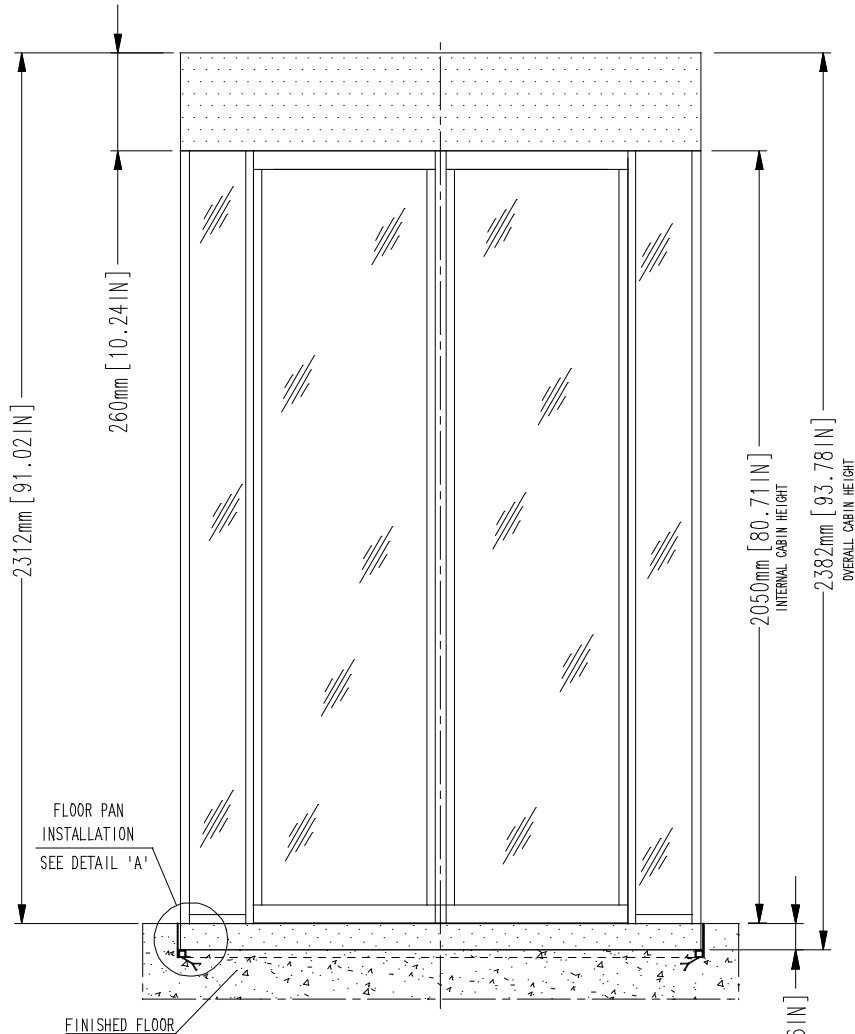
INSTALLATION REQUIREMENT

SPACE FOR MAINTENANCE
ABOVE TOP OF THE CABIN ON
THE INTERNAL SIDE:

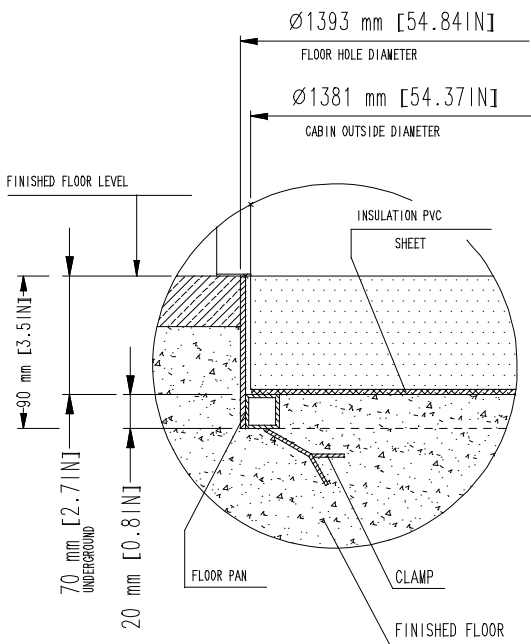
- MIN. 300 mm [11.81"]
- RECOMMENDED 750 mm [29.53"]
- If space does not meet the required specifications contact us to discuss alternatives

-Unit must be fixed into suitable frame and finished by others

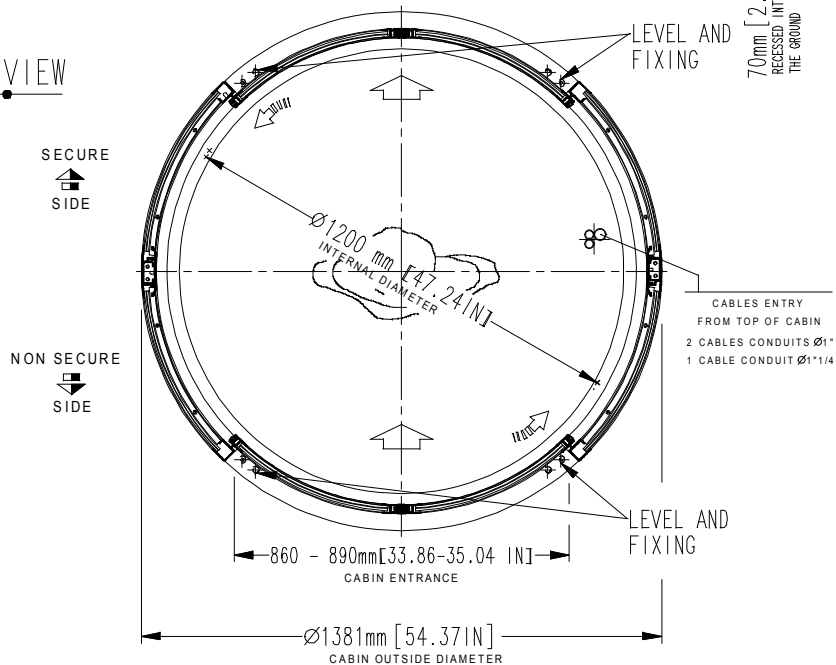
FRONT VIEW
NON SECURE SIDE



DETAIL 'A'
FLOOR PAN DETAIL



TOP VIEW



NOTE:

- unit must be installed on to a level floor (suggested flatness tolerance: ±1 mm)
- coating option: 2 mm thickness in addition to size

REV	DATE	REVISION DESCRIPTION	DRAWN BY
		DESIGNED AND MANUFACTURED BY: aalluser INDUSTRIE designed for your security	Cardea House Sidings Business Park Skipton North Yorkshire BD23 1TB 0870 787 7846
		TITLE/DESCRIPTION C3 - C3K MY16/4 DOORS	MEESONS SAFE SECURE ACCESS
			<i>Cabin recessed into the floor (ramp or floor pan required)</i> <i>Overall dimensions and mechanical installation requirement</i>
<p>THIS DOCUMENT IS AN ALLUSER INDUSTRIE PROPERTY AND IT CANNOT BE COPIED OR TRANSFERRED TO THIRD PARTIES WITHOUT A PREVIOUS WRITTEN AUTHORIZATION. DUE TO OUR POLICY OF CONTINUOUS PRODUCT DEVELOPMENT, ALL DIMENSIONS AND SPECIFICATIONS DESCRIBED IN THIS DOCUMENT ARE SUBJECT TO CHANGE WITHOUT NOTICE.</p>			