

NOTE:

GENERAL CONSTRUCTION
TOLERANCE: ± 5 mm [± 0.2"]

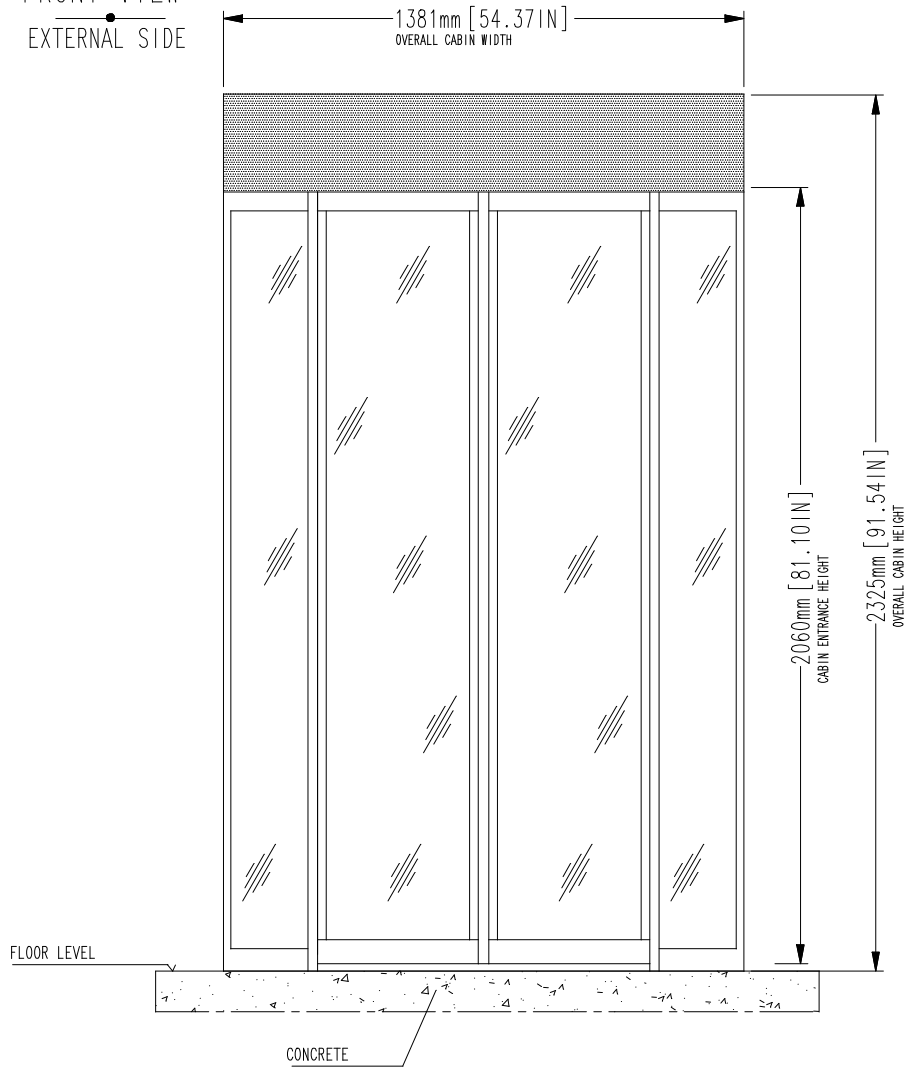
INSTALLATION REQUIREMENT

SPACE FOR MAINTENANCE
ABOVE TOP OF THE CABIN ON
THE INTERNAL SIDE:

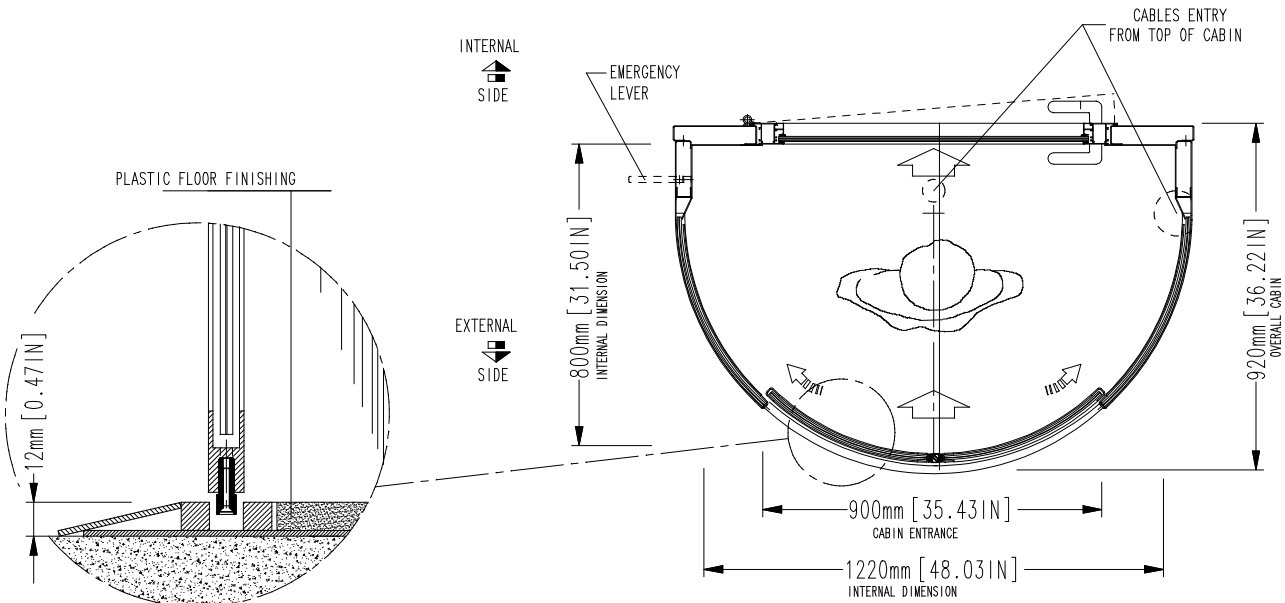
- *MIN. 300 mm [11.81"]
- *RECOMMENDED 750 mm [29.53"]

*if space does not meet the
required specifications contact
us to discuss alternatives

FRONT VIEW
EXTERNAL SIDE



TOP VIEW



DRAWING NUMBER

EARC-041

PAGE 1 OF 1

DRAWN BY

S. Bettinelli

APPROVED BY

ALLUSER

DATE

19/06/06

PRINTING SCALE

1:20

alluser
INDUSTRIE
designed for your security

MEESONS
SAFE SECURE ACCESS

Cardea House
Sidings Business Park
Skipton
BD23 1TB
01756 797727

THIS DOCUMENT IS AN ALLUSER INDUSTRIE PROPERTY AND IT CANNOT BE COPIED OR TRANSFERRED TO THIRD PARTIES WITHOUT A PREVIOUS WRITTEN AUTHORIZATION. DUE TO OUR POLICY OF CONTINUOUS PRODUCT DEVELOPMENT, ALL DIMENSIONS AND SPECIFICATIONS DESCRIBED IN THIS DOCUMENT ARE SUBJECT TO CHANGE WITHOUT NOTICE.

2	-	-	-
1	-	-	-
REV.	REVISION DESCRIPTION	DATE	DRAWN BY

TITLE / DESCRIPTION
FPJ 140 - 1A
Flush mounted to floor (no recess required)
Overall dimensions and mechanical installation requirement