

EasyGate Elite

The Easygate Elite is the latest in speed gate innovation combining high security and style in an elegant slimline design. The modern, minimal brushed stainless steel construction makes the EasyGate Elite a focal point for any reception or office environment.

MAIN FEATURES

- Minimal sleek construction
- Elegant slim cabinet design: 120mm width
- Designed to cope with a high level of throughput
- High Glass wings for increased security*
* Optional upgrade

DIMENSIONS

Cabinet height: 990mm
Cabinet length: 1400mm
Cabinet width: 120mm
Barrier height: 990-1800mm

PASSAGE WIDTH

1 wing

Standard width: 550mm
Max Passage width: 600mm

2 wings

Standard width: 650mm
Max Passage width: 1050mm

BASE AND HOUSING

Brushed Stainless Steel (AISI 304)

TOP LID

Black Glass Panel

BARRIER

Glass Wing (10mm, tempered)

SIDE INFILL PANEL

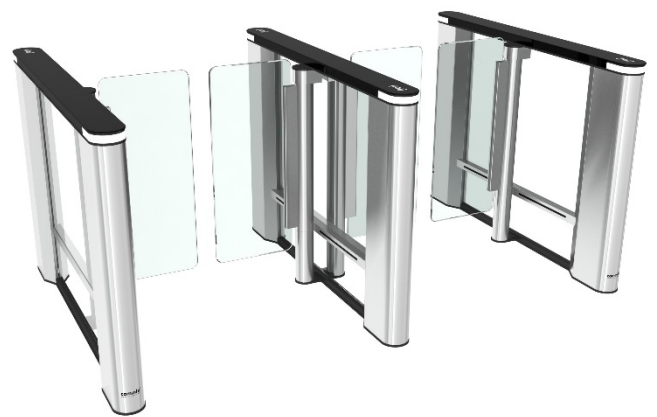
6mm tempered glass

POWER SUPPLY

13.8V DC/ 24V AC/ 230V AC

COMMUNICATION INTERFACE

RS-485/ USB/ Ethernet



NUMBER OF SENSORS

30 pairs

TAILGATING AND CROSS OVER DETECTION

Yes

CLIMB OVER DETECTION

Yes - electronic detection

RANGE OF OPERATING TEMPERATURE

+10°C to +50°C
-25°C to +50°C with heating module

OPERATING ENVIRONMENT

Indoor

EMERGENCY MODE

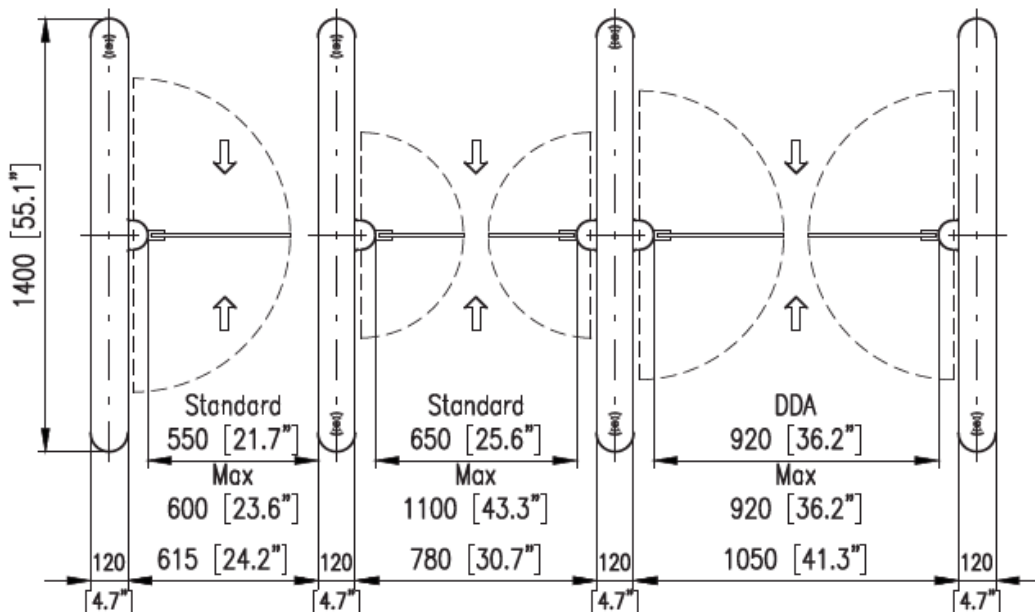
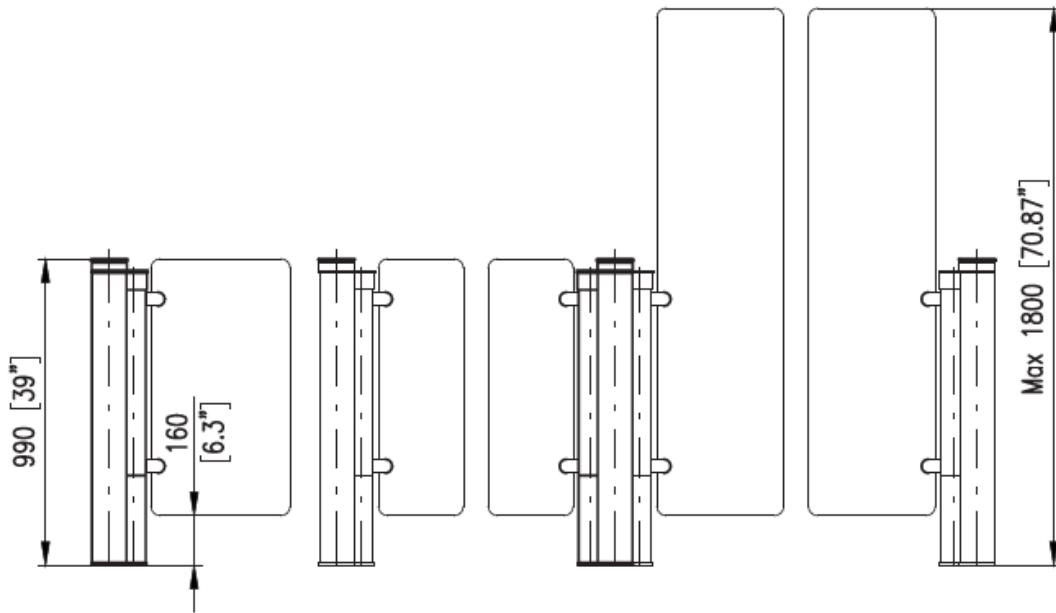
Open manually or automatically
(with power backup)

BRAKE CONTROL FUNCTION

Maximum brake force 650N
(configurable to suit needs)

OPTIONAL ACCESSORIES

- Edge light
- Wing light
- Hinge capping
- Custom Top Lid – Wood/ Stone/ Corian
- Custom Base and Housing – RAL powder coated steel. Black/ Gold/ Bronze stainless steel
- Stainless steel infill panels
- Low iron glass wings
- WAV Player – audible notifications



As our policy is to continually improve the products we offer, we reserve the right to amend specifications without prior notice. Further product drawings are available on request