

# BAR EK

The BAR EK is a classic tripod turnstile finished in brushed stainless steel. It's compact design makes it ideal for installations where space is restricted and high throughput is required. The robust high quality finish of the BAR EK turnstile ensures it can be used for internal and external applications.

## MAIN FEATURES

- Compact space saving design
- Wall mounted option available\*
- Emergency drop arm to allow free passage\*
- Automatically adapts the rotation speed to suit the users

\*Optional Feature

## DIMENSIONS

Cabinet height: 1100mm  
Cabinet length: 450mm  
Cabinet width: 320mm

## PASSAGE WIDTH

Standard width: 550mm  
Max passage width: 570mm

## NUMBER OF ARMS

Tripod Arms Ø 40mm

## BASE AND HOUSING

Brushed stainless steel

## TOP LID

Brushed stainless steel

## BARRIER

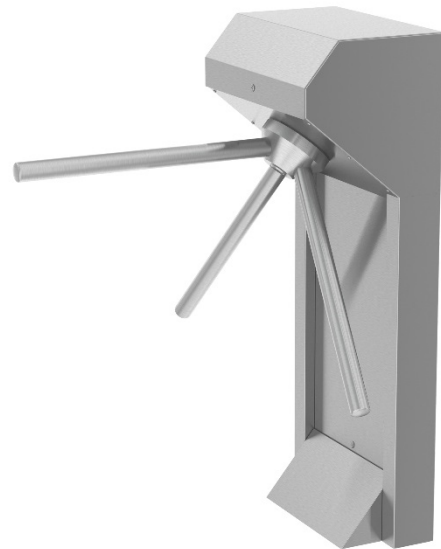
Brushed stainless steel

## POWER SUPPLY

13.8V DC/ 24V AC/ 230V AC

## COMMUNICATION INTERFACE

RS485/ USB/ Ethernet



## CRAWL UNDER AND CLIMBOVER DETECTION

Yes - electronic detection\*

## RANGE OF OPERATING TEMPERATURE

-25°C to +60°C\*

## OPERATING ENVIRONMENT

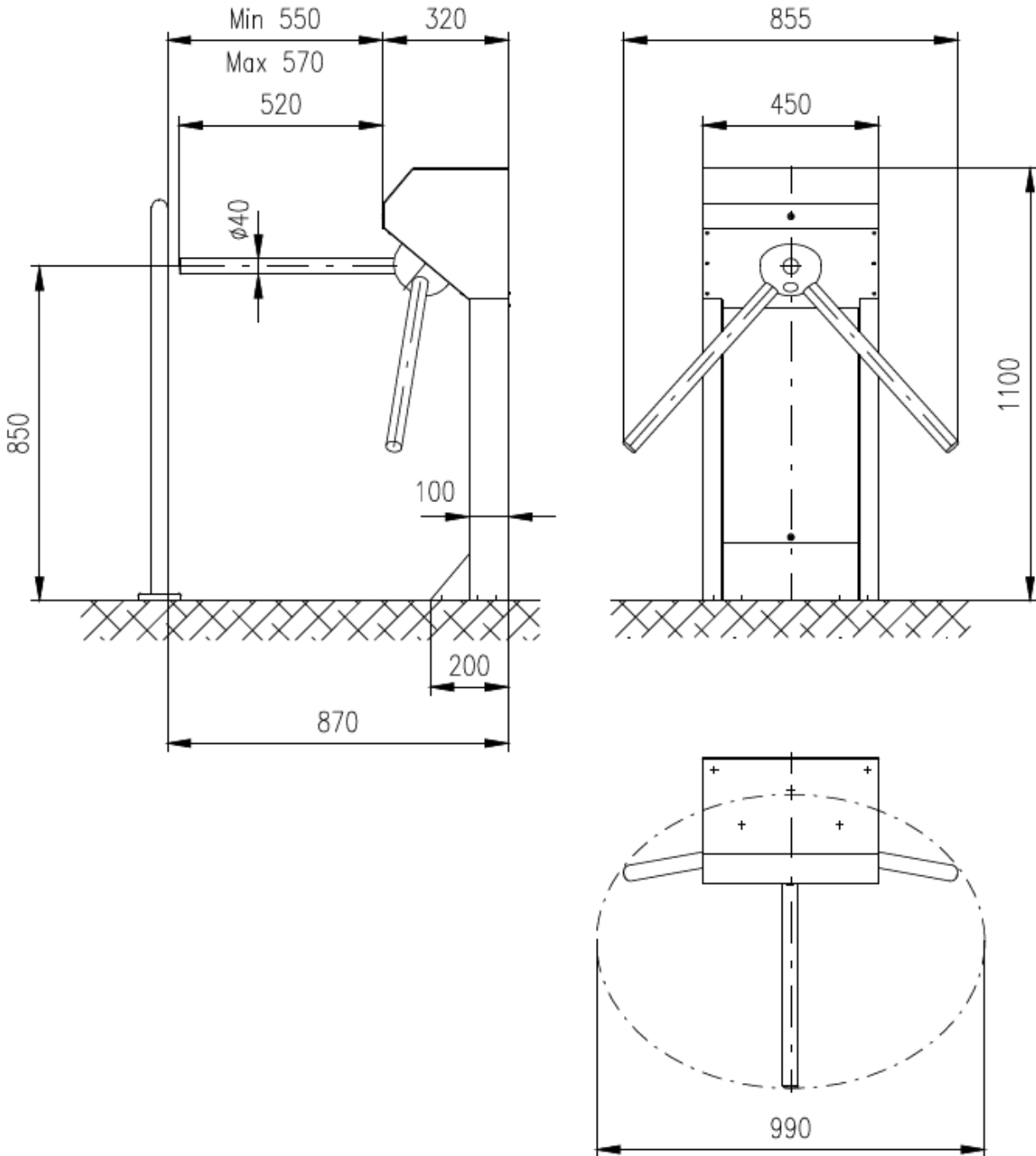
Indoor / Outdoor\*

## EMERGENCY MODE

On receipt of signal the arms will rotate to allow free passage (with optional power back-up)

**OPTIONAL ACCESSORIES**

- RFID reader bracket
- Emergency drop arm
- LED lane light
- Outdoor package
- WAV player
- Infrared anti climb sensors
- Easy Touch/ Touch Panel
- Supercapacitor
- Alternative surface finishes
- Ramp LT
- Arm protector
- BAR EC/ EK-Wall optional



As our policy is to continually improve the products we offer, we reserve the right to amend specifications without prior notice. Further product drawings are available on request