

BAR ONE Tripod

The BAR ONE Tripod is a modern half height tripod turnstile solution. The space saving design provides a compact anti-tailgating solution. The MDD motor drive allows for an increased number of transits making it ideal for high traffic environments where secure access is required.

MAIN FEATURES

- High throughput tripod
- Low maintenance motor drive
- Silent and smooth operation
- Space saving cabinet design

*Optional feature

DIMENSIONS

Cabinet height: 990mm
Cabinet length: 990mm
Cabinet width: 210mm

PASSAGE WIDTH

Standard width: 550mm
Max passage width: 570mm

NUMBER OF ARMS

Single Arm Ø 40mm

BASE AND HOUSING

Brushed Stainless Steel

TOP LID

Brushed Stainless Steel with plastic ends

BARRIER

Brushed stainless steel

POWER SUPPLY

13.8V DC/ 24V AC/ 230V AC

COMMUNICATION INTERFACE

RS485/ USB/ Ethernet



CRAWL UNDER AND CLIMBOVER DETECTION

Yes - electronic detection*

RANGE OF OPERATING TEMPERATURE

-25°C to +60°C*

OPERATING ENVIRONMENT

Indoor / Outdoor*

EMERGENCY MODE

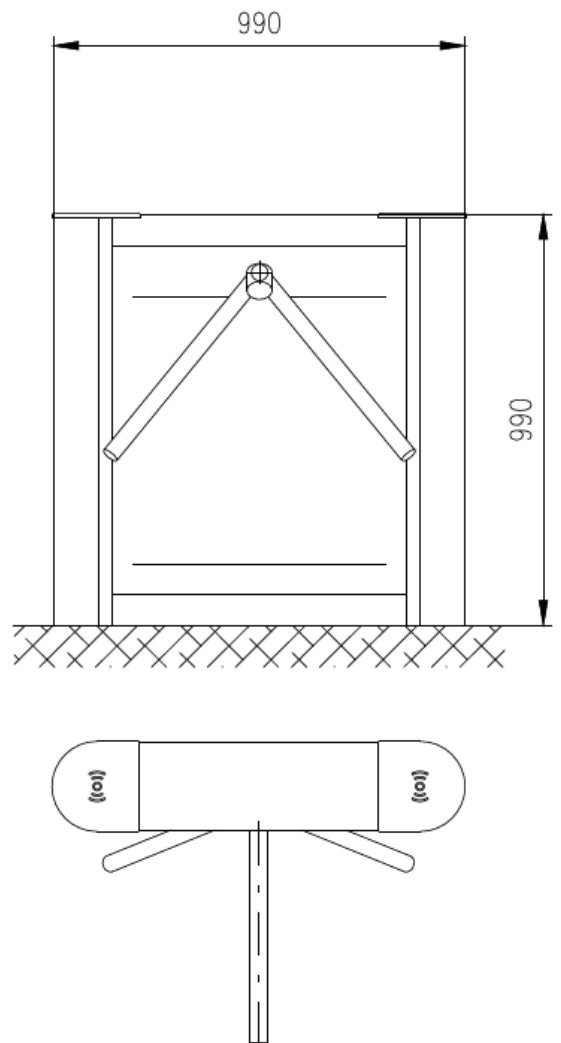
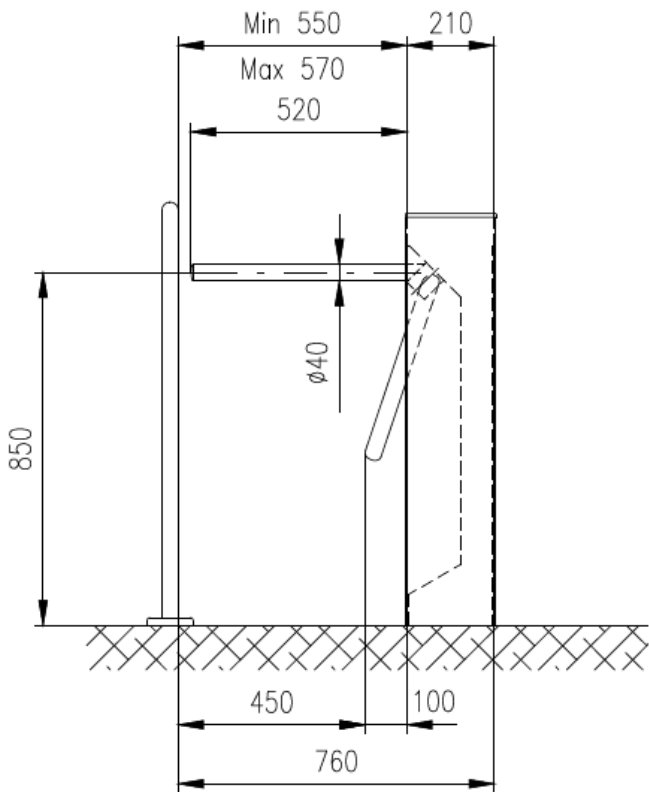
On receipt of signal the arms will rotate to allow free passage (with optional power back-up)

BRAKE CONTROL FUNCTION

Hardened tooth lock break

OPTIONAL ACCESSORIES

- RFID reader bracket
- Access light
- LED lane light
- Outdoor package
- WAV player
- Infrared anti climb sensors
- Easy Touch/ Touch Panel
- Supercapacitor
- Alternative surface finishes
- Optional top finishes
- Ramp LT
- Arm protector



As our policy is to continually improve the products we offer, we reserve the right to amend specifications without prior notice. Further product drawings are available on request