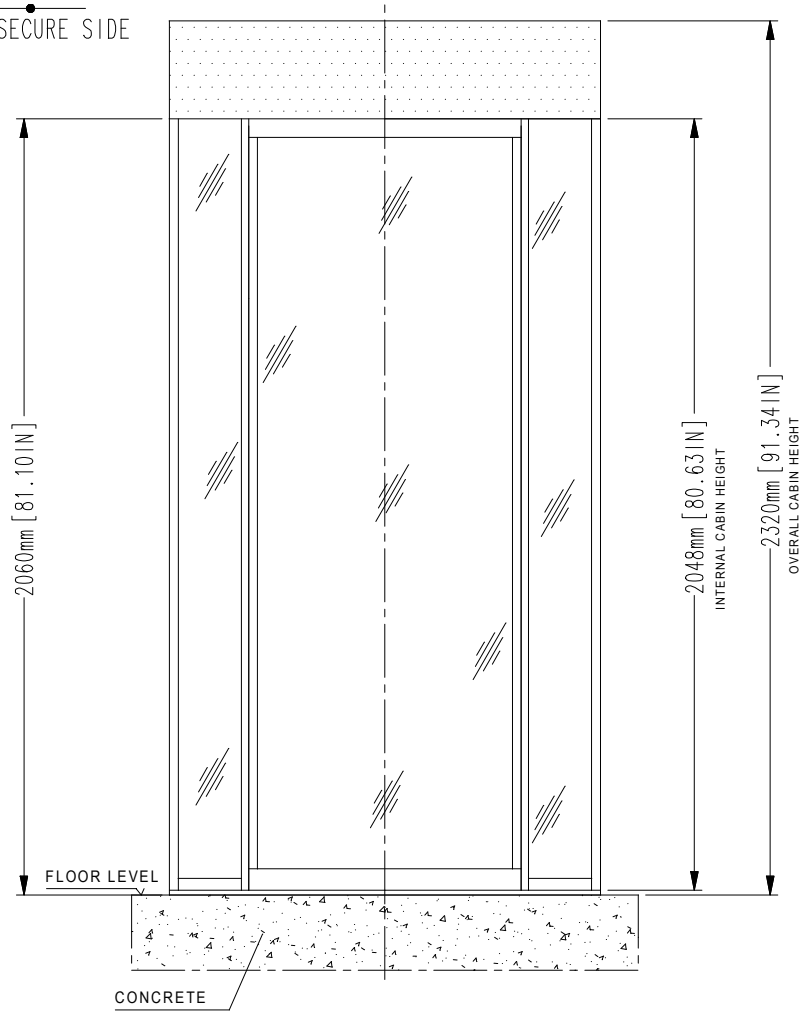
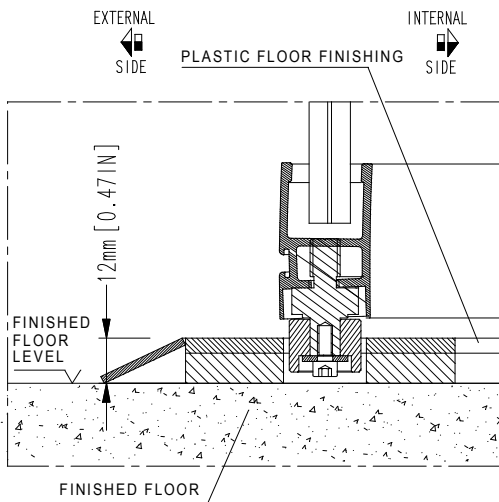


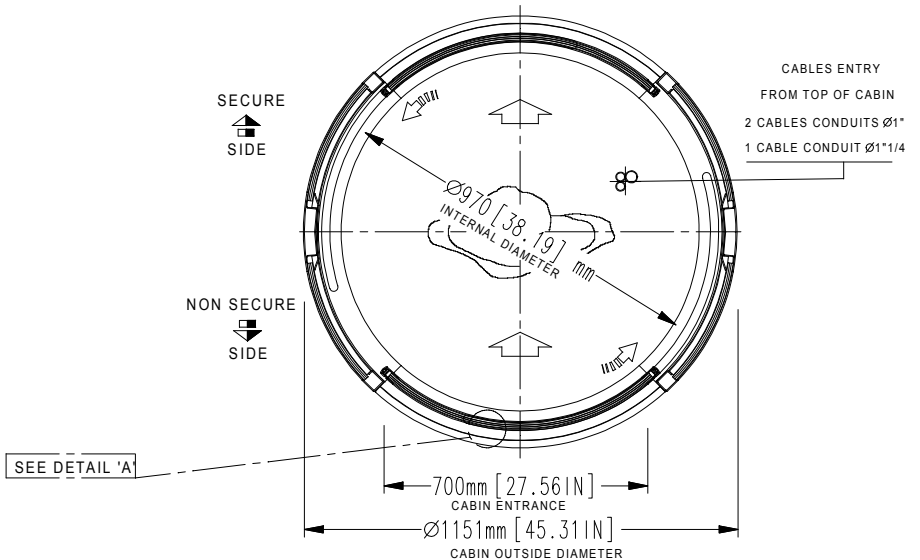
FRONT VIEW
NON SECURE SIDE



DETAIL 'A'



TOP VIEW



NOTE:
GENERAL CONSTRUCTION TOLERANCE: $\pm 5 \text{ mm}$ [± 0.2 "]
INSTALLATION REQUIREMENT
SPACE FOR MAINTENANCE ABOVE TOP OF THE CABIN ON THE INTERNAL SIDE:
*MIN. 300 mm [11.81"]
*RECOMMENDED 750 mm [29.53"]

*if space does not meet the required specifications contact us to discuss alternatives

NOTE:
- unit must be installed on to a level floor (suggested flatness tolerance: $\pm 1 \text{ mm}$)
- coating option: 2 mm thickness in addition to size

3	20/06/2018	UPDATED TOP VIEW	loris
3	20/06/2018	UPDATED TOP VIEW	loris
1	09/06/2017	TITLE BLOCK MODIFIED	loris
REV	DATE	REVISION DESCRIPTION	DRAWN BY
DRAWN BY: L. BERTAZZO		DESIGNED AND MANUFACTURED BY: alluser INDUSTRIE designed for your security	DISTRIBUTED BY: MEESONS SAFE SECURE ACCESS Cardea House Sidings Business Park Skipton North Yorkshire BD23 1TB 0870 787 7846
DATE: 20/06/2018		TITLE/DESCRIPTION C2R-C2KR MY16	<i>Flush mounted to floor (no recess required)</i> <i>Overall dimensions and mechanical installation requirement</i>
DRAWING NUMBER: EARC356			
REVISION: 3			
SCALE: 1:20			
PAGE 1 OF 1			

THIS DOCUMENT IS AN ALLUSER INDUSTRIE PROPERTY AND IT CANNOT BE COPIED OR TRANSFERRED TO THIRD PARTIES WITHOUT A PREVIOUS WRITTEN AUTHORIZATION. DUE TO OUR POLICY OF CONTINUOUS PRODUCT DEVELOPMENT, ALL DIMENSIONS AND SPECIFICATIONS DESCRIBED IN THIS DOCUMENT ARE SUBJECT TO CHANGE WITHOUT NOTICE.