

FRONT VIEW
NON SECURE SIDE

NOTE:

CONSTRUCTION TOLERANCES:

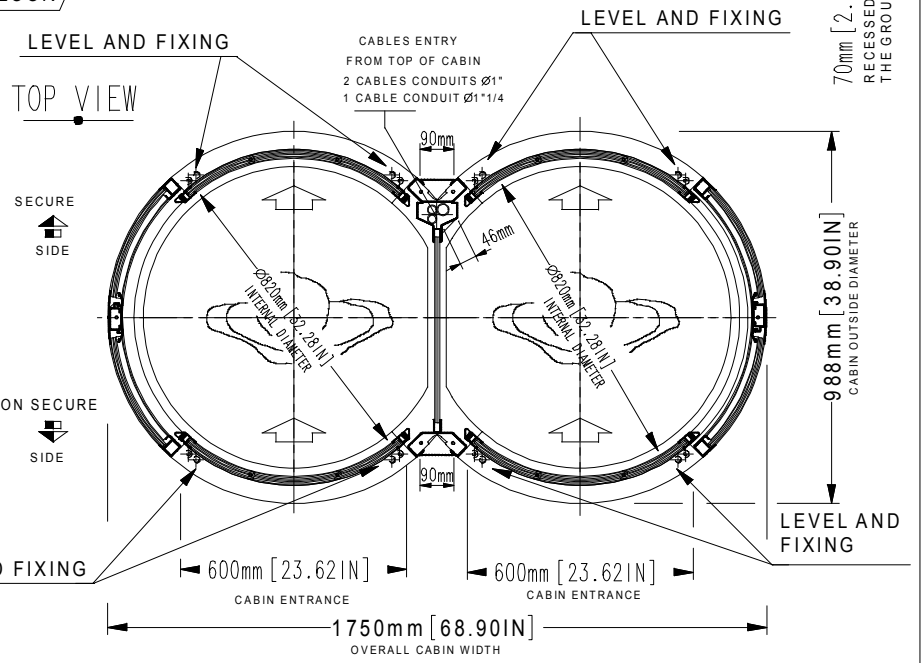
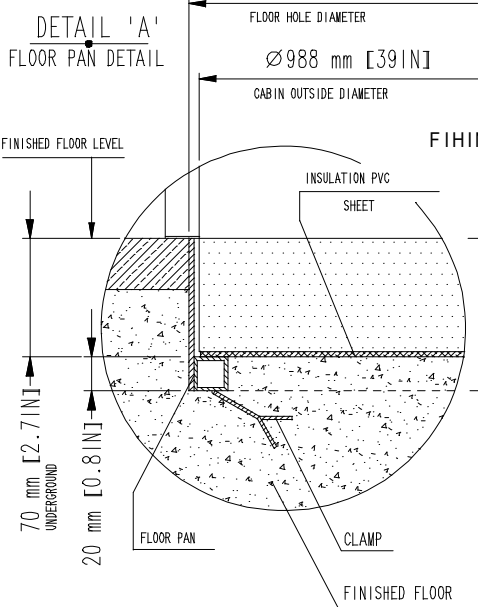
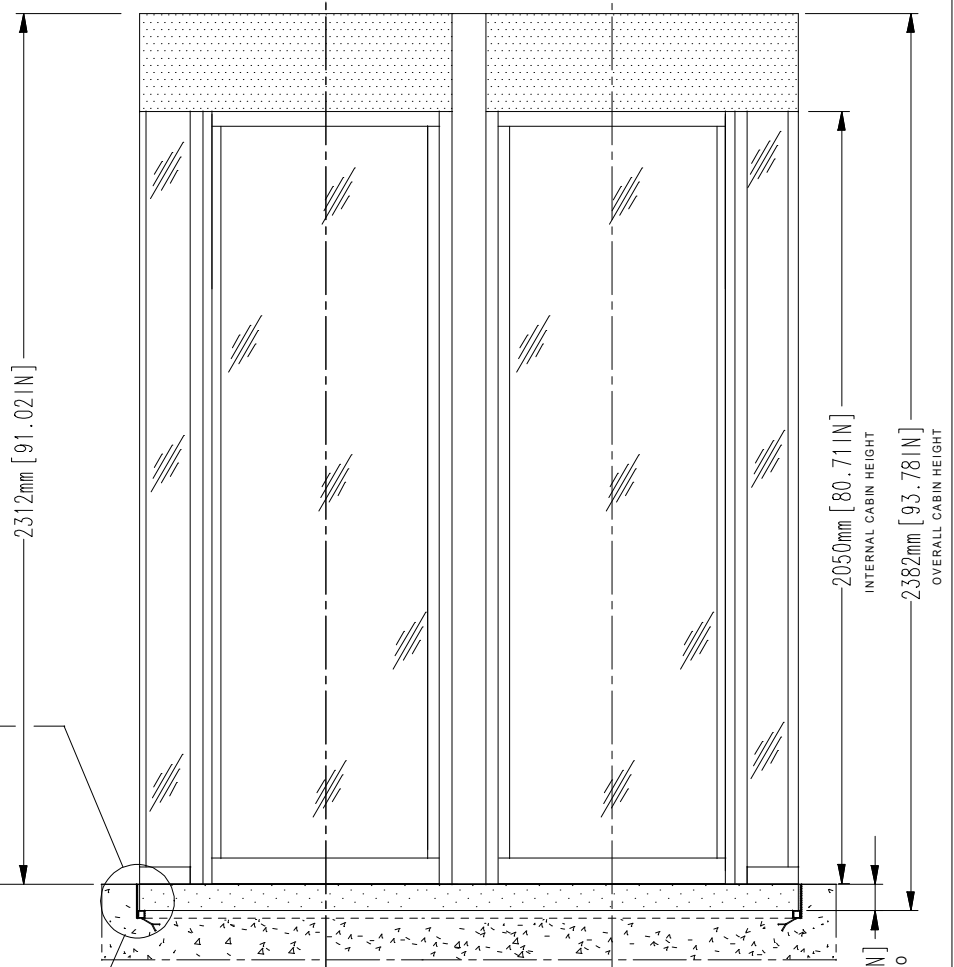
- +10 mm OVERALL FOR WIDTH
- +50 mm HEIGHT

INSTALLATION REQUIREMENT

SPACE FOR MAINTENANCE ABOVE TOP OF THE CABIN ON THE INTERNAL SIDE:

- MIN. 300 mm [11.81"]
- RECOMMENDED 750 mm [29.53"]
- If space does not meet the required specifications contact us to discuss alternatives

-Unit must be fixed into suitable frame and finished by others



NOTE:

- unit must be installed on to a level floor (suggested flatness tolerance: ±1 mm)
- coating option: 2 mm thickness in addition to size

REV	DATE	REVISION DESCRIPTION	DRAWN BY
DRAWN BY: L. BERTAZZO		DESIGNED AND MANUFACTURED BY: aalluser INDUSTRIE designed for your security	DISTRIBUTED BY: MEESONS SAFE SECURE ACCESS Cardea House Sidings Business Park Skipton North Yorkshire BD23 1TB 0870 787 7846
DATE: 05/12/2018		TITLE/DESCRIPTION C4 - C4K MY16	<i>Cabin recessed into the floor (ramp or floor pan required)</i> <i>Overall dimensions and mechanical installation requirement</i>
DRAWING NUMBER: EARC453			
REVISION: 0			
SCALE: 1:20			
PAGE 1 OF 1			
THIS DOCUMENT IS AN ALLUSER INDUSTRIE PROPERTY AND IT CANNOT BE COPIED OR TRANSFERRED TO THIRD PARTIES WITHOUT A PREVIOUS WRITTEN AUTHORIZATION. DUE TO OUR POLICY OF CONTINUOUS PRODUCT DEVELOPMENT, ALL DIMENSIONS AND SPECIFICATIONS DESCRIBED IN THIS DOCUMENT ARE SUBJECT TO CHANGE WITHOUT NOTICE.			