

**NOTE:**

GENERAL CONSTRUCTION TOLERANCE:  $\pm 5 \text{ mm}$  [ $\pm 0.2$ "]

**INSTALLATION REQUIREMENT**

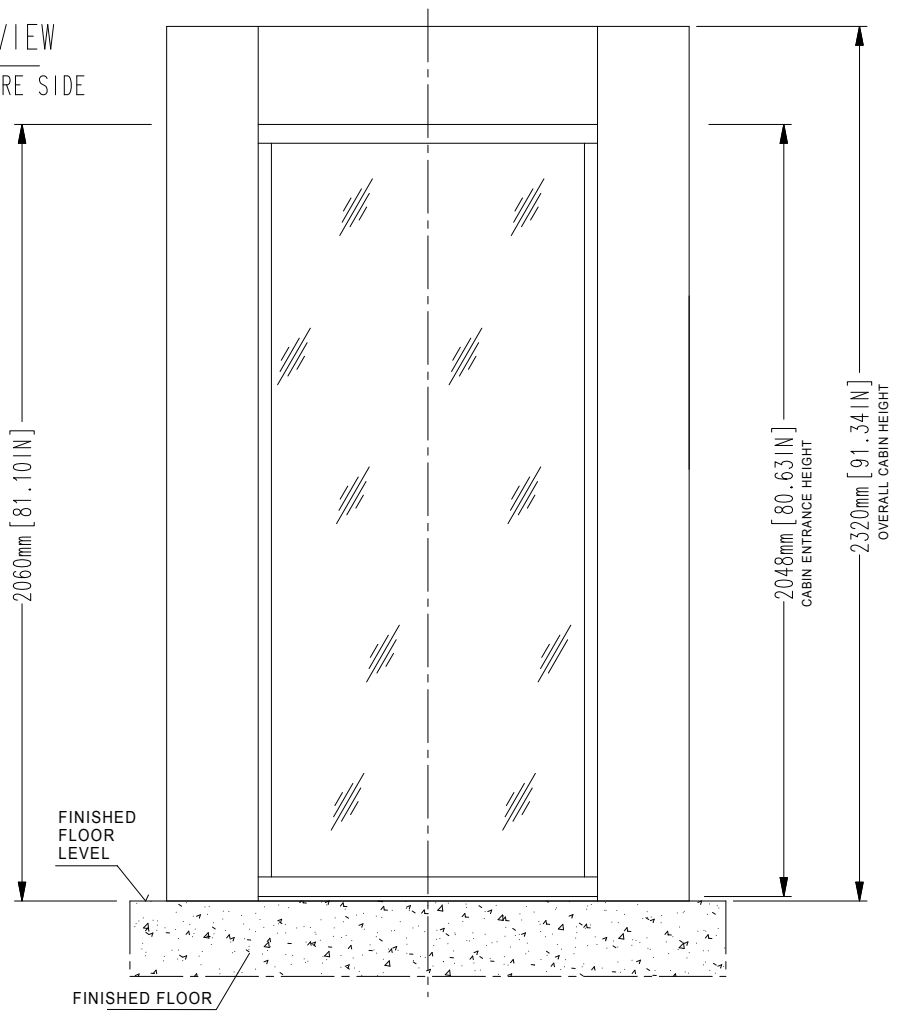
SPACE FOR MAINTENANCE ABOVE TOP OF THE CABIN ON THE INTERNAL SIDE:

\*MIN. 300 mm [11.81"]

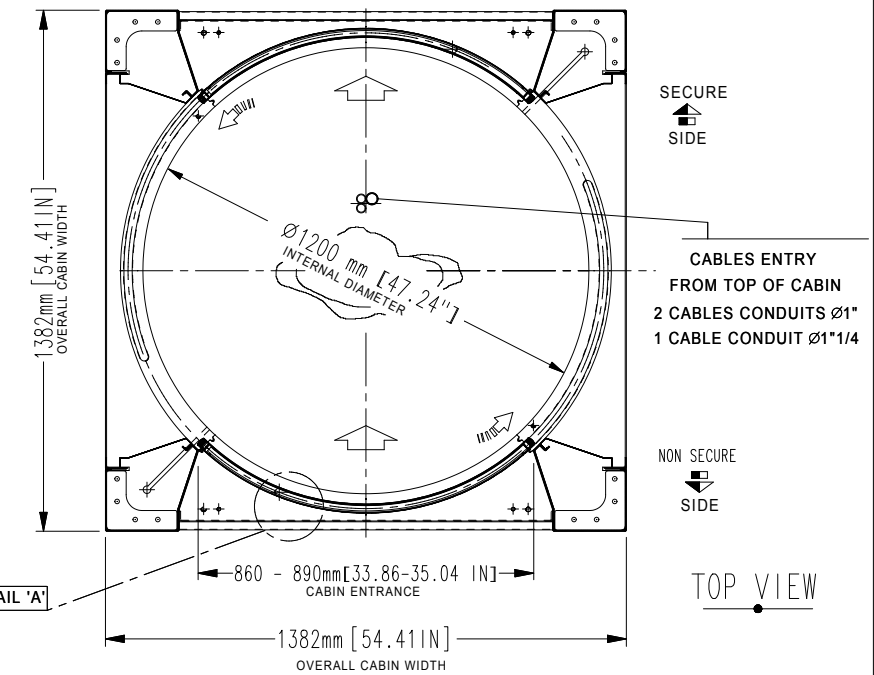
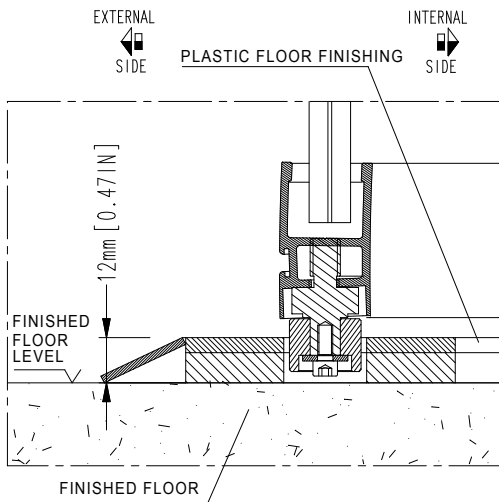
\*RECOMMENDED 750 mm [29.53"]

\*if space does not meet the required specifications contact us to discuss alternatives

**FRONT VIEW**  
NON SECURE SIDE



**DETAIL 'A'**



**NOTE:**

- unit must be installed on to a level floor (suggested flatness tolerance:  $\pm 1 \text{ mm}$ )

- coating option: 2 mm thickness in addition to size

4	08/05/2018	TOP VIEW MODIFIED	L.BERTAZZO
3	09/11/2017	OVERALL CABIN WIDTH MODIFIED	L.BERTAZZO
REV	DATE	REVISION DESCRIPTION	DRAWN BY
DRAWN BY: ISABELLA		DESIGNED AND MANUFACTURED BY: <b>alluser</b> INDUSTRIE designed for your security	DISTRIBUTED BY: <b>MEESONS</b> SAFE SECURE ACCESS Cardea House Sidings Business Park Skipton North Yorkshire BD23 1TB 0870 787 7846
DATE: 17/03/2016			
DRAWING NUMBER: EARC351			
REVISION: 4	TITLE/DESCRIPTION		<i>Flush mounted to floor (no recess required)</i> <i>Overall dimensions and mechanical installation requirement</i>
SCALE: 1:20	E3R-E3KR MY16/2 DOORS		
PAGE 1 OF 1			

THIS DOCUMENT IS AN ALLUSER INDUSTRIE PROPERTY AND IT CANNOT BE COPIED OR TRANSFERRED TO THIRD PARTIES WITHOUT A PREVIOUS WRITTEN AUTHORIZATION. DUE TO OUR POLICY OF CONTINUOUS PRODUCT DEVELOPMENT, ALL DIMENSIONS AND SPECIFICATIONS DESCRIBED IN THIS DOCUMENT ARE SUBJECT TO CHANGE WITHOUT NOTICE.