

**NOTE:**

GENERAL CONSTRUCTION TOLERANCE:  $\pm 5 \text{ mm}$  [ $\pm 0.2$ "]

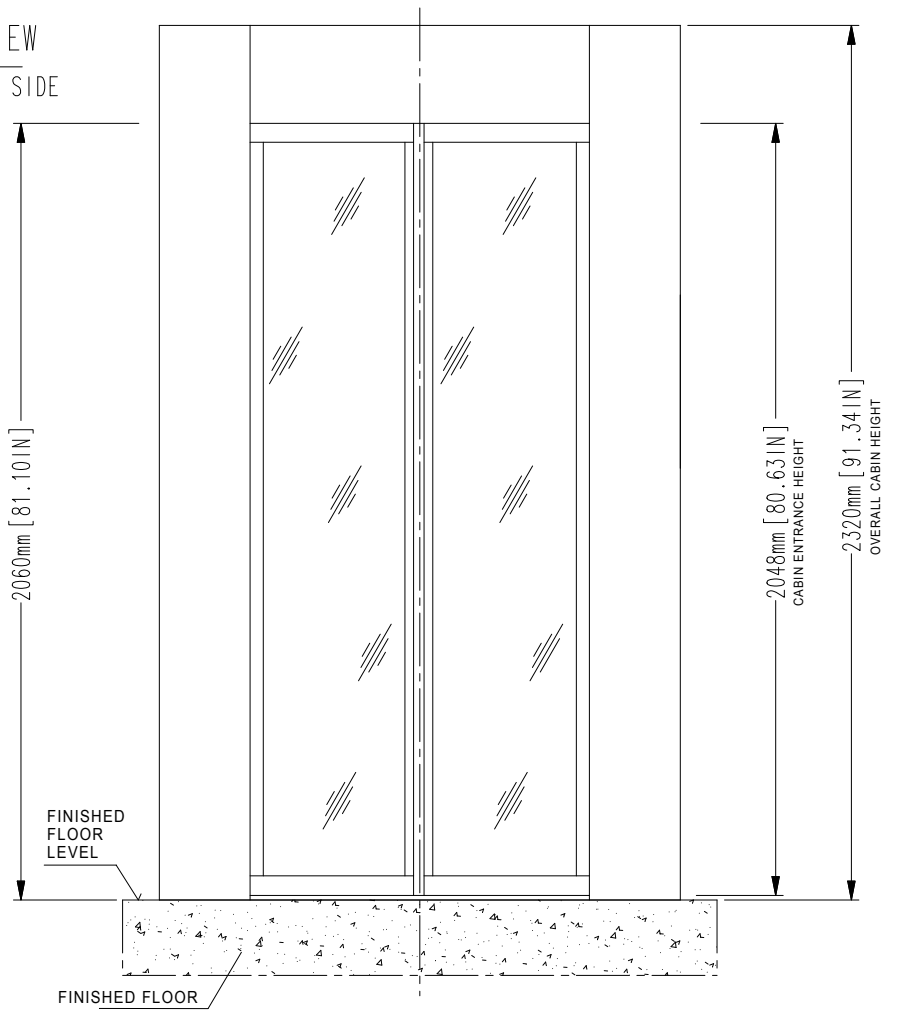
**INSTALLATION REQUIREMENT**

SPACE FOR MAINTENANCE ABOVE TOP OF THE CABIN ON THE INTERNAL SIDE:

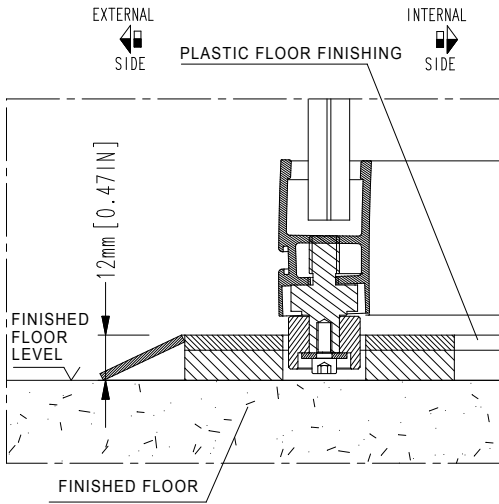
- \*MIN. 300 mm [11.81"]
- \*RECOMMENDED 750 mm [29.53"]

\*if space does not meet the required specifications contact us to discuss alternatives

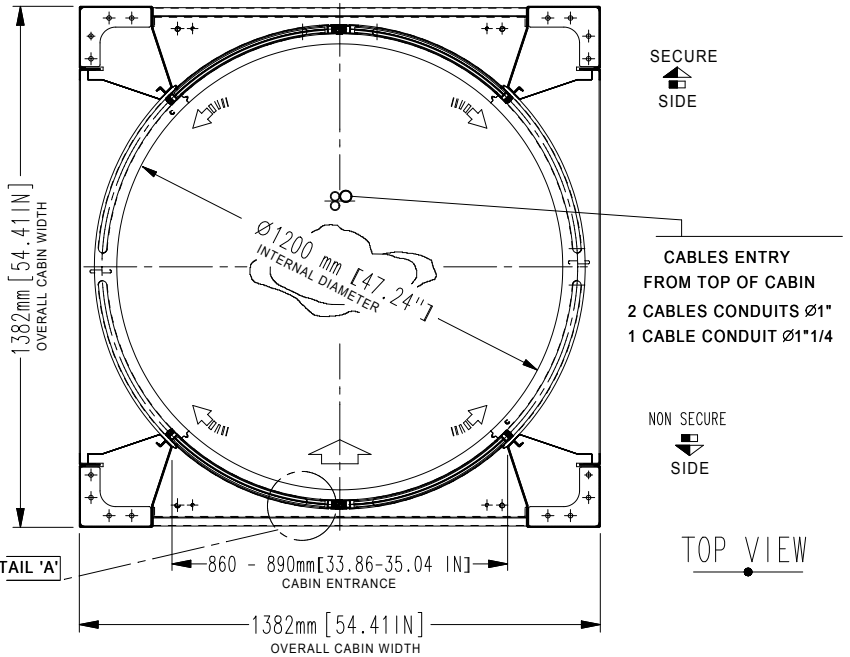
**FRONT VIEW**  
NON SECURE SIDE



**DETAIL 'A'**



**NOTE:**  
- unit must be installed on to a level floor (suggested flatness tolerance:  $\pm 1 \text{ mm}$ )  
- coating option: 2 mm thickness in addition to size



4	08/05/2018	TOP VIEW MODIFIED	L.BERTAZZO
3	09/11/2017	OVERALL CABIN WIDTH MODIFIED	L.BERTAZZO
REV	DATE	REVISION DESCRIPTION	DRAWN BY
DRAWN BY: ISABELLA		DESIGNED AND MANUFACTURED BY: <b>alluser</b> INDUSTRIE designed for your security	DISTRIBUTED BY: <b>MEESONS</b> SAFE SECURE ACCESS Cardea House Sidings Business Park Skipton North Yorkshire BD23 1TB 0870 787 7846
DATE: 25/01/2016			
DRAWING NUMBER: EARC331			
REVISION: 4	TITLE/DESCRIPTION		<i>Flush mounted to floor (no recess required)</i> <i>Overall dimensions and mechanical installation requirement</i>
SCALE: 1:20	<b>E3R-E3KR MY16/4 DOORS</b>		
PAGE 1 OF 1			

THIS DOCUMENT IS AN ALLUSER INDUSTRIE PROPERTY AND IT CANNOT BE COPIED OR TRANSFERRED TO THIRD PARTIES WITHOUT A PREVIOUS WRITTEN AUTHORIZATION. DUE TO OUR POLICY OF CONTINUOUS PRODUCT DEVELOPMENT, ALL DIMENSIONS AND SPECIFICATIONS DESCRIBED IN THIS DOCUMENT ARE SUBJECT TO CHANGE WITHOUT NOTICE.