

NOTE:

CONSTRUCTION TOLERANCES:

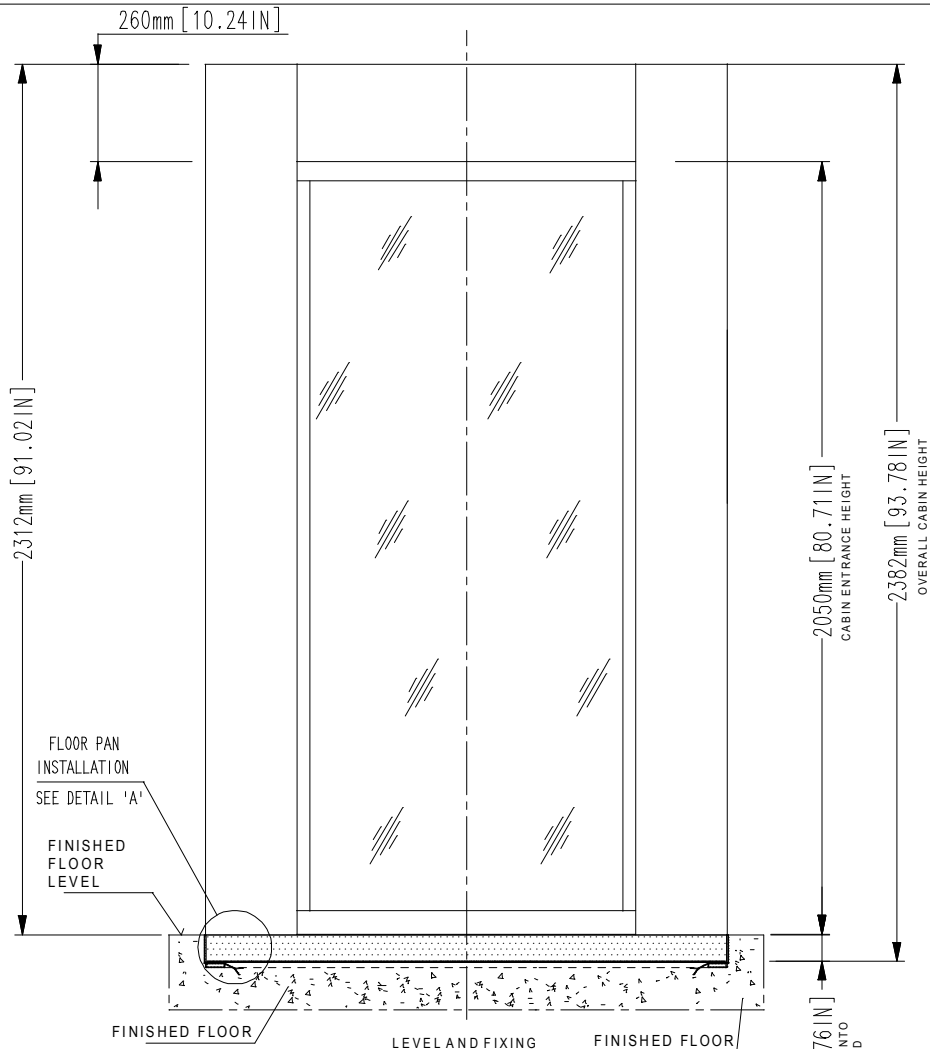
+10 mm OVERALL FOR WIDTH
+50 mm HEIGHT

INSTALLATION REQUIREMENT

SPACE FOR MAINTENANCE ABOVE TOP OF THE CABIN ON THE INTERNAL SIDE:

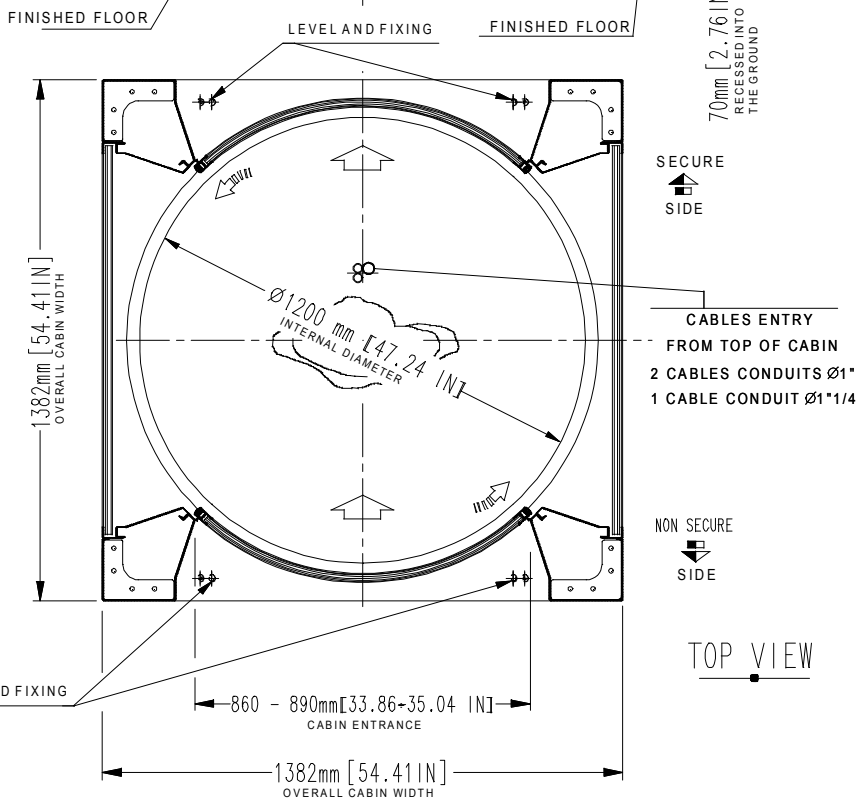
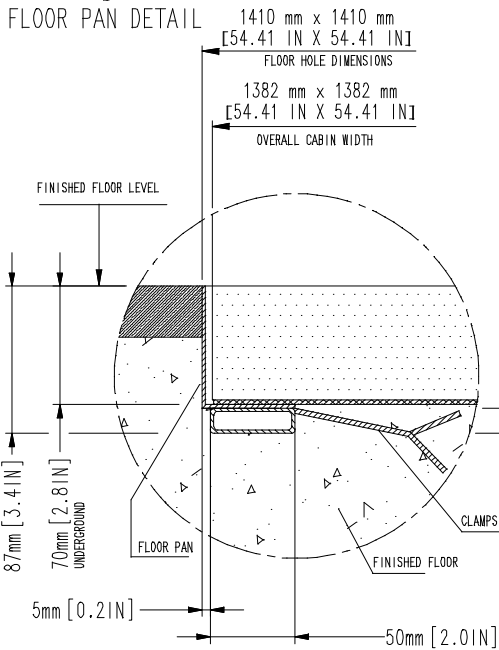
- MIN. 300 mm [11.81"]
- RECOMMENDED 750 mm [29.53"]
- If space does not meet the required specifications contact us to discuss alternatives

-Unit must be fixed into suitable frame and finished by others



FRONT VIEW
NON SECURE SIDE

DETAIL "A"
FLOOR PAN DETAIL



TOP VIEW

NOTE:

- unit must be installed on to a level floor (suggested flatness tolerance: ±1 mm)
- coating option: 2 mm thickness in addition to size

REV	DATE	REVISION DESCRIPTION	DRAWN BY
		DESIGNED AND MANUFACTURED BY:	MEESONS SAFE SECURE ACCESS Cardea House Sidings Business Park Skipton North Yorkshire BD23 1TB 0870 787 7846
		alluser INDUSTRIE designed for your security	
		DRAWN BY: L. BERTAZZO DATE: 07/12/2018 DRAWING NUMBER: EARC458	
		TITLE/DESCRIPTION	Cabin recessed into the floor (ramp or floor pan required) Overall dimensions and mechanical installation requirement
		E3-E3K MY16/2 DOORS	
		REVISION: 0	
		SCALE: 1:20	
		PAGE 1 OF 1	

THIS DOCUMENT IS AN ALLUSER INDUSTRIE PROPERTY AND IT CANNOT BE COPIED OR TRANSFERRED TO THIRD PARTIES WITHOUT A PREVIOUS WRITTEN AUTHORIZATION. DUE TO OUR POLICY OF CONTINUOUS PRODUCT DEVELOPMENT, ALL DIMENSIONS AND SPECIFICATIONS DESCRIBED IN THIS DOCUMENT ARE SUBJECT TO CHANGE WITHOUT NOTICE.