

NOTE:

CONSTRUCTION TOLERANCES:

+10 mm OVERALL FOR WIDTH
+50 mm HEIGHT

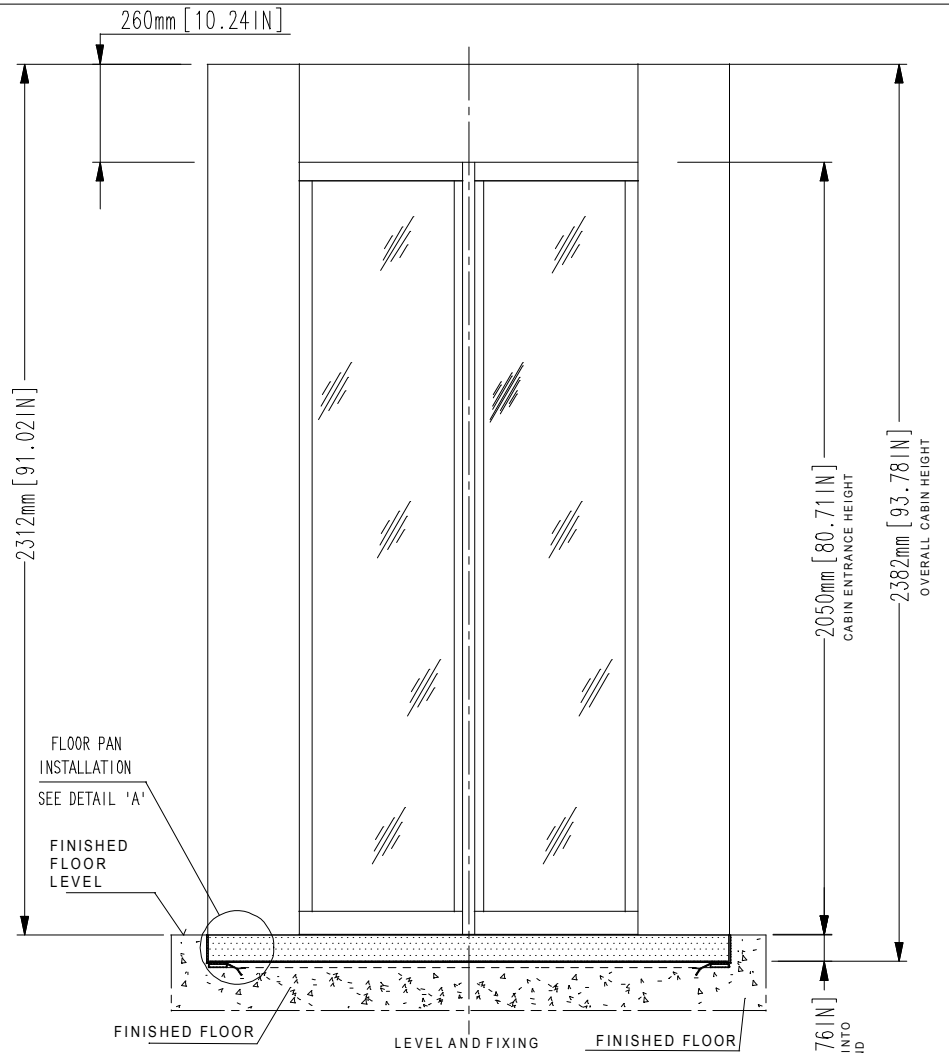
INSTALLATION REQUIREMENT

SPACE FOR MAINTENANCE
ABOVE TOP OF THE CABIN ON
THE INTERNAL SIDE:

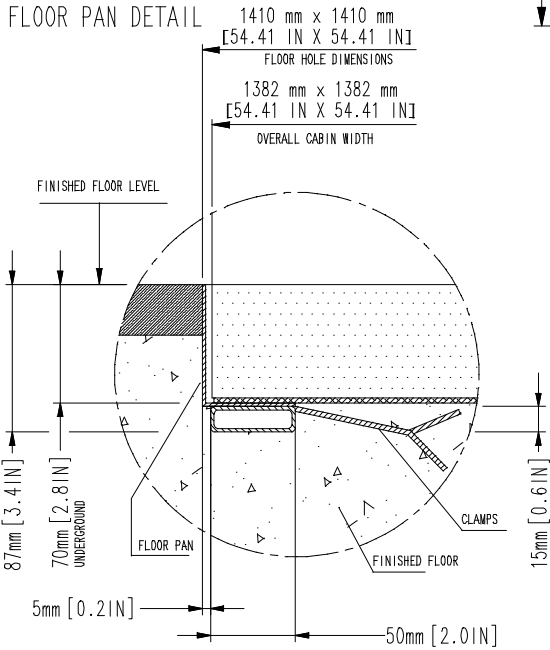
- MIN. 300 mm [11.81"]
- RECOMMENDED 750 mm [29.53"]
- If space does not meet the required specifications contact us to discuss alternatives

-Unit must be fixed into suitable frame and finished by others

FRONT VIEW
NON SECURE SIDE

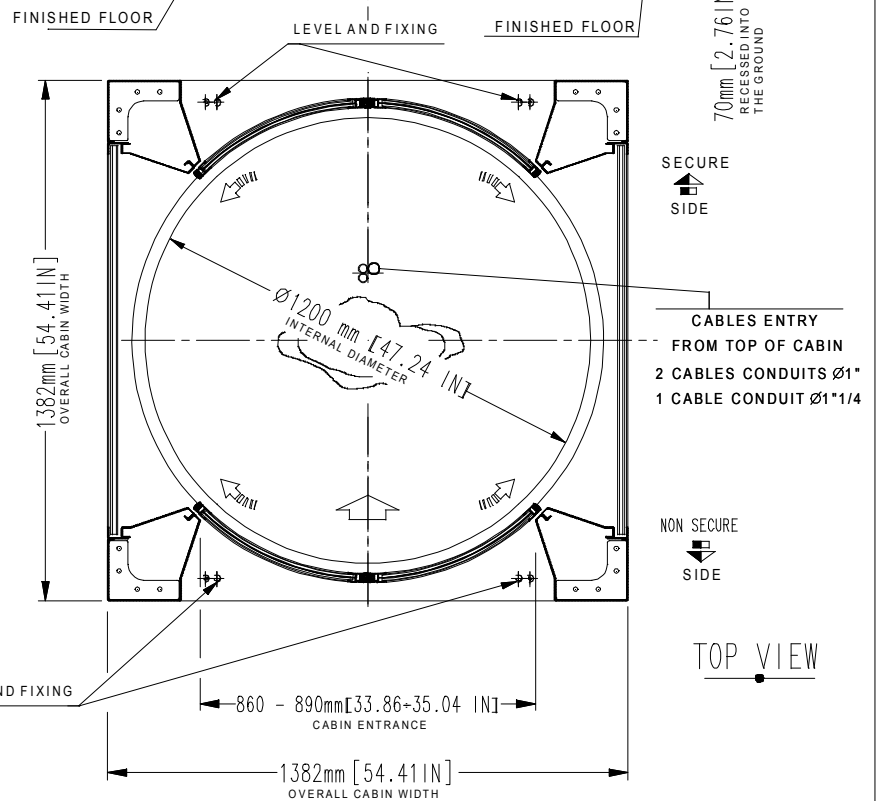



DETAIL "A"
FLOOR PAN DETAIL



NOTE:

- unit must be installed on to a level floor (suggested flatness tolerance: ±1 mm)
- coating option: 2 mm thickness in addition to size



REV	DATE	REVISION DESCRIPTION	DRAWN BY
DRAWN BY: L. BERTAZZO		DESIGNED AND MANUFACTURED BY:	DISTRIBUTED BY: MEESONS SAFE SECURE ACCESS Cardea House Sidings Business Park Skipton North Yorkshire BD23 1TB 0870 787 7846
DATE: 07/12/2018		 designed for your security	
DRAWING NUMBER: EARC459			
REVISION: 0		TITLE/DESCRIPTION	Cabin recessed into the floor (ramp or floor pan required) Overall dimensions and mechanical installation requirement
SCALE: 1:20		E3-E3K MY16/4 DOORS	
PAGE 1 OF 1			

THIS DOCUMENT IS AN ALLUSER INDUSTRIE PROPERTY AND IT CANNOT BE COPIED OR TRANSFERRED TO THIRD PARTIES WITHOUT A PREVIOUS WRITTEN AUTHORIZATION. DUE TO OUR POLICY OF CONTINUOUS PRODUCT DEVELOPMENT, ALL DIMENSIONS AND SPECIFICATIONS DESCRIBED IN THIS DOCUMENT ARE SUBJECT TO CHANGE WITHOUT NOTICE.