

EntraQuick® II Quick Folding Gate

The EntraQuick® II Quick Folding Gate is a type-tested, trackless bi-hinged gate, which is ideally suited to keep your perimeter secured. Its fast operation allows opening and closing after every entry or exit. It boasts speed, stability, reliability and low maintenance.

MAIN FEATURES

- High Speed Opening and Closing
- Low Maintenance
- Replaces combined sliding gate and barrier installations

Design

Single or Double leaf Quick Folding Gate with folding leaves, drive posts, control unit and electro-mechanical drives

Certification

Type-tested by notified body TÜV Nord

Clear Width (CW)

2000 – 5000mm in 500 mm increments (single leaf)
4000 – 10000mm in 500 mm increments (double leaf)

Distance between Posts

CW + 400mm (single leaf)
CW + 760mm (double leaf)

Gate Height

2050mm incl. 100mm ground clearance
2550mm and 3050mm incl. 100mm ground clearance (only for CW ≤ 8000mm)

Gate Infill

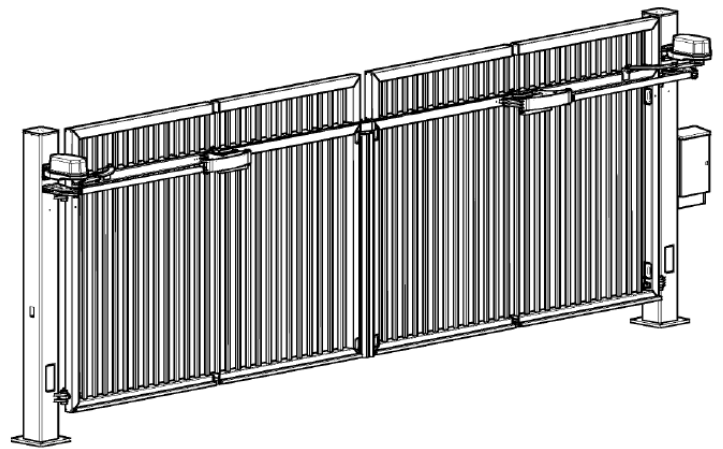
Bar infill made of square hollow section SHS 30 with max. 120mm clear distance

Frame Profile

Square hollow section SHS 100x5 (inner/leading gate leaf)
Square hollow section SHS 100x4 (outer/trailing gate leaf)

Drive Post

Square hollow section SHS 260x10 with base plate to bolt on



Dual leaf

Opening Direction

Single leaf

Left hand, opening inwards or right hand, opening inwards (standard)

Left hand, opening outwards or right hand, opening outwards

Dual Leaf

Inwards (standard) or outwards

Lowered Foundation

Top edge of foundation 200mm below finished floor level

Operating Speed

Max. 0.5 m/s (single leaf, depending on CW)

Max. 1.0 m/s (double leaf, depending on CW)

Drive

Electric drive 0.37 kW, 3~ 230 V Δ, 50 Hz

Emergency Operation

By manual release of drive arm

Supply Voltage

230 V (1Ph + N + PE), 50 Hz

Control Unit

Automatic control (maintained command) WE-Tronic II with frequency converter, control voltage 24 V DC

Control Box (HxWxD)

600 x 400 x 210mm, IP66

With rain cover, mounted to drive post (standard)

For wall installation inside a building, max. distance 50m (optional)

In separate outdoor cabinet = 1200 x 600 x 400mm incl. 200mm high socket, max. distance 50m (optional)

Safety Devices

4 nos. safety edges (single leaf)

8 nos. safety edges (double leaf)

Light beam between drive post and receiving post at car and HGV height as well as in separate light beam posts on the side of the folded gate leaf at car height

Active infrared-presence detector (for EntraQuick with 2050mm gate height)

Control Devices (Standard)

1 no. key switch OPEN / STOP / CLOSE in right or left drive post

Control Devices (Optional)

Induction loops, additional light beam in light beam posts at HGV height, additional key switch OPEN/ CLOSE / STOP, key switch OPEN / CLOSE / EMERGENCY STOP, key switch ON / OFF for automatic closing etc., key switch partial opening, key switch fire brigade, remote control with hand held transmitter, table top push button, timer, code key pad, card reader, intercom system

Signalling Devices (Optional)

Flashing permanent light or rotating beacon (LED), LED spot light, traffic light

Options

Serrated top edge, steel spikes (from 2550mm gate height), alternative floor recess for lowered foundation up to 200mm, key safe, fence connection systems, special infills on request

Weight

Approx. 1100kg for maximum applicable dimension (single leaf)

Approx. 1600kg for maximum applicable dimension (dual leaf)

Finish

Hot-dip galvanised and powder-coated in RAL 6005 moss green, RAL 7016 anthracite grey, RAL 7030 stone grey, RAL 7035 light grey or RAL 9010 pure white

Finish (Optional)

Hot-dip galvanised and powder-coated in other RAL colours

Temperature Range

Control unit: -10 °C ... +50 °C

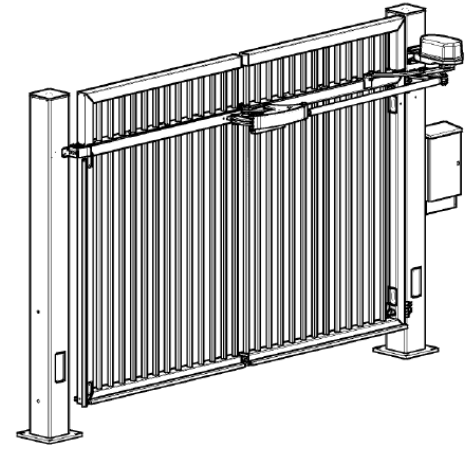
Drive: -45 °C ... +50 °C

As our policy is to continually improve the products we offer, we reserve the right to amend specifications without prior notice. Further product drawings are available on request

Document: 1302779 & 1102907

Version: a changed: 07.03.2019

Meesons A.I. Ltd | Cardea House | Sidings Business Park
Skipton | North Yorkshire | BD23 1TB



Single leaf

Tel: 0870 787 7846

Email: enquiries@meesons.com

www.meesons.com