

M50 Fixed Shallow Mount Bollard

The M50 Fixed Shallow Mount Bollard offers maximum security against unauthorised wheeled vehicles, whilst enabling unhindered pedestrian access. The units are crash-tested to internationally accepted standards and feature shallow foundations.

MAIN FEATURES

- Crash Tested and certified according to PAS 68:2013, IWA 14-1:2013 & ASTM
- Shallow installation depth – 500mm (including 100mm road covering)
- Blocking height: 1100mm
- Tri-Protect® anti-corrosion protection coating

Design

Blocking bollard(s) with base supports for shallow mount installation. Bollard system can be adapted on site for corner applications.

Impact Energy

1852 kJ (7.5 t @ 80 km/h) Crash test certified according to; PAS 68:2013 V/7500[N3]/80/90:0.4/15.4
IWA 14-1:2013 V/7200[N3C]/80/90:0.8
ASTM F 2656-07 M50/P1 (triple unit)

Blocking Element

Diameter: 355 mm with welded on steel top plate, optional: screwed on steel top plate, in galvanised finish or coated in colour of blocking element

Wall Thickness

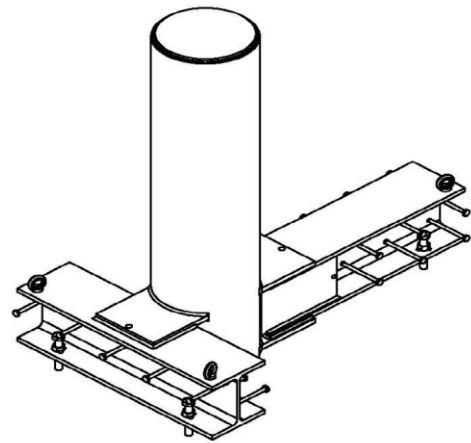
30mm

Blocking Height

1100mm

Foundation Size

4500 x 2500 x 400mm (triple unit)



Foundation Top Edge

100mm below finished floor level

Weight

620kg

Options

Bollard top lighting, Ufo-shape, red, white or yellow Stainless steel sleeve with screwed on or welded stainless steel top plate

Finish

RAL Tri-Protect®: Long-term anti-corrosion protection coating according to DIN 55633 corrosion category C4, medium durability (Industrial areas e.g. chemical plants and coastal areas with moderate salinity).

The coating system was salt spray tested for approx. 2000 h* without loss of the surface protection in accordance to ISO 9227.

* Without damaging the surface

To ensure the lifespan of the paint, the product must be maintained in line with the recommended maintenance schedule

Colour (Standard)

RAL 6005 moss green, RAL 7016 anthracite grey, RAL 7030 stone grey, RAL 7035 light grey or RAL 9010 pure white

Colour (Optional)

Any RAL colour or DB colour

As our policy is to continually improve the products we offer, we reserve the right to amend specifications without prior notice. Further product drawings are available on request

Document: 1099177
Version: c changed: 05.12.2017