

M50 Removable Shallow Mount Bollard

The M50 Removable Shallow Mount Bollard offers maximum security against unauthorised wheeled vehicles, whilst enabling unhindered pedestrian access. The removable blocking bollard provides the flexibility to enable vehicle access when required.

MAIN FEATURES

- Vehicle Impact Simulation M50/P1 (triple unit)
- Shallow Installation Depth – 500mm (including 100mm road covering)
- Blocking height: 1100mm
- Tri-Protect® anti-corrosion protection coating

Design

Removable blocking bollard with base supports for shallow mount installation. Bollard system can be adapted on site for corner applications.

Impact Energy

1680 kJ (15,000 lb @ 80 km/h)

Vehicle Impact Simulation M50/P1 (triple unit)

Blocking Element

Diameter: 355mm with welded on steel top plate, Optional: screwed on steel top plate, in galvanised finish or coated in colour of blocking element

Wall Thickness

30mm

Blocking Height

1100mm

Foundation Size

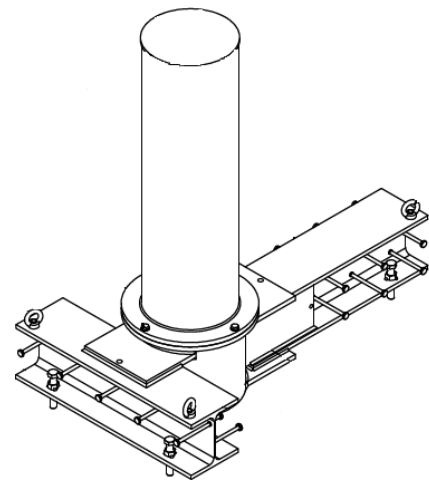
4500 x 2500 x 400mm (triple unit)

Foundation Top Edge

100mm below finished floor level

Weight

710kg



Options

Bollard top lighting, Ufo-shape, red, white or yellow

Stainless steel sleeve with screwed on or welded stainless steel top plate

Height compensation and blind plate for height compensation

Finish

RAL Tri-Protect®: Long-term anti-corrosion protection coating according to DIN 55633 corrosion category C5, high durability and C5-industrial and marine atmosphere, medium durability respectively (Industrial areas with high humidity and aggressive atmospheres and Marine, offshore, estuaries, coastal areas with high salinity).

The coating system was salt spray tested for approx. 2000 h* without loss of the surface protection in accordance to ISO 9227. *Without damaging the surface

To ensure the lifespan of the paint, the product must be maintained in line with the recommended maintenance schedule

Colour (Standard)

RAL 6005 moss green, RAL 7016 anthracite grey, RAL 7030 stone grey, RAL 7035 light grey or RAL 9010 pure white

Colour (Optional)

Any RAL colour or DB colour

As our policy is to continually improve the products we offer, we reserve the right to amend specifications without prior notice. Further product drawings are available on request

Document: 2092074
Version: c changed: 04.03.2019