

EasyGate SPT Outdoor

The EasyGate SPT Outdoor Speed Gate has been specifically designed to withstand the harshest of weather conditions. The brushed stainless steel cabinet with glass wings up to 1800mm high and a black glass top lid includes an IP53 rating to provide an attractive alternative to a full height turnstile.

MAIN FEATURES

- IP53 Rated
- High throughput – opening barrier time: 0.5 seconds
- Maximum locking performance - Hardened tooth lock brake
- Bike access solution*

*Optional feature

DIMENSIONS

Cabinet height: 975mm
 Cabinet length: 1500mm
 Cabinet width: 210mm
 Barrier height: 1500 & 1800mm

NUMBER OF WINGS

1 Wing/ 2 Wings

PASSAGE WIDTH

1 wing
 Standard width: 550mm
 Max Passage width: 600mm

2 wings

Standard width: 650mm
 Max Passage width: 1050mm

BASE AND HOUSING

Brushed Stainless Steel – Round/ Square cabinet

TOP LID

Black Glass Panel

BARRIER

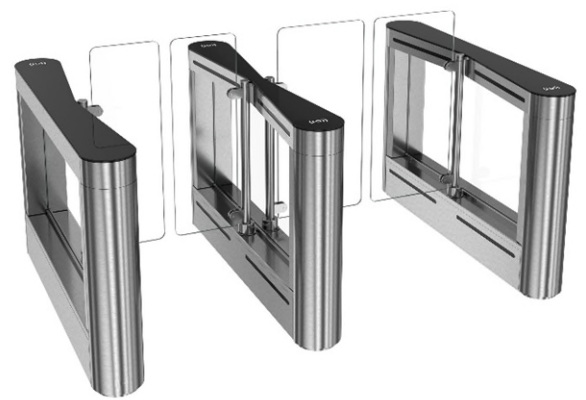
Glass Wing (10mm, tempered)

SIDE INFILL PANEL

6mm tempered glass

POWER SUPPLY

230V AC



COMMUNICATION INTERFACE

RS-485/ USB/ Ethernet

NUMBER OF SENSORS

36 pairs

TAILGATING AND CROSS OVER DETECTION

Yes

CLIMB OVER DETECTION

Yes - electronic detection

RANGE OF OPERATING TEMPERATURE

+10°C to +50°C
 - 25°C to +50°C with heating module

OPERATING ENVIRONMENT

Outdoor – IP53

EMERGENCY MODE

Open manually or automatically
 (with power backup)

BRAKE CONTROL FUNCTION

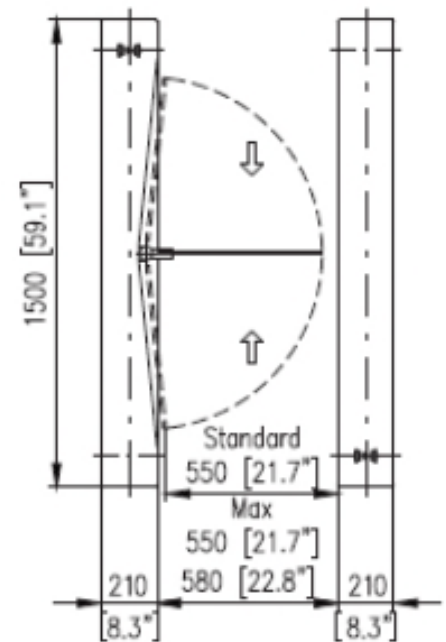
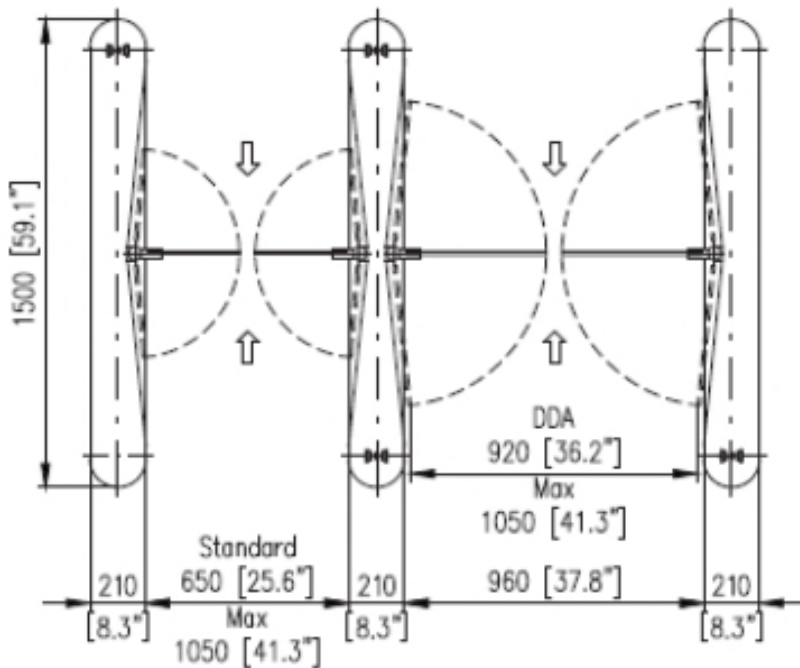
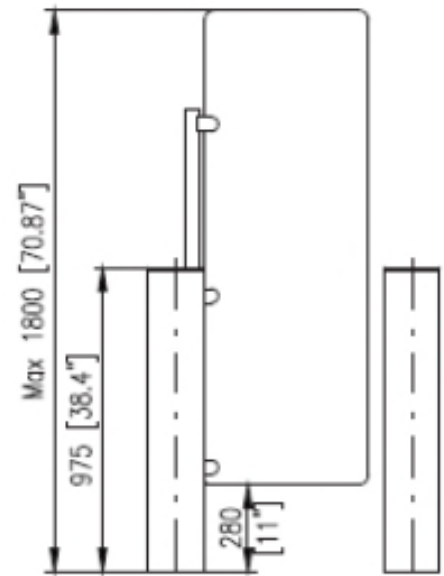
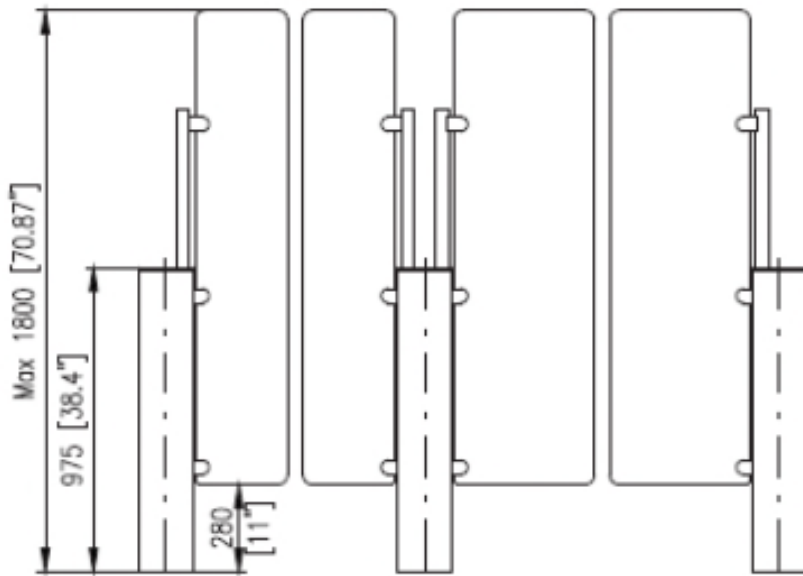
Brake force in excess of 650N, Hardened tooth lock brake

MCBF

10,000,000 cycles (Based on recommended maintenance schedule)

OPTIONAL ACCESSORIES

- RFID reader bracket (flush mounted)
- Access Light / Lane Light
- WAV player
- Pushthrough feature
- USB convertor / Ethernet convertor
- EasyTouch / TouchPanel / T-MON SW
- Integration of Barcode and QR code scanner
- Side infill panel
- Ramp LT



As our policy is to continually improve the products we offer, we reserve the right to amend specifications without prior notice. Further product drawings are available on request