

E3 R Security Portal

DIMENSIONS

External Width/ Depth: 1382mm
 Internal Diameter: 1200mm
 Entrance Width: 860 - 890mm
 Internal Height: 2048mm
 External Height: 2320mm

Typical Weight Guideline: 880-1120kg

VERSION AVAILABLE

R – Flush Mounted
 S – Welded
 K – Kit

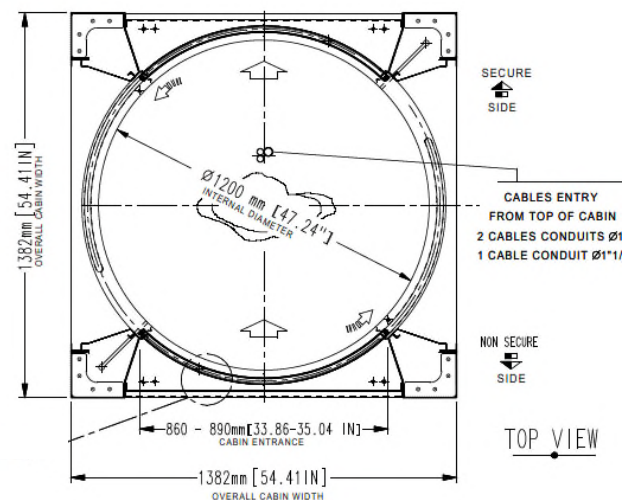
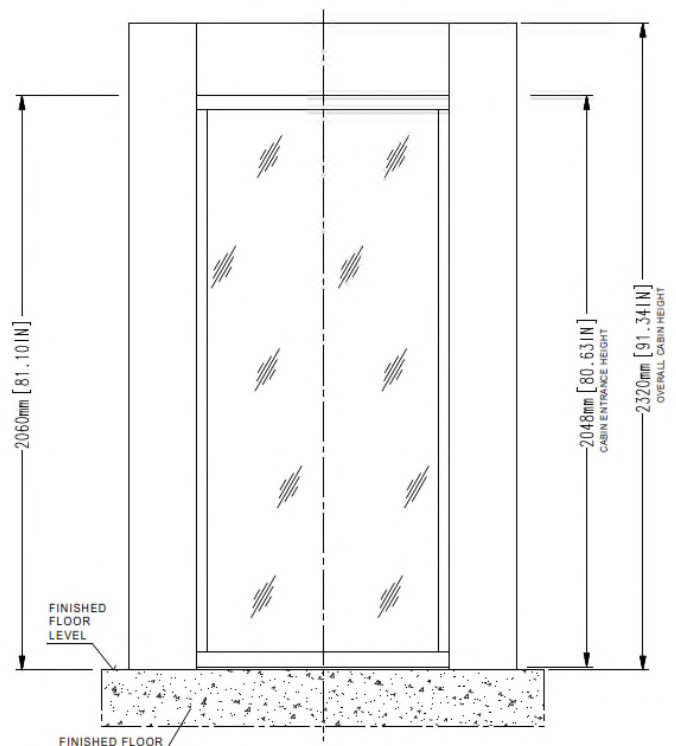
POWER SUPPLY

Input: 110 / 230 VAC
 (EMI Filter included)
 Output: 24 Vdc, 5 A/hour
 Average Power consumption: 35 watt
 (per hour of continuous operation)
 Max Power consumption: 150 watt
 Emergency Battery Back-up: 6-8 hours

Metallic Structure: Steel 30 / 10

MOTORS

Reversible motors with permanent magnet, working power of 24 Vdc, provided with an encoder for the continuous control of the door position. Doors are provided with electronic control of motor torque for door safety stop in presence of an obstacle.



E3 – S1 to S3 Portals
 Approved to LPS 1175: Issue 8
 Security Ratings
 A1(SR1), B3(SR2) & C5 (SR3)
 Cert/LPCB Ref. 1479n-p/01



Features

● Standard Feature ○ Cost Option - Not Available

VERSIONS AVAILABLE

- S version: welded portal structure with 70mm floor base (recessed or surface mounted)
- R version: rail floor guide 12mm base (surface mounted installation only)
- K version: portal delivered in sections to be assembled at the installation site.
- Extended height version
- Extended width version
- LPS 1175 A1 (SR1)
- LPS 1175 B3 (SR2)
- LPS 1175 C5 (SR3)

SAFETY FEATURES

- Anti slip floor mat
- Emergency unlocking device
- Fail secure
- IR safety sensors
- Internal LED light
- Fire alarm signal

SECURITY RATINGS

- FB2/NS EN 1522 top canopy
- FB4/NS EN 1522 metal structure
- Attack resistant class 3 EN 1627-30:2011
- Attack resistant class 4 EN 1627-30:2011

GLASS OPTIONS

- Vandal resistant glass P2A- EN356
- Vandal resistant glass P4A- EN356
- Vandal resistant glass P6B-EN356/ Bullet resistant glass BR3-EN1063
- Vandal resistant glass P7B-EN356/ Bullet resistant glass BR4-EN 1063

All Security portal are to be fixed in to the floor through the base of the portal, and on the sides to provide a good stability during security portals operation (it is not a free standing device).

As our policy is to continually improve the products we offer, we reserve the right to amend specifications without prior notice. Further product drawings are available on request

Meesons A.I. Ltd | Cardea House | Sidings Business Park
Skipton | North Yorkshire | BD23 1TB

CONTROL

- Service mode keyswitch or Multi-function control panel
- Additional multi-function control panel
- Emergency exit control panel
- Night lock

OUTER FINISHING

- RAL colours (sliding door frames RAL 9005 - black)
- Polished steel
- Brushed steel
- Aluminium

DETECTION DEVICES

- Infrared presence sensors
- APD - anti piggybacking device
- Metal detection control
- Pressure mat
- 2 zone pressure mat
- Reed door position tamper sensor

PUSH BUTTON, SIGNALS & REMOTE ACCESS

- Intercom (included in the traffic light)
- LED traffic lights
- Web lan control

EMERGENCY EXIT OPTIONS

- Emergency lever, handle or crank
- Additional internal emergency lever
- Additional external emergency lever

Tel: 0870 787 7846

Email: enquiries@meesons.com

www.meesons.com