

# FPJ140 2HP Security Portal

**DIMENSIONS**

External Width:	1381mm
External Depth:	1911mm
Internal Width:	1200mm
Internal Depth:	1725mm
Entrance Width:	895mm
Internal Height:	2048mm
External Height:	2320mm

Typical Weight Guideline: 640-1000kg

**VERSIONS AVAILABLE**

- R – Flush Mounted
- S – Welded
- K – Kit

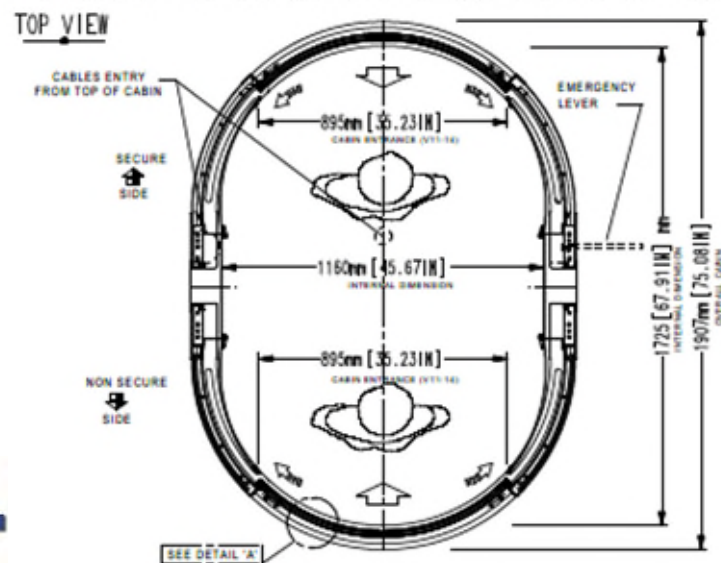
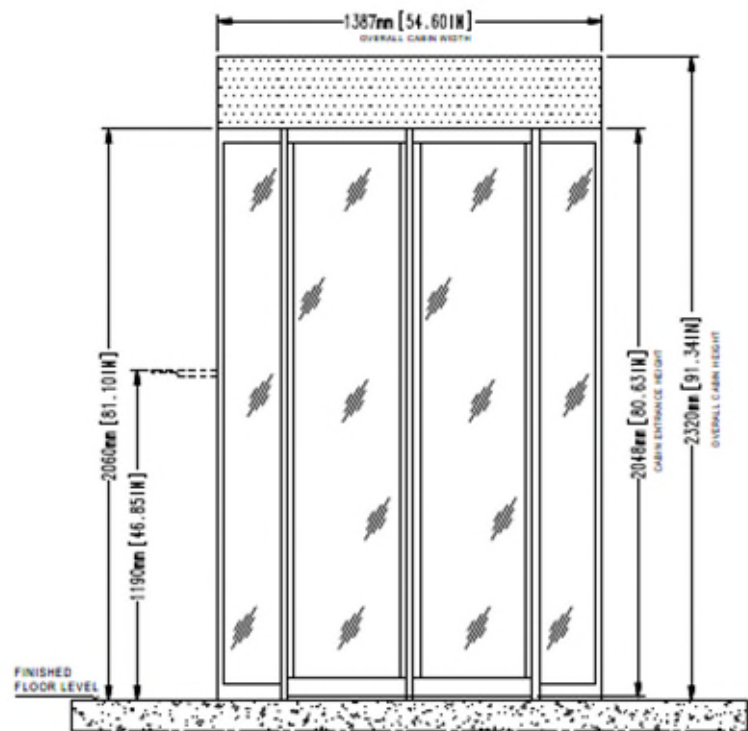
**POWER SUPPLY**

Input:	110 / 230 VAC (EMI Filter included)
Output:	24 Vdc, 5 A/hour
Average Power consumption: (per hour of continuous operation)	35 watt
Max Power consumption:	150 watt
Emergency Battery Back-up:	6-8 hours

Metallic Structure: Steel 30 / 10

**MOTORS**

Reversible motors with permanent magnet, working power of 24 Vdc, provided with an encoder for the continuous control of the door position. Doors are provided with electronic control of motor torque for door safety stop in presence of an obstacle.



FPJ140 2HP- S1 to S3 Portals  
Approved to LPS 1175: Issue 8  
Security Ratings  
A1(SR1), B3(SR2), C5(SR3)  
Cert/LPCB Ref. 1479d/01



# Features

● Standard Feature    ○ Cost Option    - Not Available

## VERSIONS AVAILABLE

- S version: welded portal structure with 70mm floor base (recessed or surface mounted)
- K version: portal delivered in sections to be assembled at the installation site.
- R version: rail floor guide 12mm base (surface mounted installation only)
- Extended height version
- Extended width version
- LPS 1175 A1 (SR1)
- LPS 1175 B3 (SR2)
- LPS 1175 C5 (SR3)

## SAFETY FEATURES

- Anti slip floor mat
- Emergency unlocking device
- Fail secure
- IR safety sensors
- Internal LED light
- Fire alarm signal
- Rescue Push Button

## SECURITY RATINGS

- FB2/NS EN 1522 top canopy
- FB4/NS EN 1522 metal structure

## CONTROL

- Service mode keyswitch or Multi-function control panel
- Additional multi-function control panel
- Emergency exit control panel
- Night lock

## OUTER FINISHING

- RAL colours (sliding door frames RAL 9005 - black)
- Polished steel
- Brushed steel
- Aluminium

## DETECTION DEVICES

- Infrared presence sensors
- APD - anti piggybacking device
- Metal detection control
- Pressure mat
- 2 zone pressure mat
- Reed door position tamper sensor

## PUSH BUTTON, SIGNALS & REMOTE ACCESS

- Intercom (included in the traffic light)
- LED traffic lights
- Internal alcove
- Web lan control

## EMERGENCY EXIT OPTIONS

- Emergency lever, handle or crank
- Additional Internal emergency lever

All Security Portals are to be fixed in to the floor through the base of the Portal, and a suitable frame on the sides, to provide good stability during the operation of the Portal (please note this is not a free standing unit).

As our policy is to continually improve the products we offer, we reserve the right to amend specifications without prior notice. Further product drawings are available on request