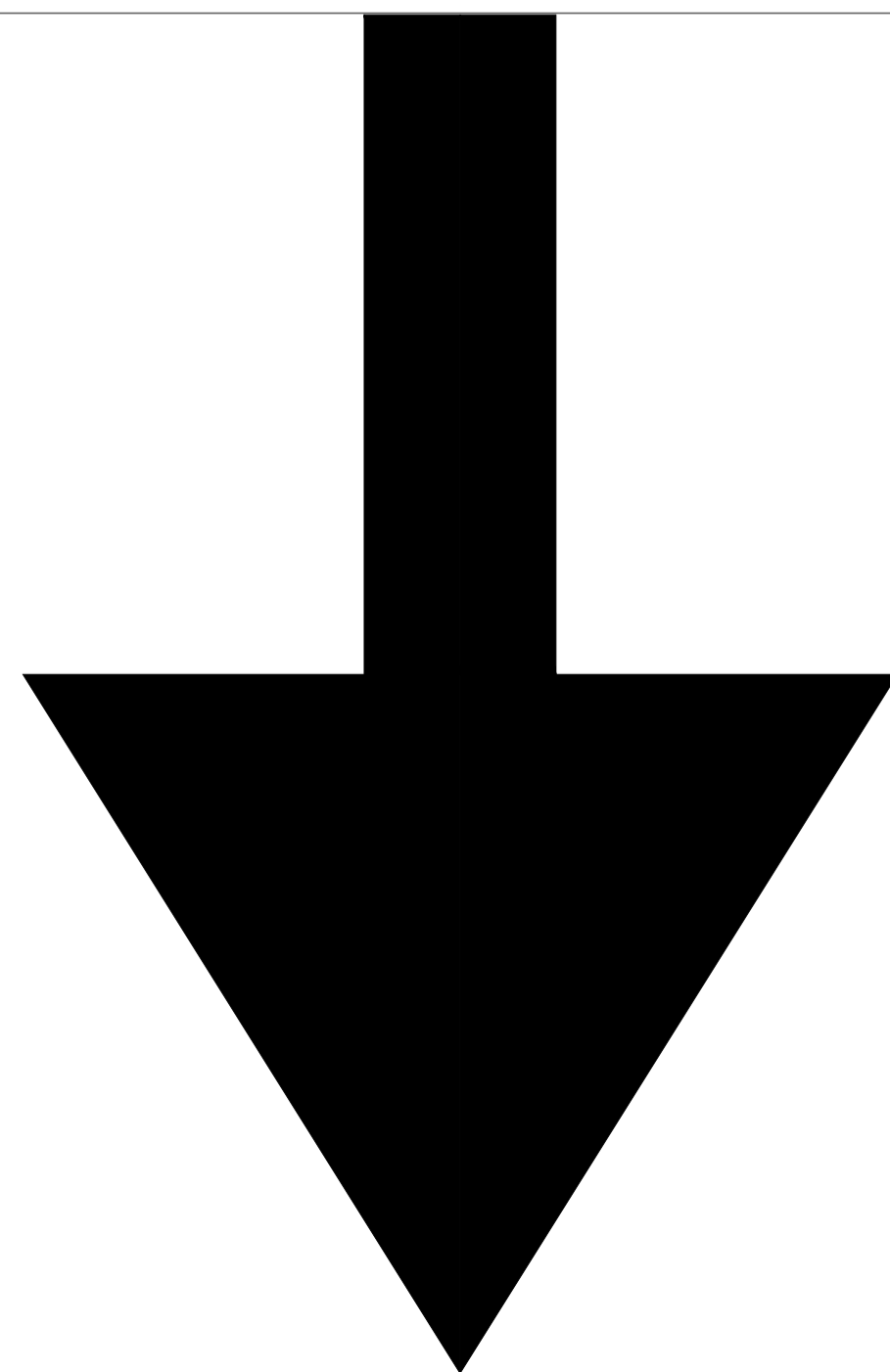
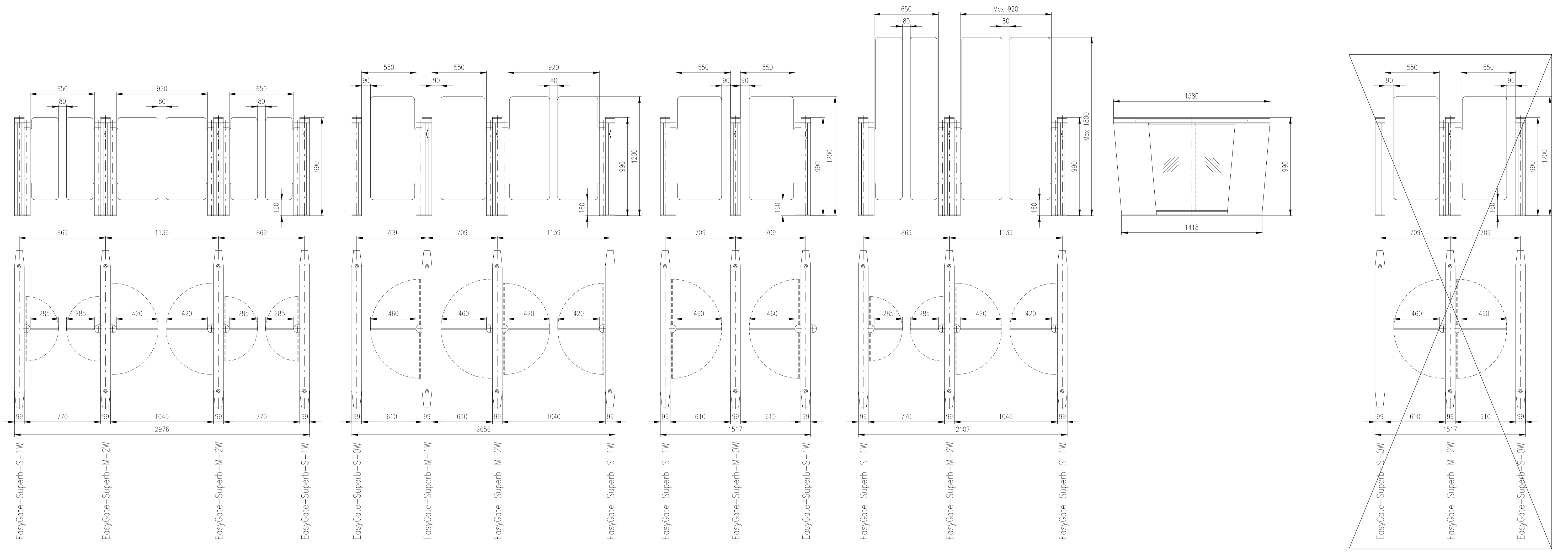


EASYGATE

Superb

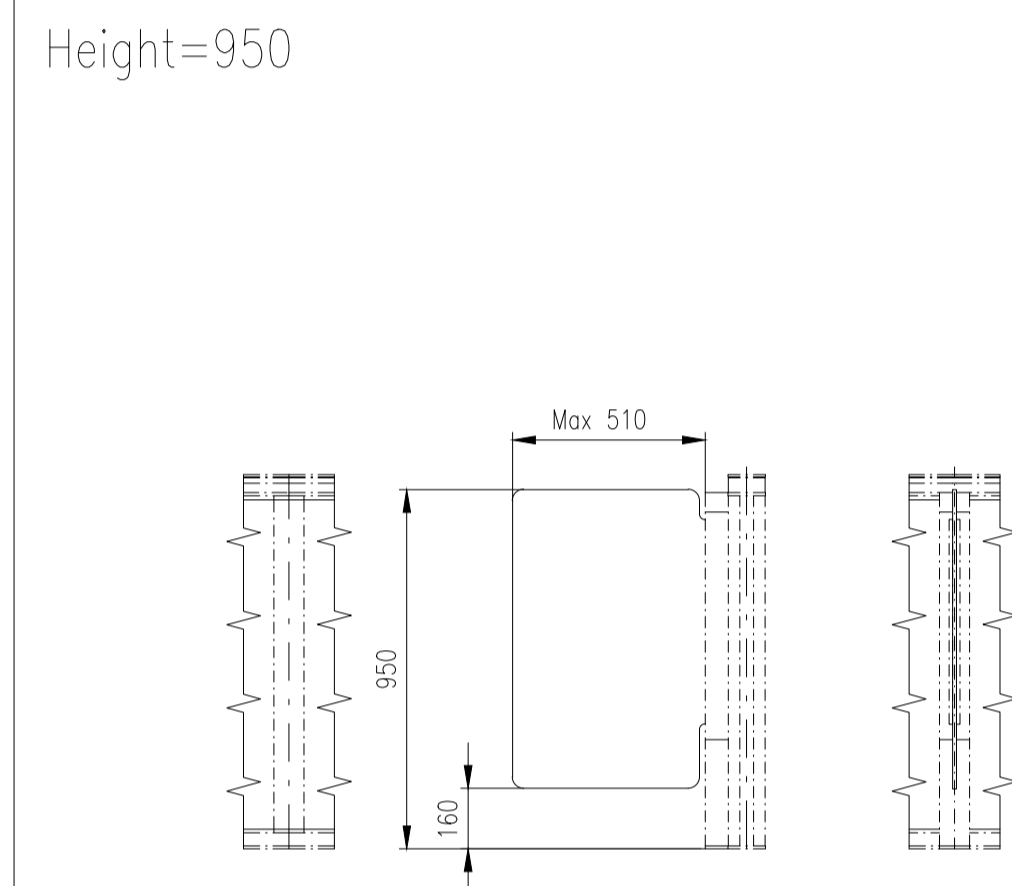
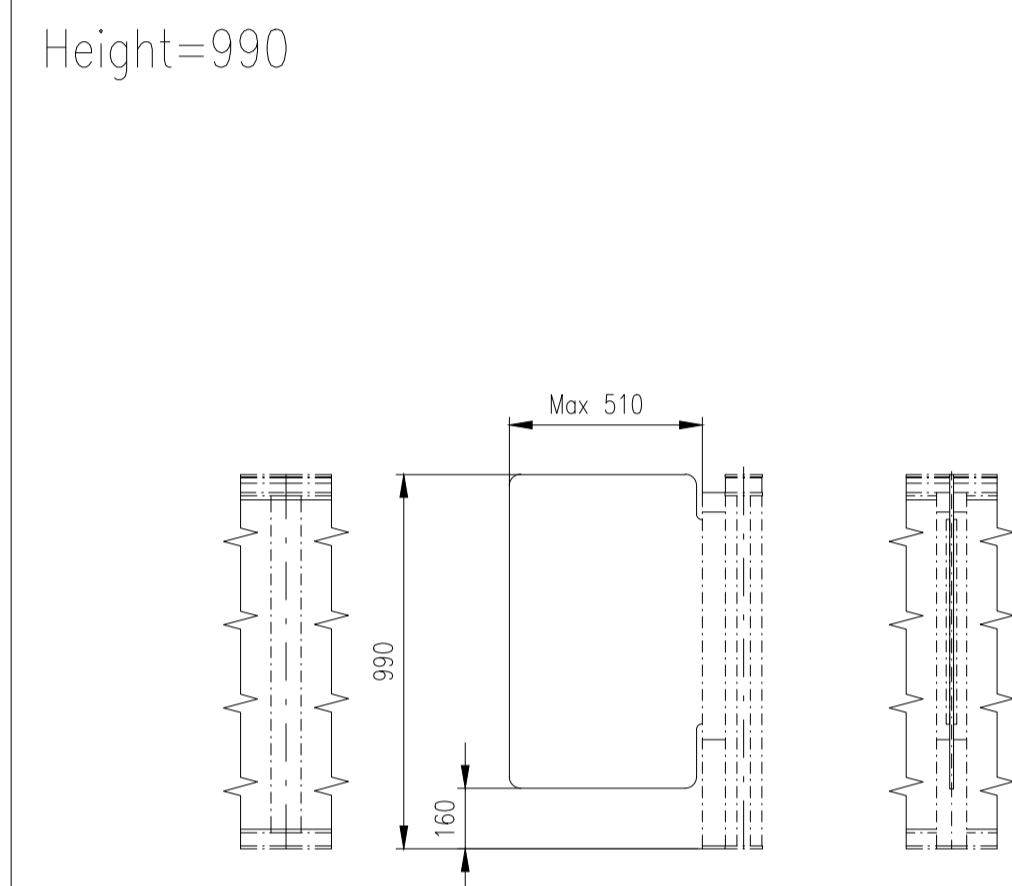
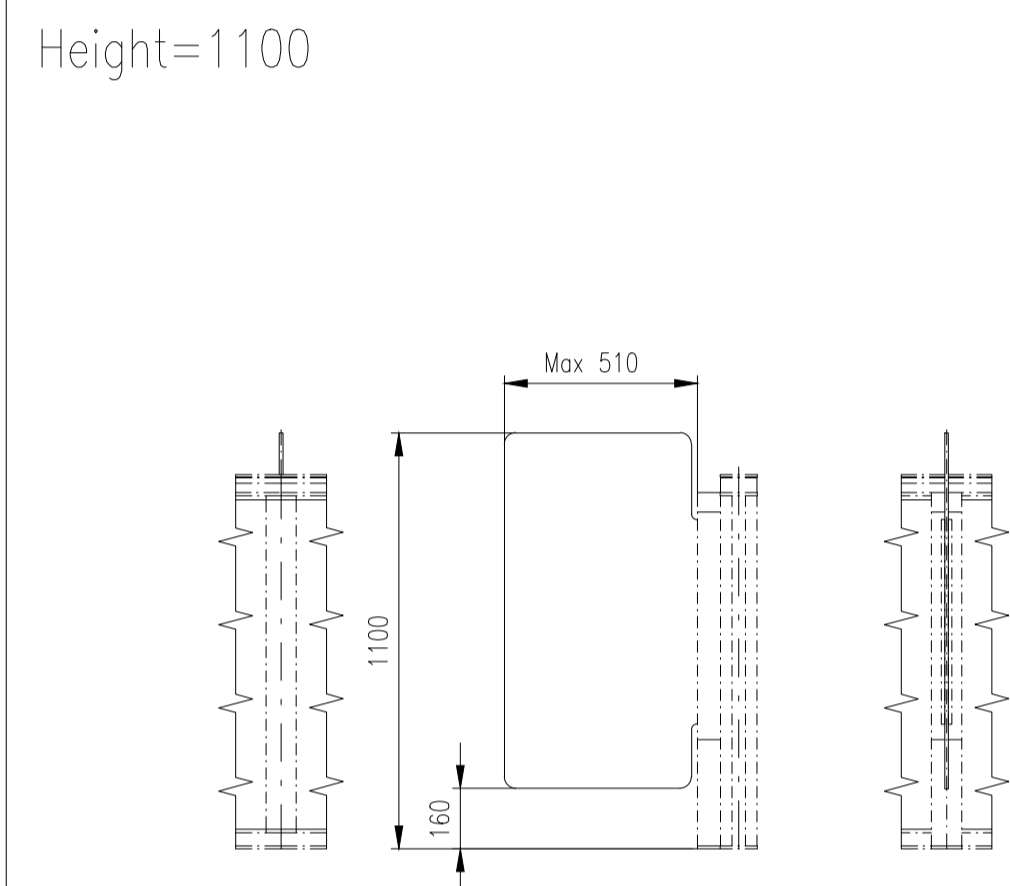
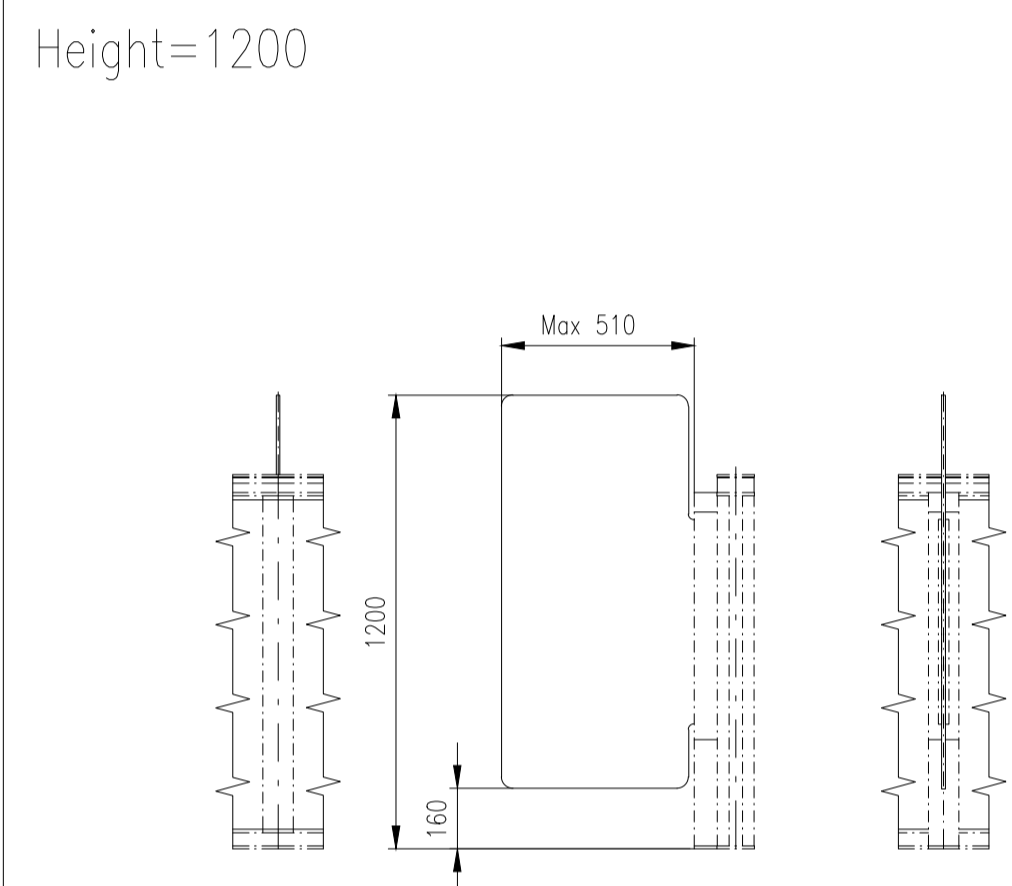
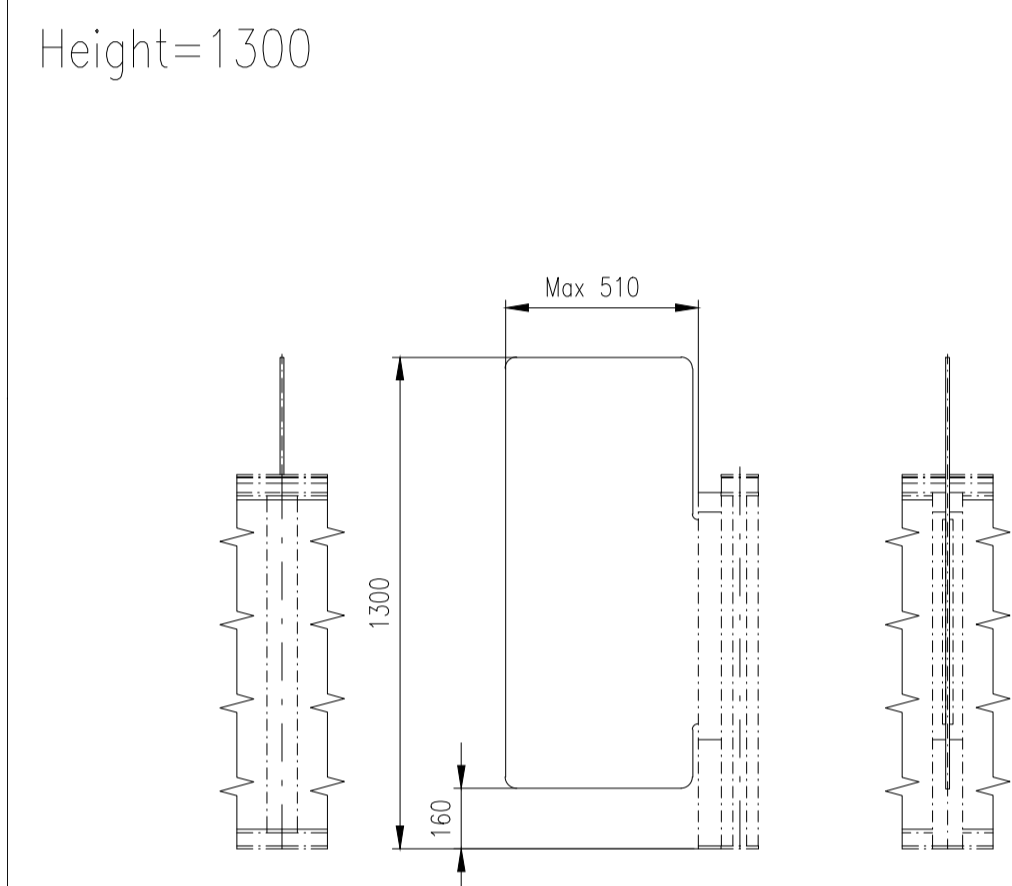
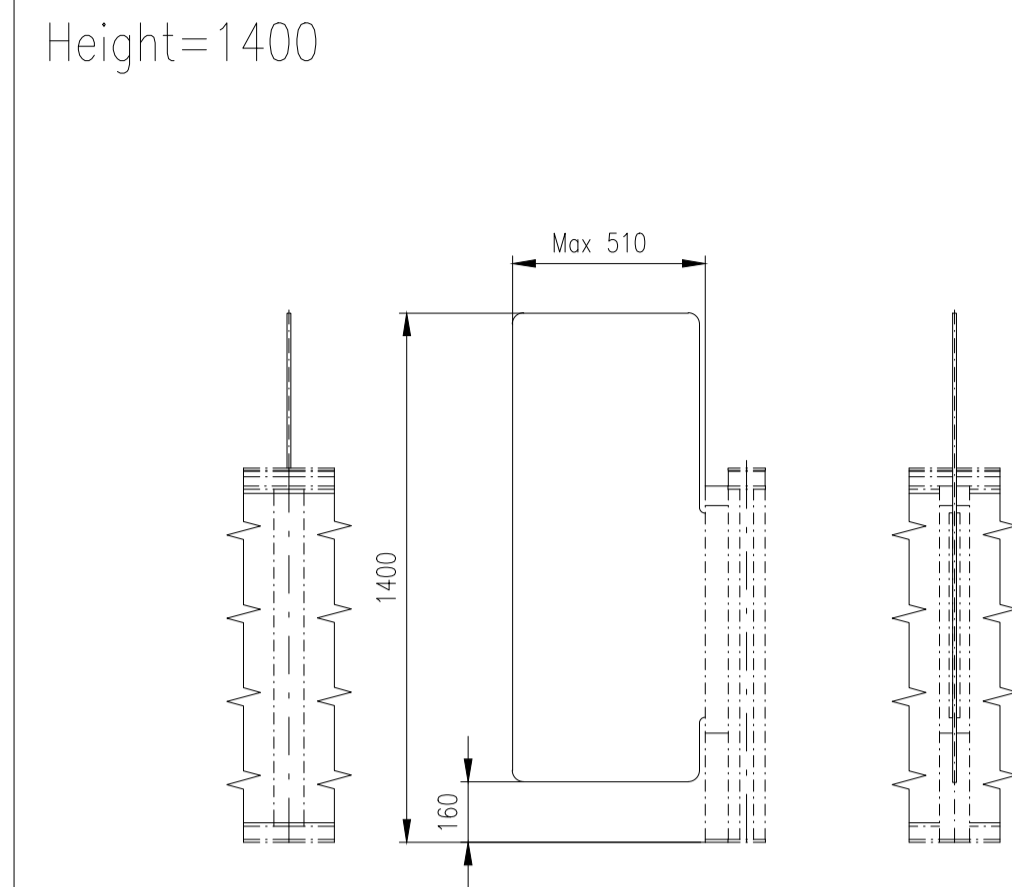
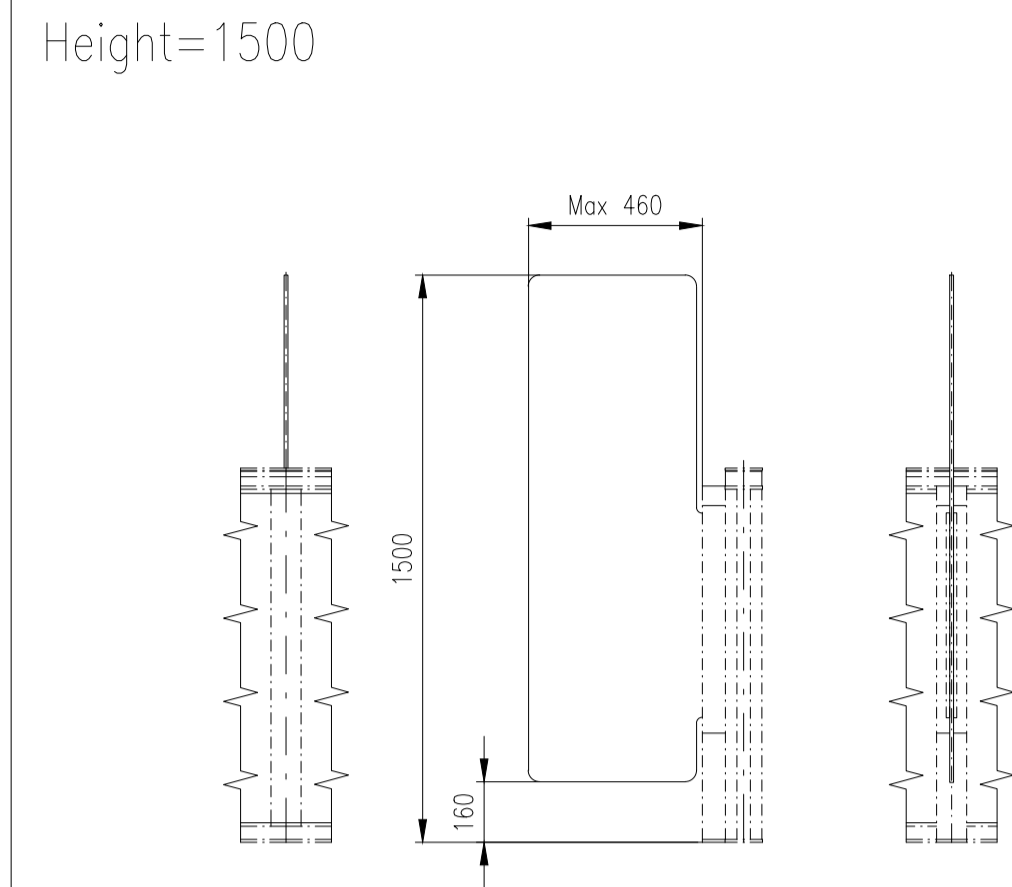
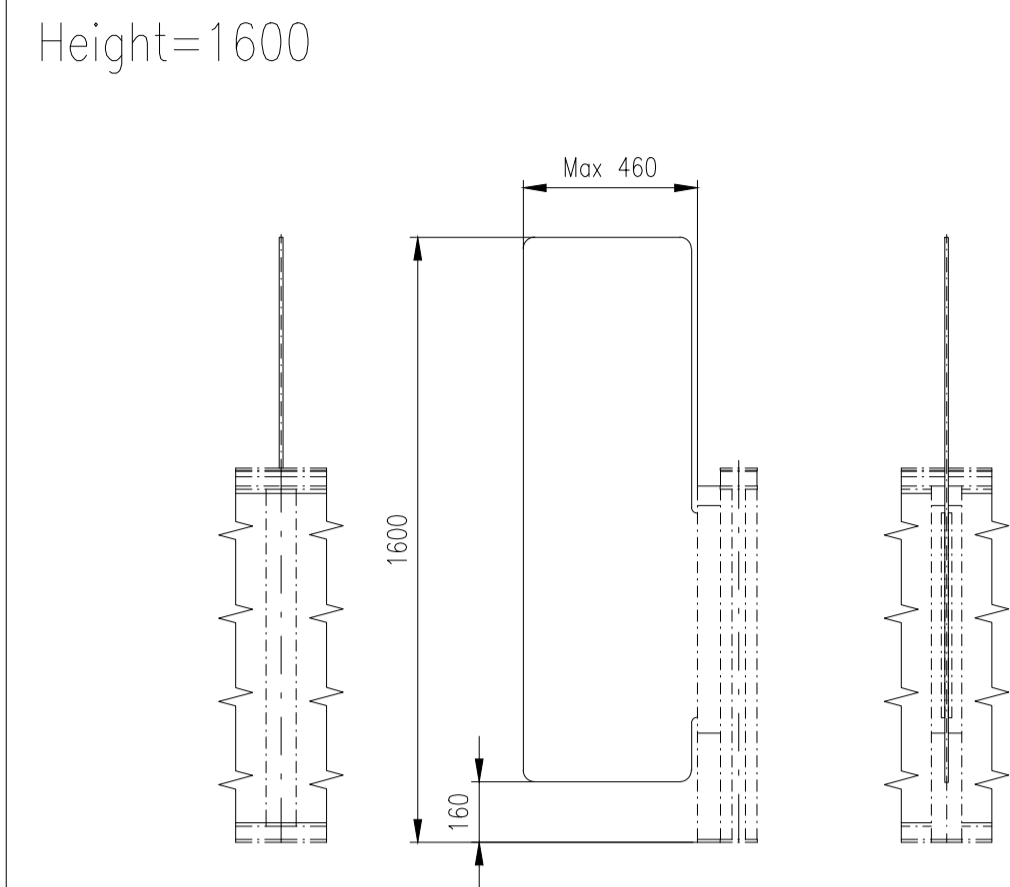
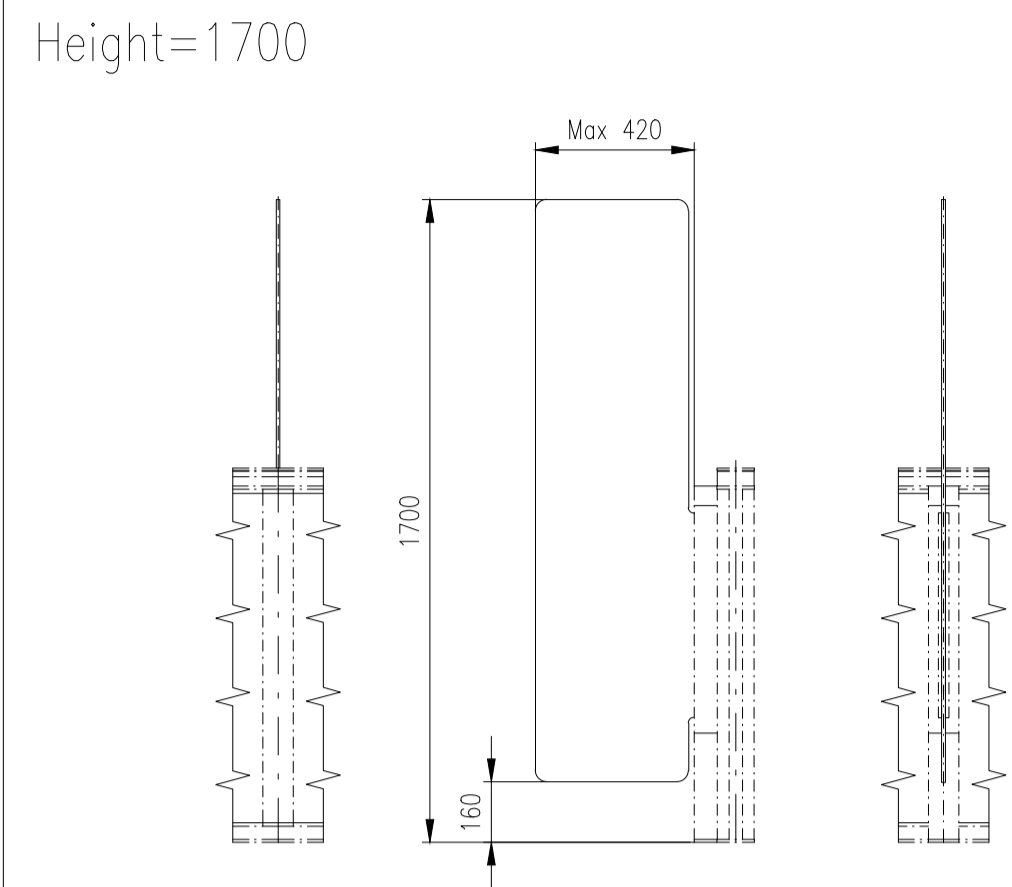
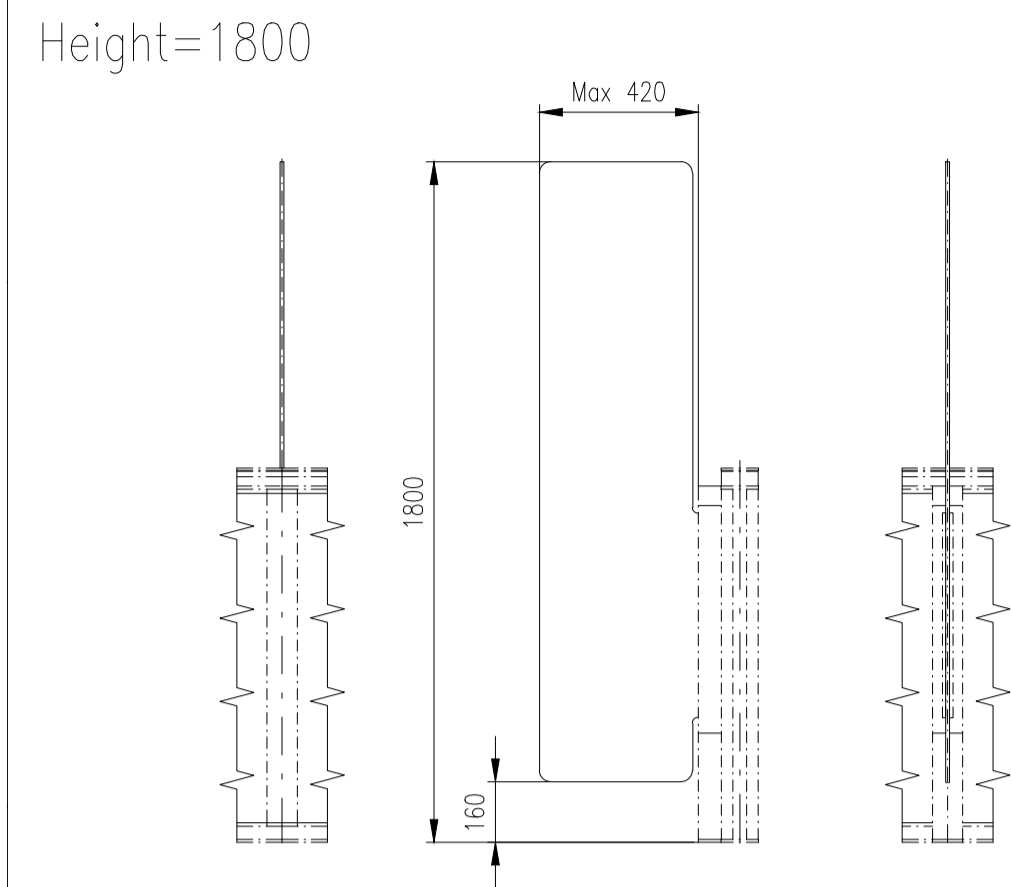


Design of turnstiles: EASYGATE-Superb (Example of installation)

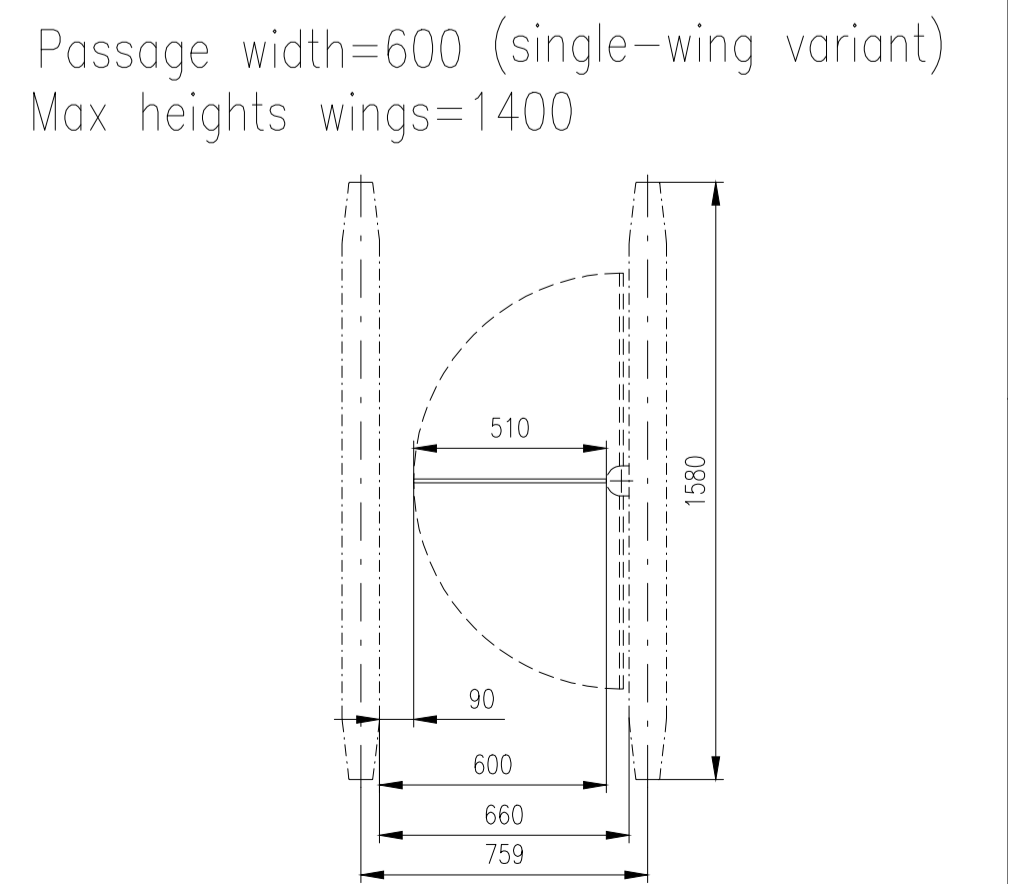
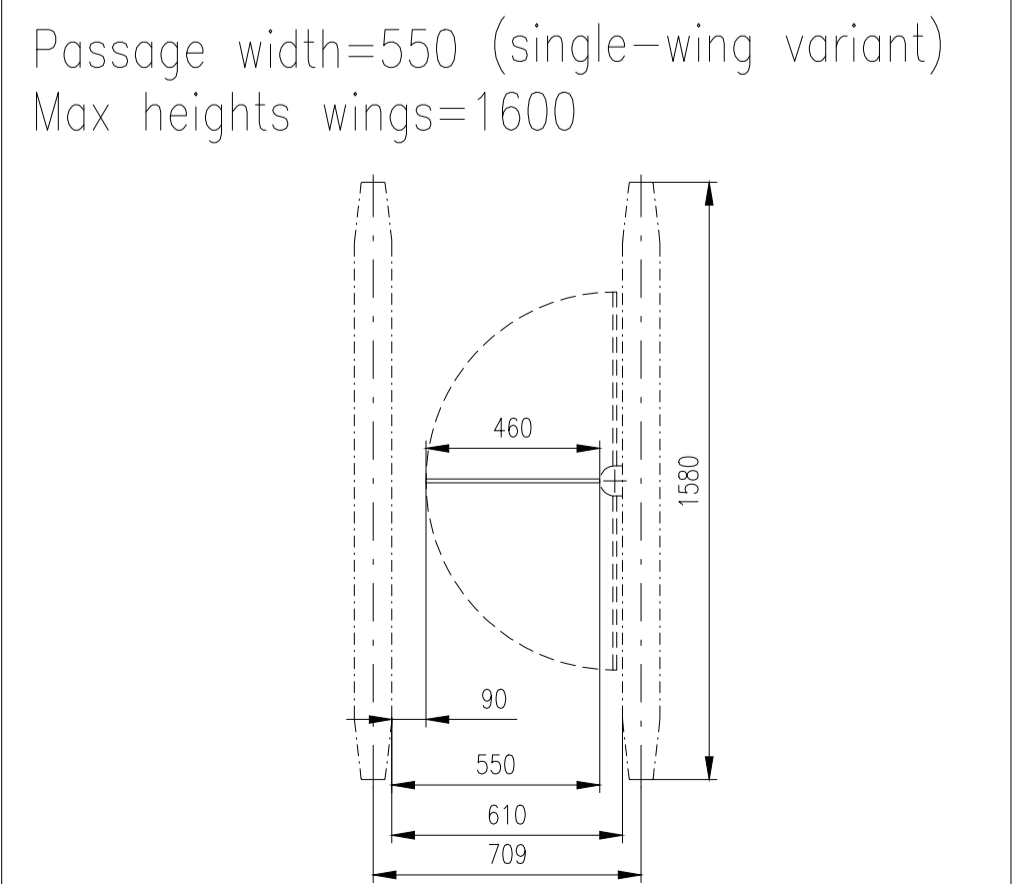
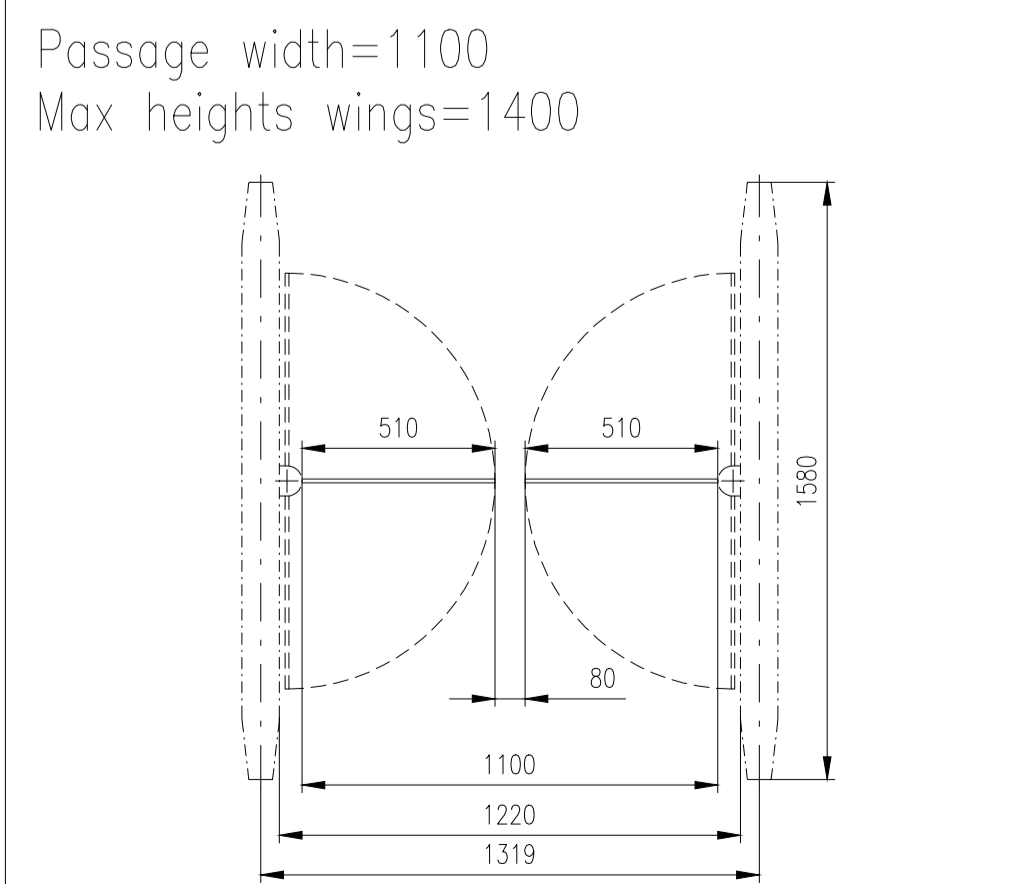
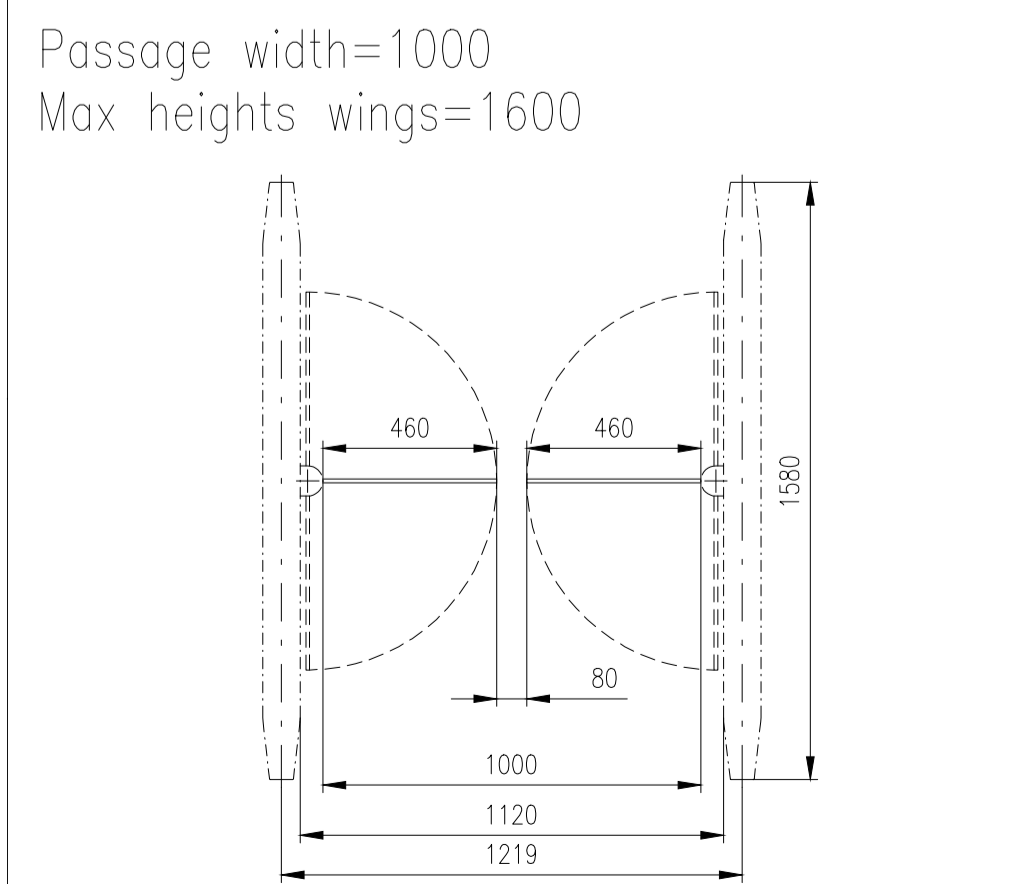
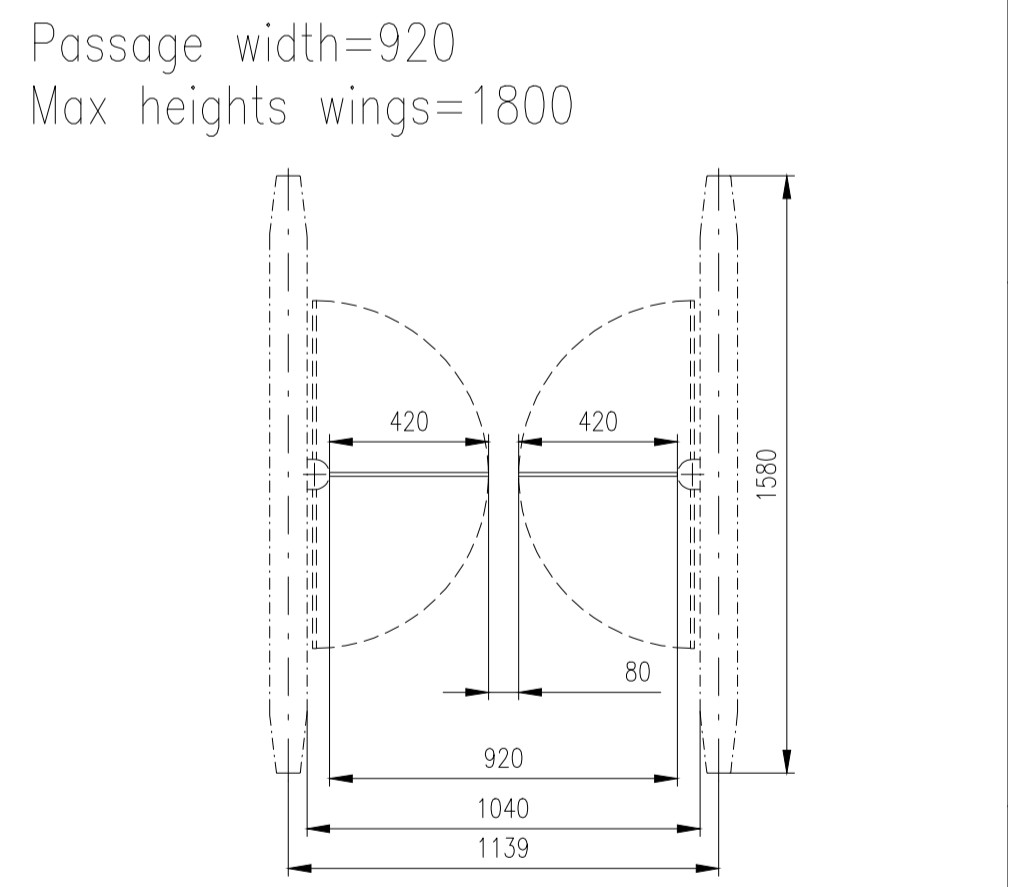
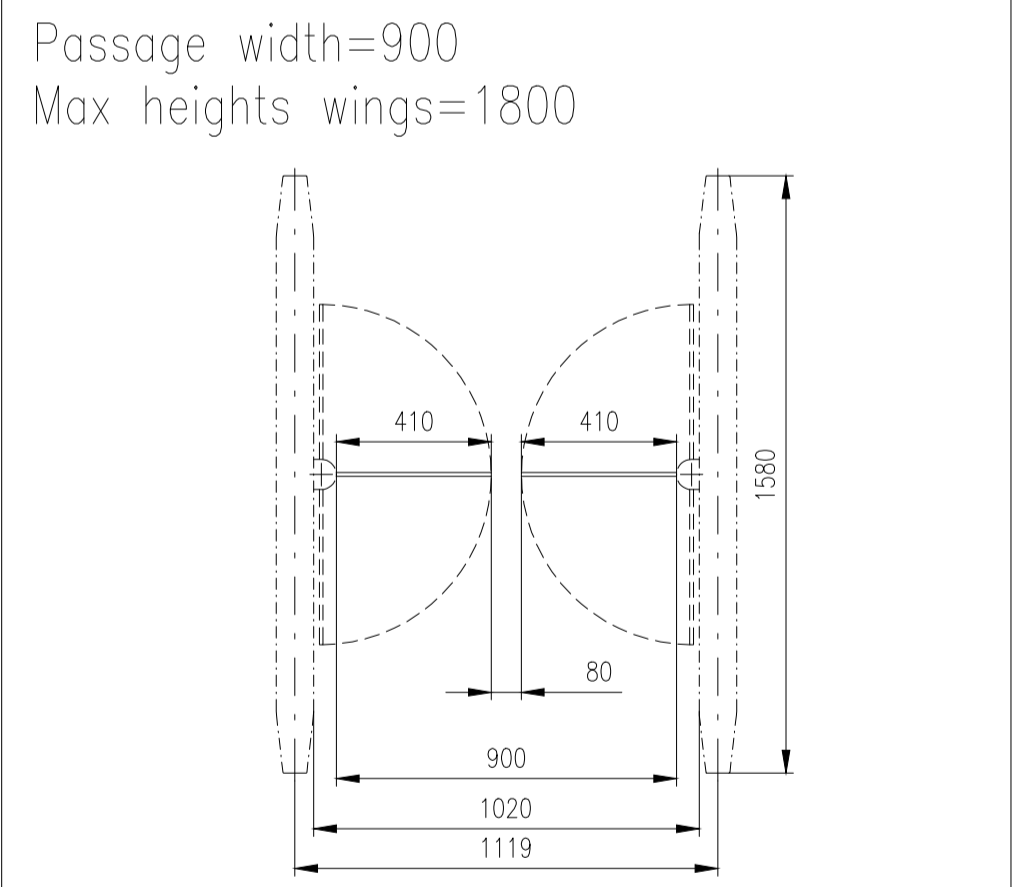
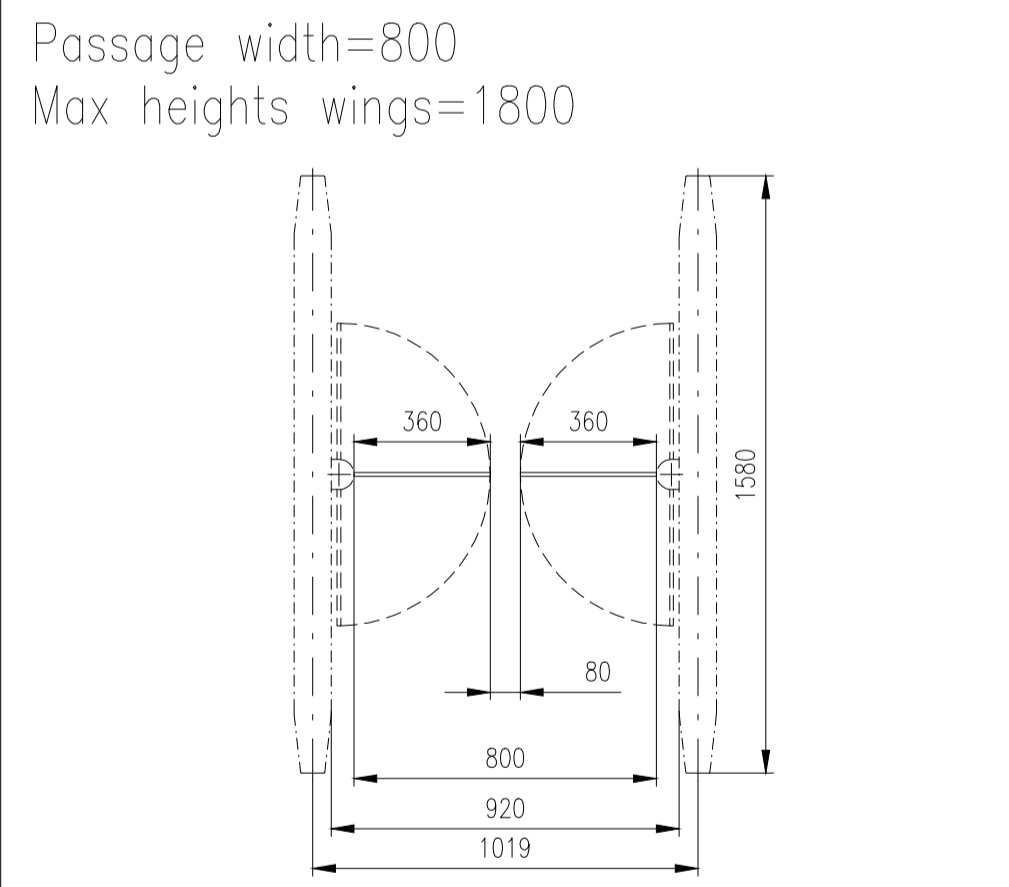
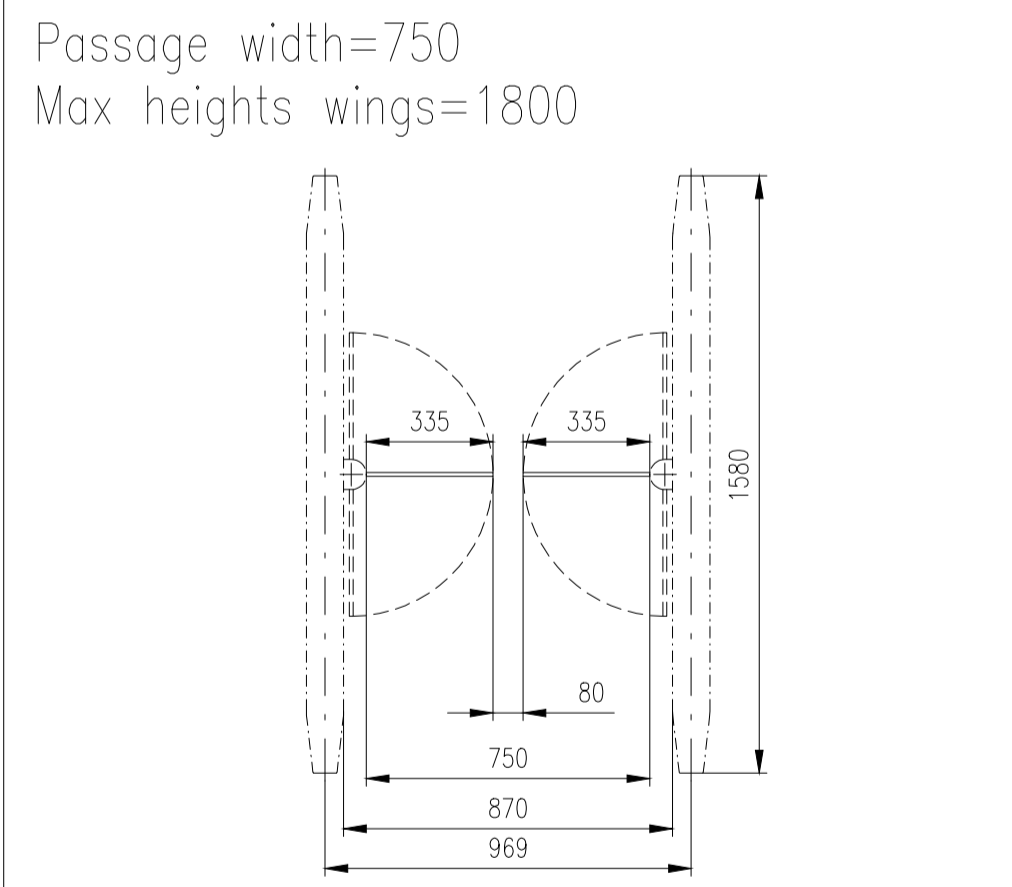
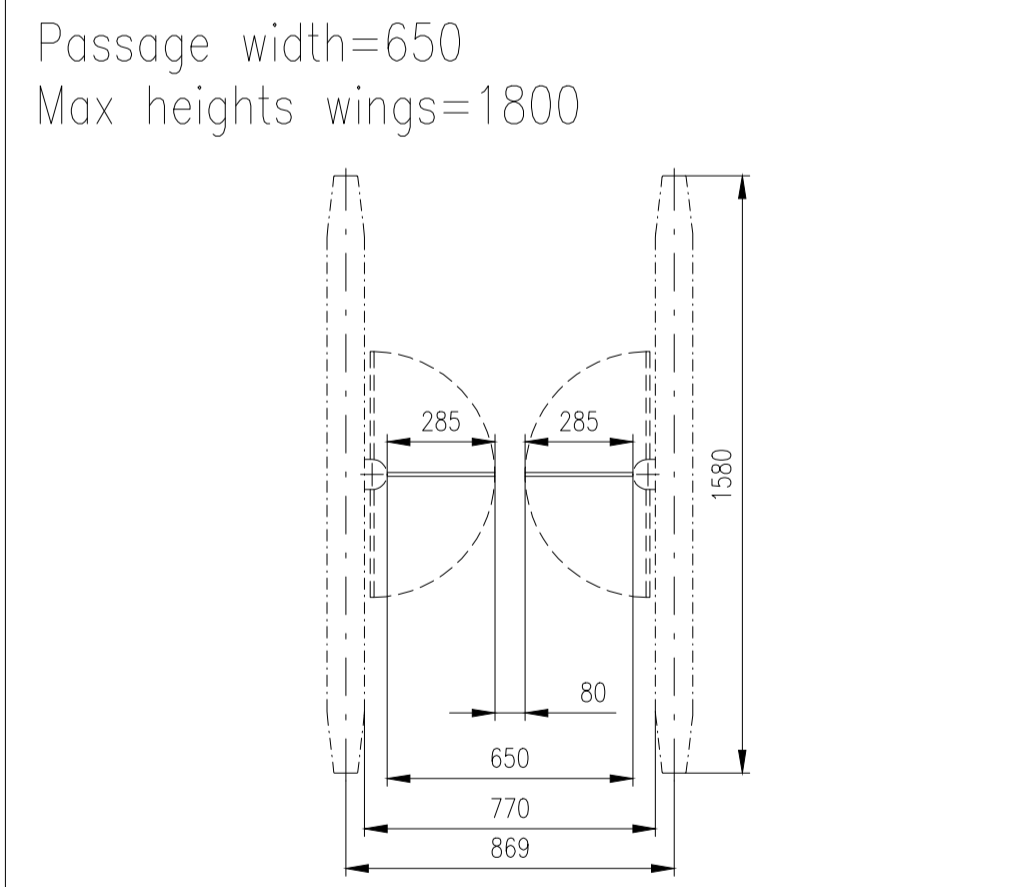
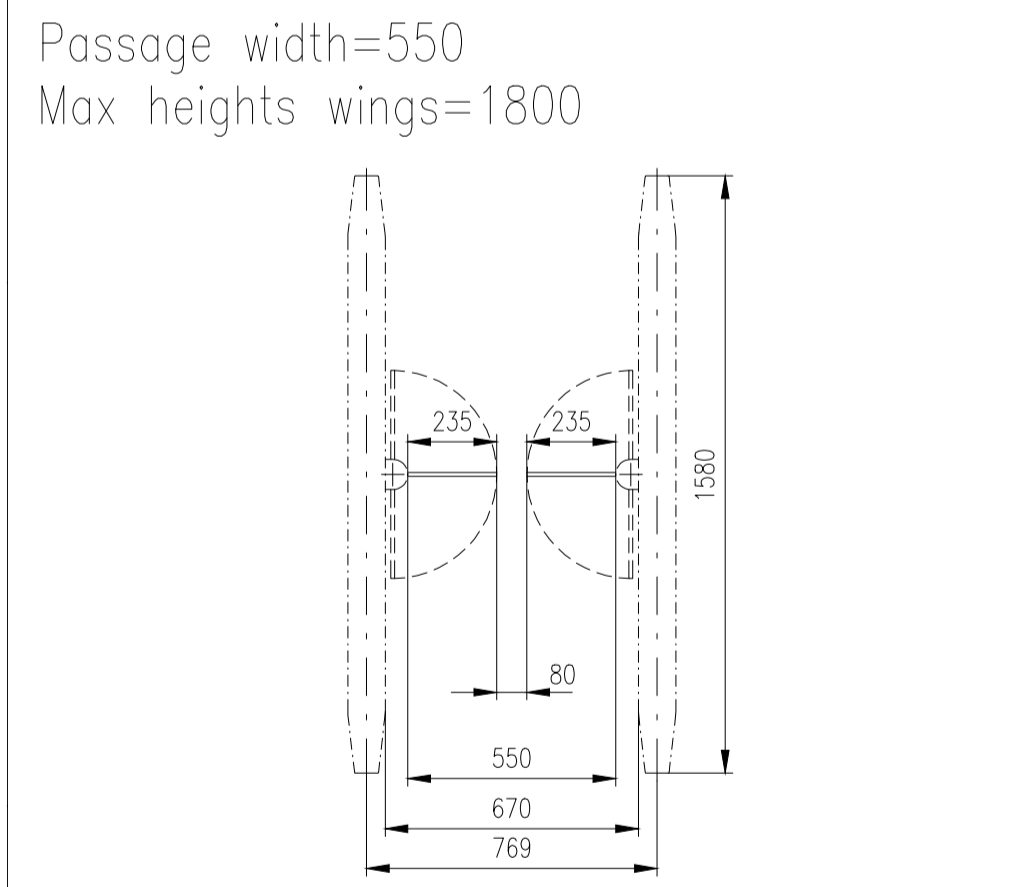


EasyGate-Superb-S-1W EasyGate-Superb-M-2W EasyGate-Superb-M-2W EasyGate-Superb-S-1W
 EasyGate-Superb-S-0W EasyGate-Superb-M-1W EasyGate-Superb-M-2W EasyGate-Superb-S-1W
 EasyGate-Superb-S-1W EasyGate-Superb-M-0W EasyGate-Superb-S-1W
 EasyGate-Superb-S-1W EasyGate-Superb-M-2W EasyGate-Superb-S-1W
 EasyGate-Superb-S-0W EasyGate-Superb-M-2W EasyGate-Superb-S-0W

Design of turnstiles: EASYGATE-Superb (selection heights wings)

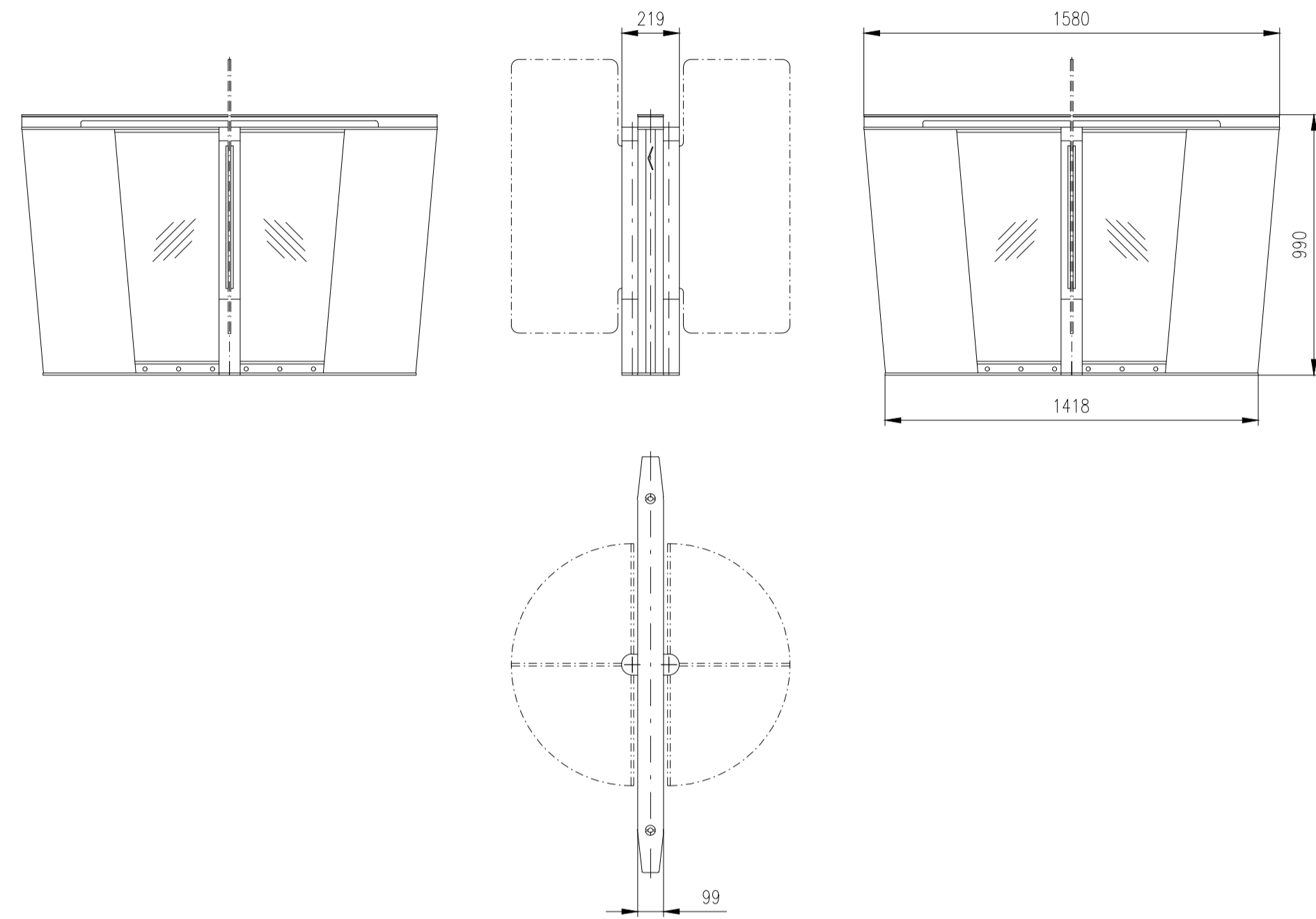


Design of turnstiles: EASYGATE-Superb (selection of passage width)

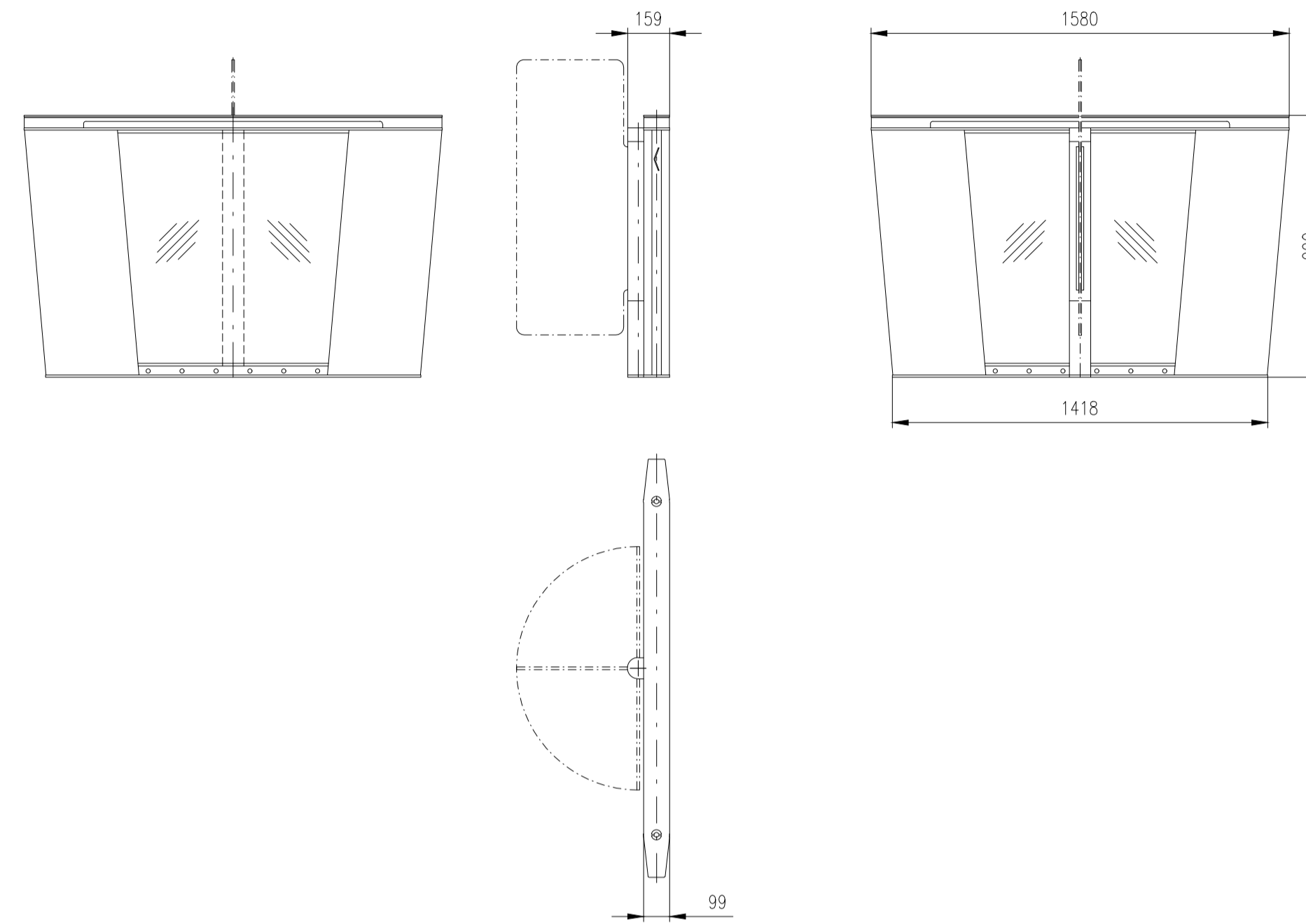


Design of turnstiles: EASYGATE–Superb (Wing: toughened glass 10mm/infill glass panel 6mm)

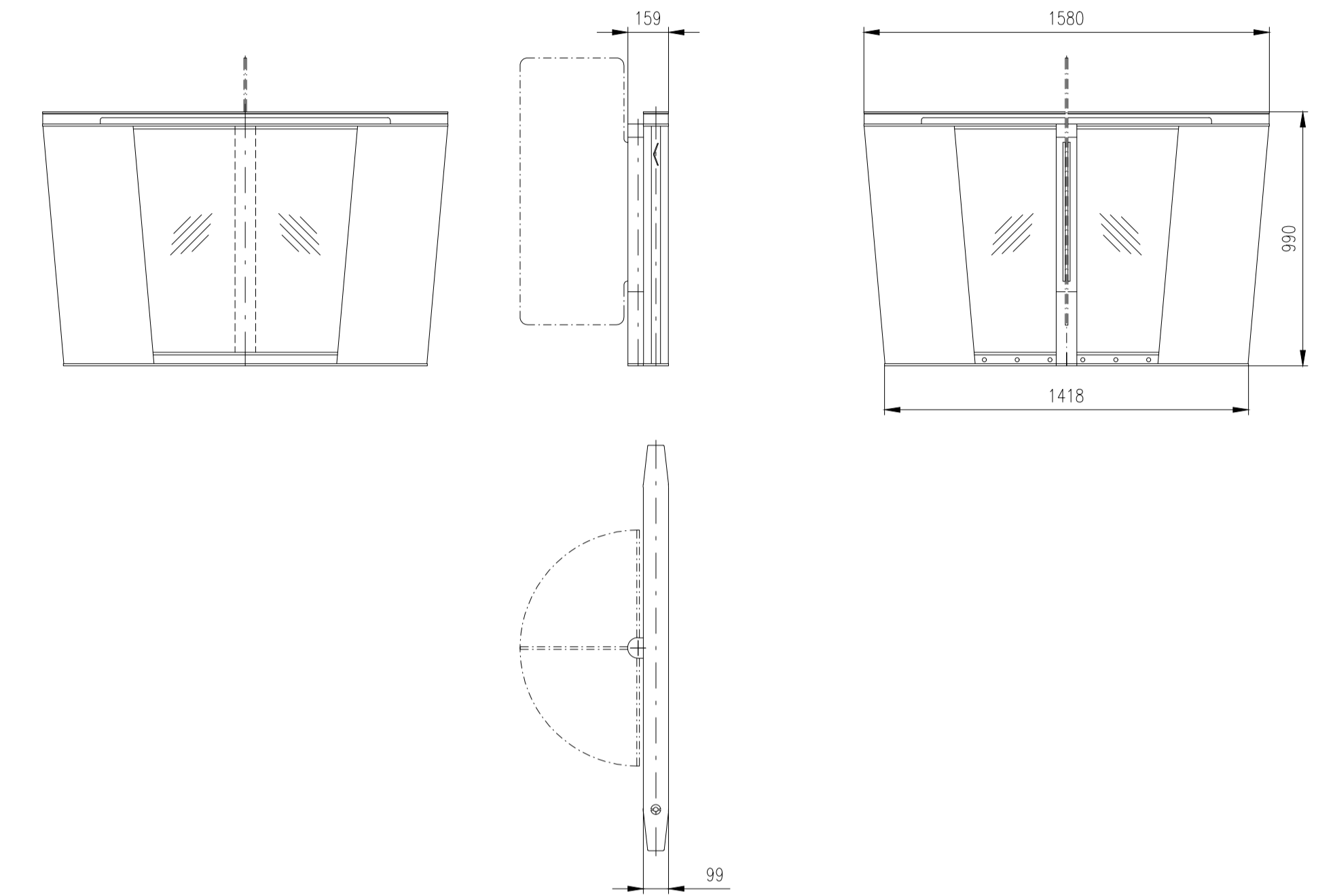
Turnstile: EasyGate–Superb–M–2W



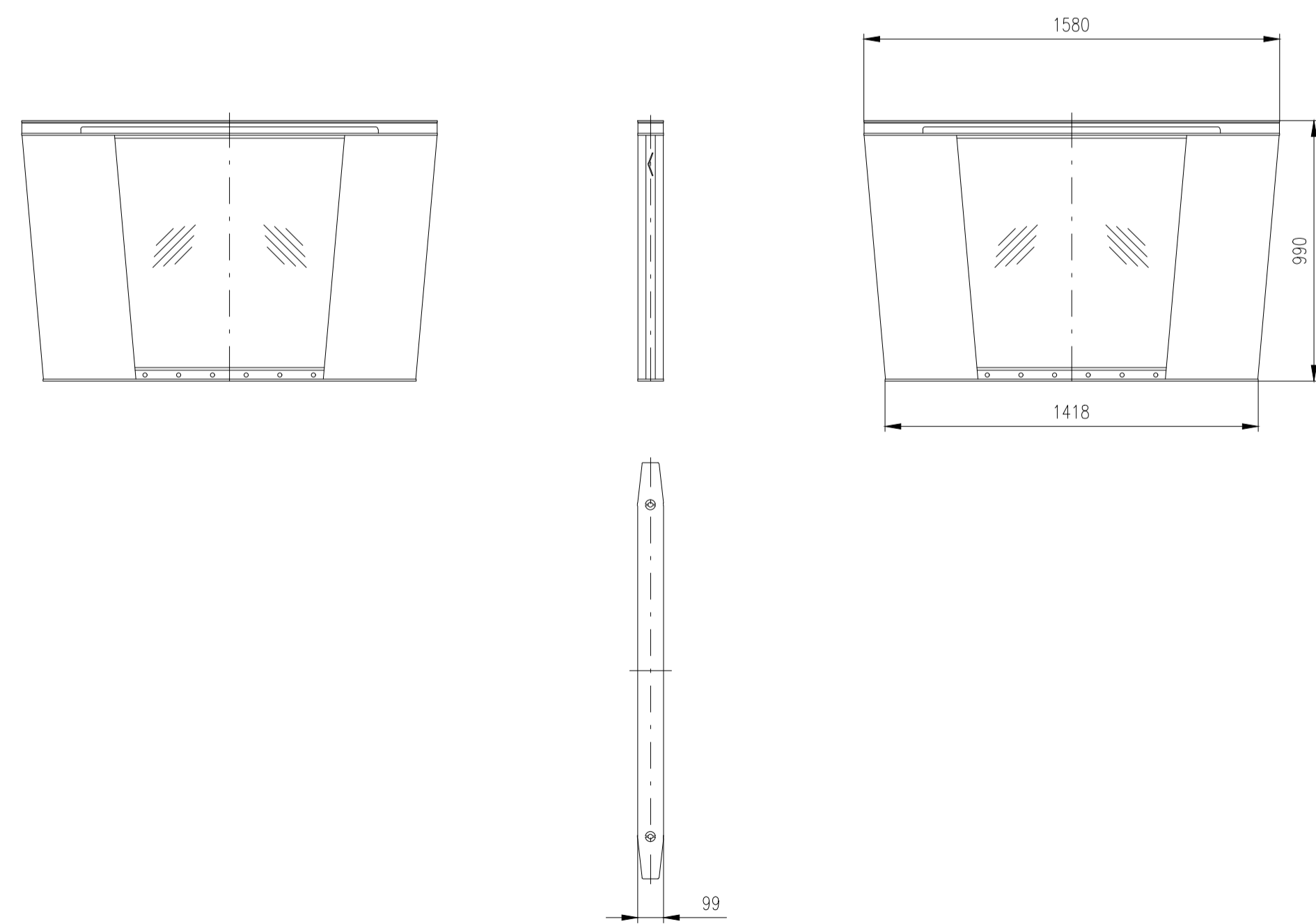
Turnstile: EasyGate–Superb–M–1W



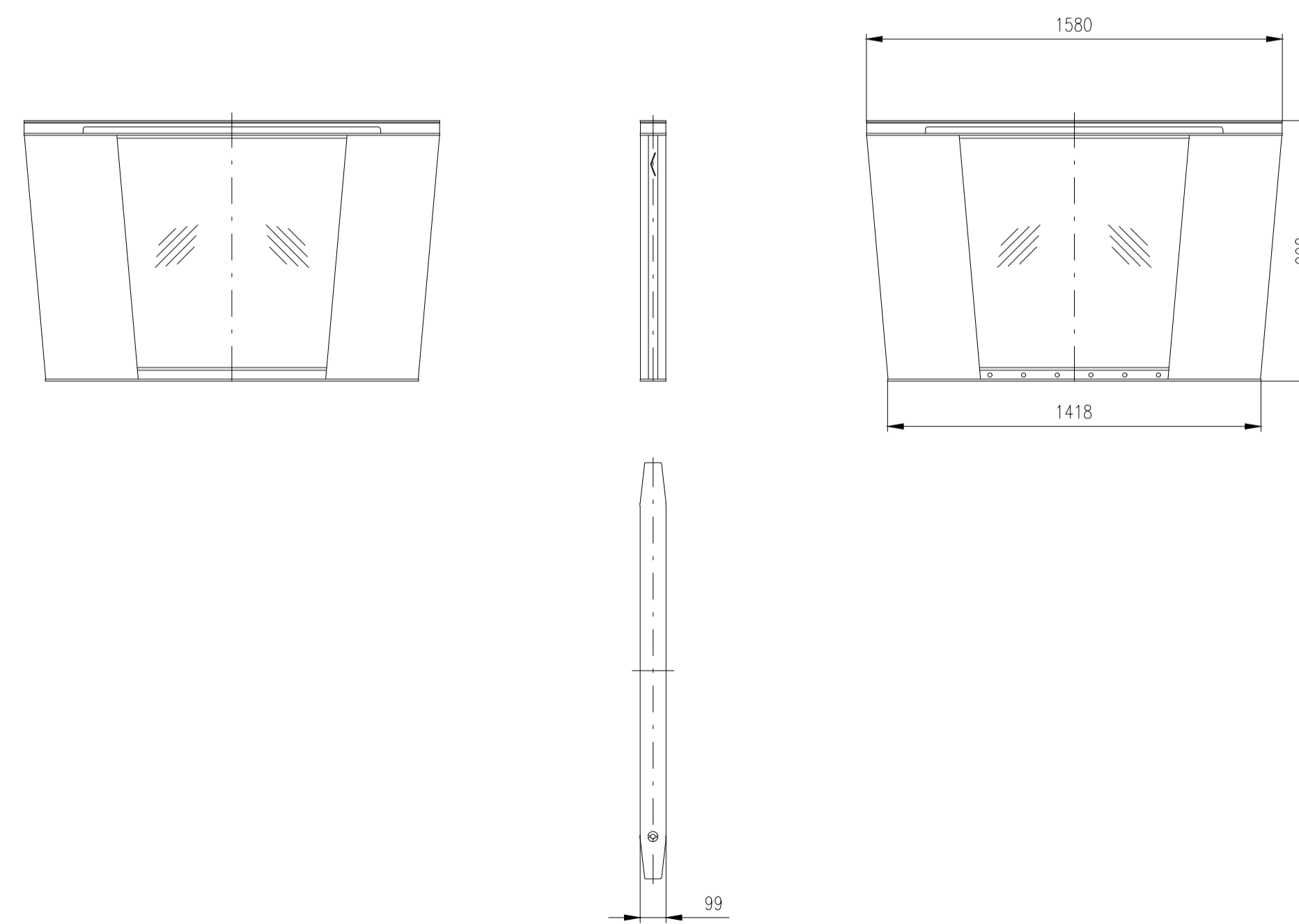
Turnstile: EasyGate–Superb–S–1W



Turnstile: EasyGate–Superb–M–0W

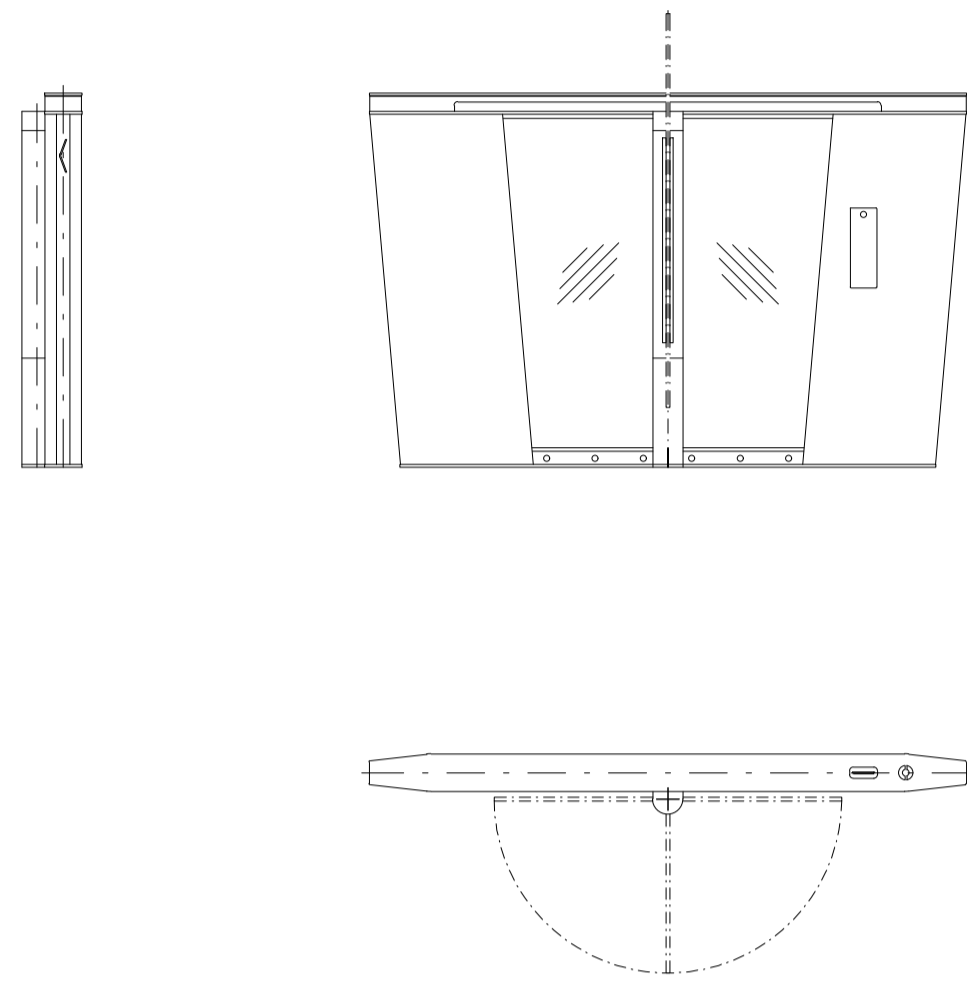


Turnstile: EasyGate–Superb–S–0W



Modification of turnstiles: EASYGATE-Superb

Modification for Card Collector (Top)



Modification for scanner NLS-FM430 (Front)
(can not Lane Light)

