

EasyGate SPT Bike

The EasyGate SPT-Bike Speed Gate is a new and innovative solution to provide secure access to cycle parks. The SPT-Bike enables only verified users to gain access to the cycle parking area, with or without a bike. A combination of user and bike detection ensure the glass wings remain open until the passage is complete, whilst preventing any tailgating attempts. The waist height cabinets and transparent high glass wings provide a robust yet open feel to a cycle entrance.

MAIN FEATURES

- Anti-tailgating detection
- High throughput - up to 15 bike users per minute
- Innovative bike detection
- Maximum locking performance - Hardened tooth lock brake

DIMENSIONS

Cabinet height: 999mm
 Cabinet length: 2000mm
 Cabinet width: 210mm
 Barrier height: 1800mm

NUMBER OF WINGS

2 Wings

PASSAGE WIDTH

Standard width: 900mm
 Max Passage width: 1000mm

BASE AND HOUSING

Brushed Stainless Steel (AISI 304)

TOP LID

Black Glass Panel

BARRIER

Glass Wing (10mm, tempered)

SIDE INFILL PANEL

Brushed Stainless Steel

POWER SUPPLY

230V AC

COMMUNICATION INTERFACE

RS-485/ USB/ Ethernet

NUMBER OF SENSORS

36 pairs

Meesons A.I. Ltd | Cardea House | Sidings Business Park
 Skipton | North Yorkshire | BD23 1TB



TAILGATING AND CROSS OVER DETECTION

Yes

CLIMB OVER DETECTION

Yes - electronic detection

PLINTHS

Anti-slip rubber matting

RANGE OF OPERATING TEMPERATURE

+10°C to +50°C
 -25°C to +50°C with heating module

OPERATING ENVIRONMENT

Indoor/ Outdoor (IP 53 Rated)

EMERGENCY MODE

Open manually or automatically
 (with power backup)

BRAKE CONTROL FUNCTION

Brake force in excess of 650N, Hardened tooth lock brake

MCBF

10,000,000 cycles (Based on recommended maintenance schedule)

BIKE DETECTION

Induction loop system with two zones per passage lane

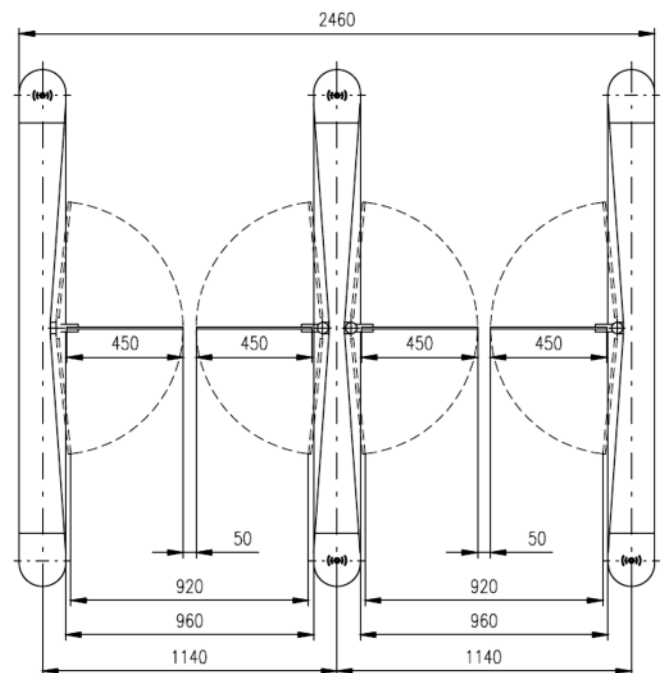
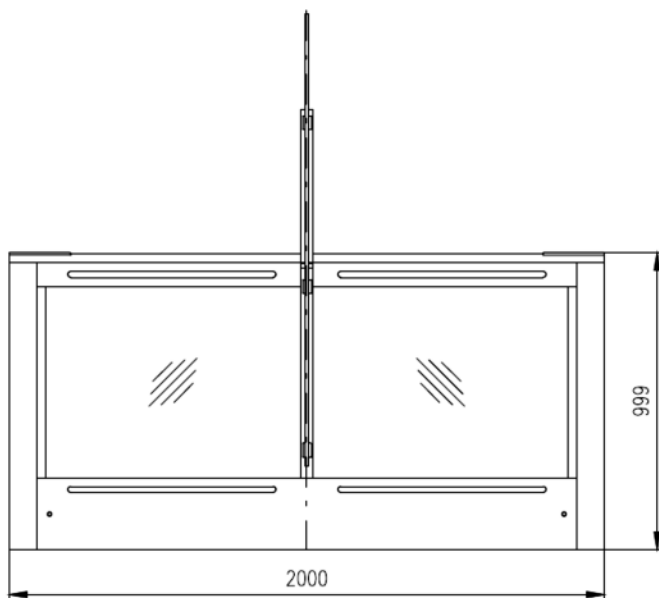
Tel: 0870 787 7846

Email: enquiries@meesons.com

www.meesons.com

OPTIONAL ACCESSORIES

- Polycarbonate wings
- LED lane light
- Edge light
- Pressure sensing tops
- Wing light (indoor only)
- Hinge capping
- Integrated visitor card collector
- Integrated 3rd party terminals – lift controller/ ticket readers/ biometrics etc
- WAV player
- Touch Panel/ EasyTouch
- Tmon sw, Passage Scheduler
- Remote diagnostics
- Mounting Consoles/ Base Plates



As our policy is to continually improve the products we offer, we reserve the right to amend specifications without prior notice. Further product drawings are available on request