

PU30 EntraQuick® Gate

The PU30 EntraQuick Bi-Folding Gate is an innovative single leaf trackless gate providing the ultimate security for vehicle access points due to its full height perimeter protection, rapid operating times and impact resistance. The gate is designed for continuous operation and is therefore perfect for use at highly frequented locations such as logistic centres or ports.

MAIN FEATURES

- Unique self-locking arrestor system
- High speed opening and closing
- Low maintenance
- Anti-corrosion protection coating

Design

Single leaf Quick Folding Gate with folding leaf, drive post, receiving post, self-locking arrestor system, electro-mechanical drive and control unit.

Impact Energy

241 kJ (2.5 t @ 50 km/h)

Certification

PAS 68V/2500[N1G]/48/90/1.2/0.0
IWA 14-1 V/2500[N1G]/48/90/1.3
Tested with 4000mm clear width

Clear Width (CW)

2000 – 4000mm in 500mm increments

Distance between Posts

CW + 400mm

Gate Height

2050, 2550 and 3050mm incl. 100mm ground clearance

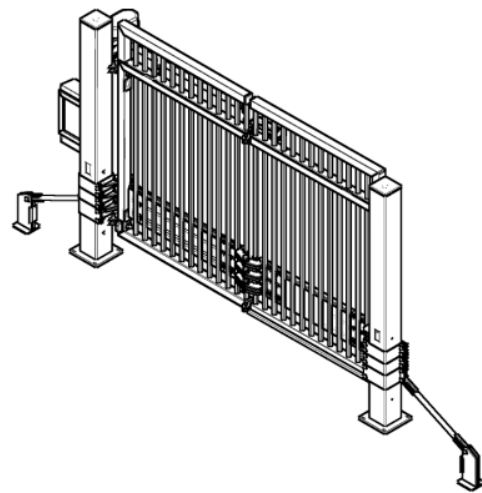
Gate Infill

Bar infill made of square hollow section SHS 30 with max. 120mm clear distance.

Frame Profile

Square hollow section SHS 100x5 (inner/leading gate leaf)
Square hollow section SHS 100x4 (outer/trailing gate leaf)

Meesons A.I. Ltd | Cardea House | Sidings Business Park
Skipton | North Yorkshire | BD23 1TB



Drive/ Receiving Post

Square hollow section SHS 260x10 with base plate to bolt on

Opening Direction

Left hand, opening inwards or right hand, opening inwards (standard)

Left hand, opening outwards or right hand, opening outwards

Lowered Foundation

Top edge of foundation 200mm below finished floor level

Operating Speed

Max. 0.5 m/s (depending on CW)

Drive

Electric drive 0.37 kW, 3~ 230 V Δ, 50 Hz

Emergency Operation

By manual release of drive arm

Supply Voltage

230 V (1Ph + N + PE), 50 Hz

Control Unit

Automatic control (maintained command) WE-Tronic II with frequency converter, control voltage 24 V DC

Tel: 0870 787 7846

Email: enquiries@meesons.com

www.meesons.com

Control Box HxWxD

600 x 400 x 210mm, IP66

With rain cover, mounted to drive post (standard)

For wall installation inside a building, max. distance 50m (optional)

In separate outdoor cabinet = 1200 x 600 x 400mm incl. 200mm high socket, max. distance 50 m (optional)

Safety Devices

4 nos. safety edges

Light beam between drive post and receiving post at car and HGV height as well as in separate light beam posts on the side of the folded gate leaf at car height

Active infrared-presence detector (for EntraQuick with 2050mm gate height)

Safety Standards

Based on the design of the according to DIN EN 13241-1:2003 type-tested EntraQuick® II and furnished with identical standard safety devices

Control Devices (Standard)

1 no. key switch OPEN / STOP / CLOSE in drive or receiving post

Control Devices (Optional)

Induction loops, additional light beam in light beam posts at HGV height, additional key switch OPEN/ CLOSE / STOP, key switch OPEN / CLOSE / EMERGENCY STOP, key switch ON / OFF for automatic closing etc., key switch partial opening, key switch fire brigade, remote control with hand held transmitter, table top push button, timer, code key pad, card reader, intercom system

Signalling Devices (Optional)

Flashing permanent light or rotating beacon (LED), LED spot light, traffic light

Options

Serrated top edge, steel spikes (from 2550mm gate height), key safe, fence connection systems, special infills on request

Weight

Approx. 1450kg for maximum applicable dimension

Finish

Hot-dip galvanized, cleaned and powder coated to provide a long-term anti-corrosion protection coating according to DIN 55633 corrosion. Category C5, high durability and C5-industrial and marine atmosphere, medium durability respectively (Industrial areas with high humidity and aggressive atmospheres and Marine, offshore, estuaries, coastal areas with high salinity).

To ensure the lifespan of the paint, the product must be maintained in line with the recommended maintenance schedule

Temperature Range

Control unit: -10 °C ... +50 °C

Drive: -45 °C ... +50 °C

As our policy is to continually improve the products we offer, we reserve the right to amend specifications without prior notice. Further product drawings are available on request

Document: 2093465

Version: b

changed: 07.03.2019