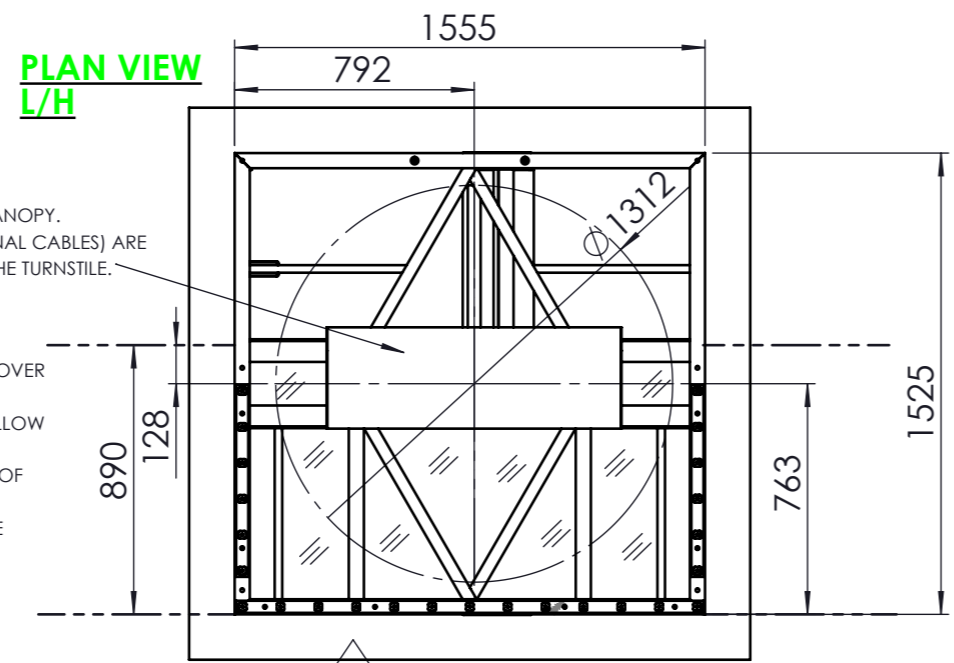


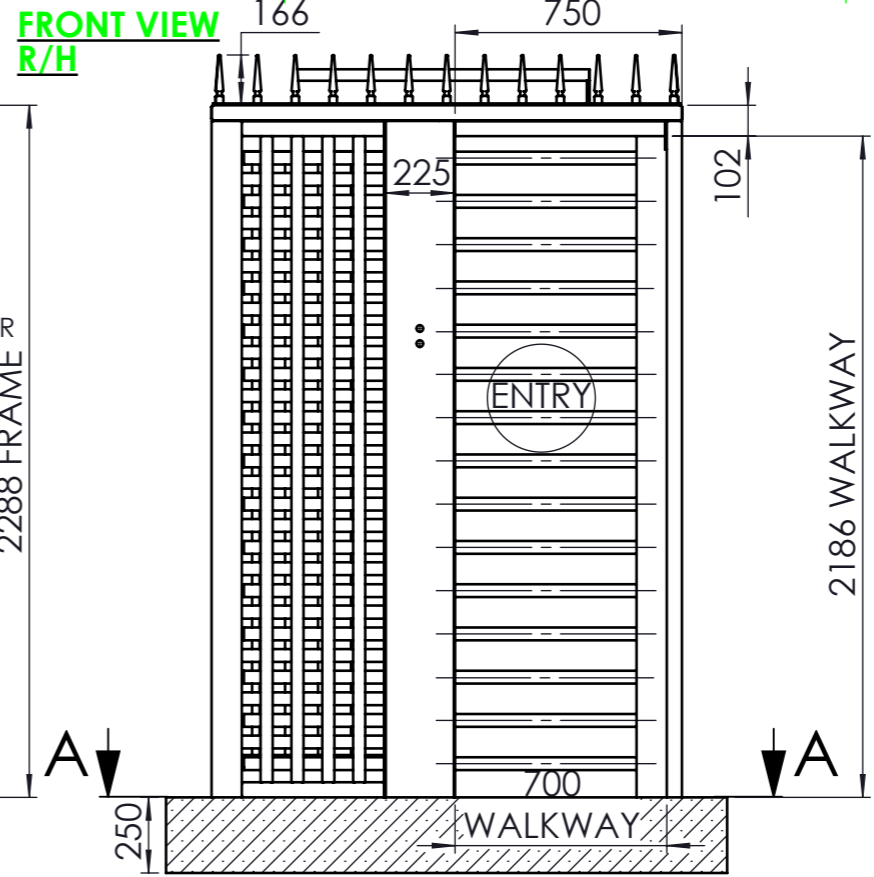
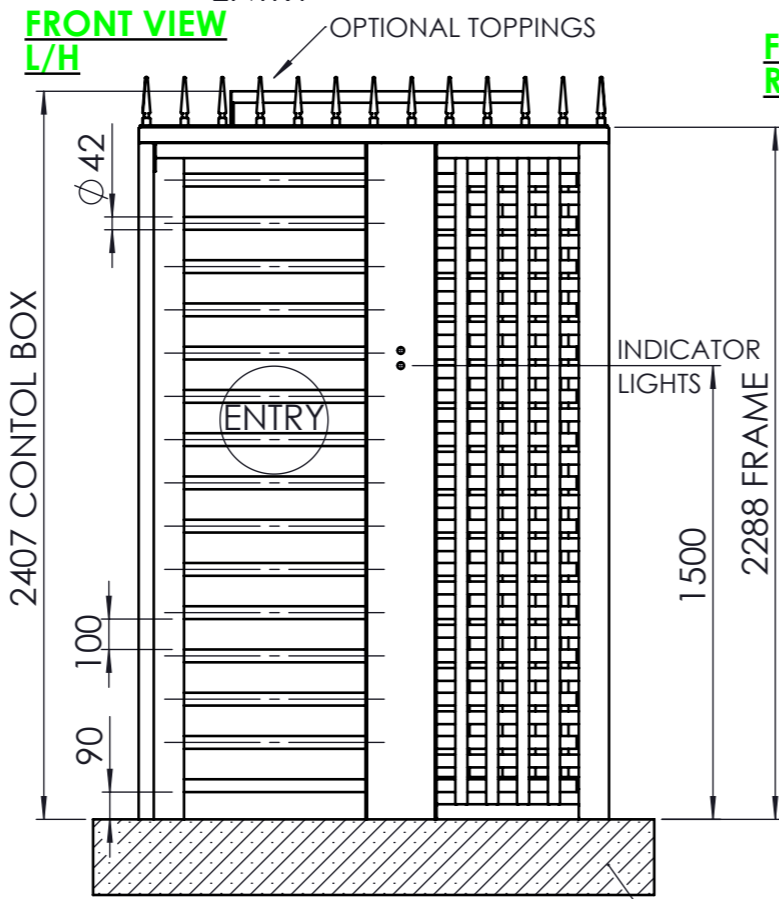
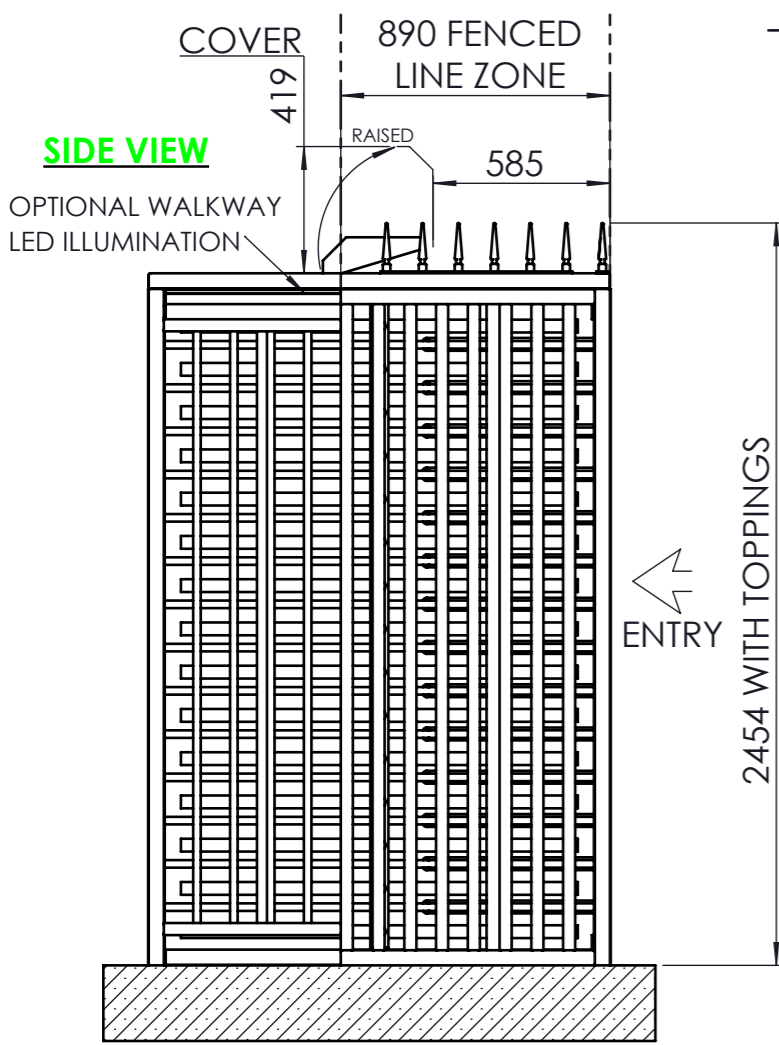
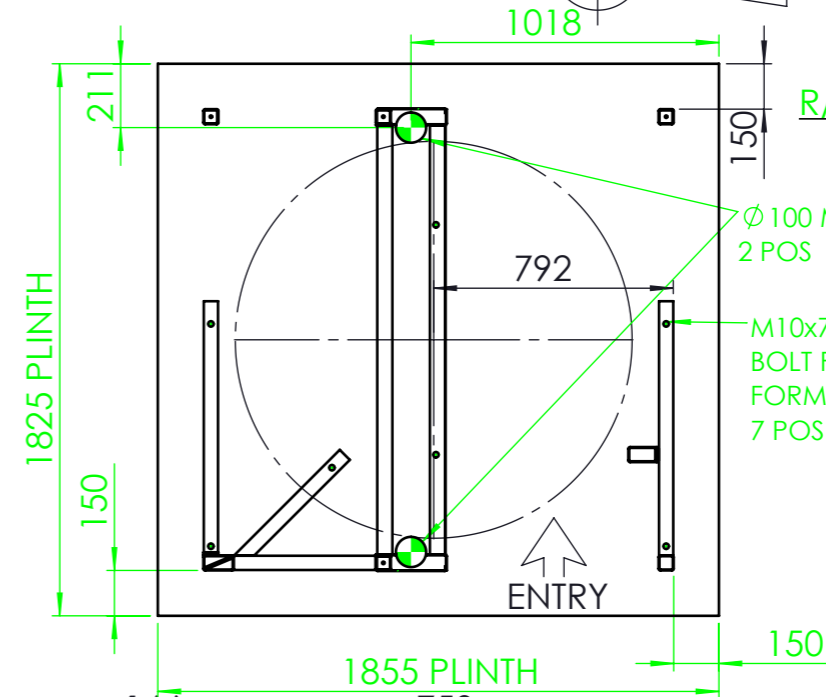
DRG.No. 496C0-300-1S
 USED ON
 496C0-SECURITY RATED

NOTE:
 POWER SUPPLY UNIT AND CONTROL BOARD ENCLOSURE ARE CONTAINED WITHIN TOP CANOPY. CABLES TO THIS AREA (MAINS SWA AND SIGNAL CABLES) ARE DUCTED THROUGH VERTICAL SECTIONS OF THE TURNSTILE.

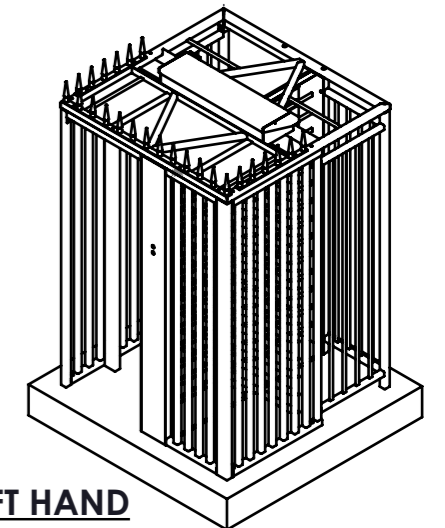
FENCE TO BE INSTALLED OVER THE TURNSTILE IS TO ENSURE COVER ACCESS HINGED UP AS SHOWN. TO POSITION THE TURNSTILE FULLY INSIDE THE SECURE SIDE, ALLOW THE FENCE INFILL TO BE DOWN TO THE WALKWAY HEIGHT OR TO POSITION THE TURNSTILE FLUSH WITH THE FRONT FACE OF THE FENCING, ALLOW FLUSH THROUGH THE FENCE LINE. THE INFILL NEEDS TO LEAVE A 20mm GAP ALL ROUND, FENCE HEIGHT FOR SR3 TO ACHIEVE 2.4M COVERAGE MINIMUM.



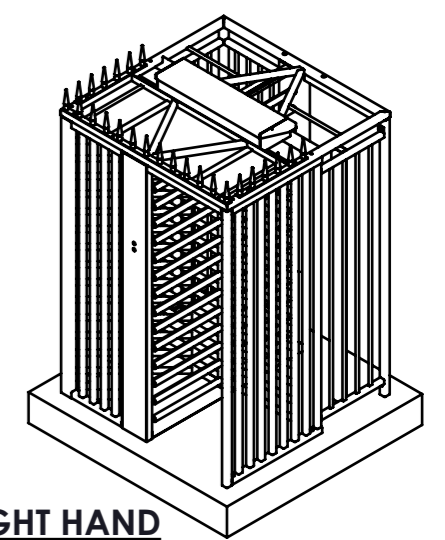
DRAWN TO B.S. 8888
 THIRD ANGLE PROJECTION



SECTION A-A
 R/H FLOOR PLAN



LEFT HAND



RIGHT HAND

LEFT HAND OPTION
 ENTRY SIDE

RIGHT HAND OPTION
 ENTRY SIDE

© Meesons A.I. Ltd 2020 Patent Pending 2017695.4

PROTECTIVE FINISH POWDER COAT / GRIT 180/240
 WEIGHT: 1095.41 Kg

MATERIAL MILD STEEL / STAINLESS STEEL

MEESONS
 SAFE SECURE ACCESS
 Cardea House
 Sidings Business Park
 Sandylands
 Skipton
 BD23 1TB
 TEL: 0870 787 7846
 www.meesons.com

ISSUE	DATE	DESCRIPTION
1	25/11/2020	PRODUCTION ISSUE
A	30/07/2019	INITIAL ISSUE

DRAWN M.KEADY CHECKED MDK CERTD. M.Warblay SCALE N.T.S.

TOLERANCES FOR DIMENSIONS
 DIMS. SHOWN THUS >449 ±1
 DIMS. SHOWN THUS 1. ±0.4
 DIMS. SHOWN THUS 1.0 ±0.15
 DIMS. SHOWN THUS 1.00 ±0.05
 UNLESS OTHERWISE STATED
 ALL DIMENSIONS IN MILLIMETRES

TITLE
 SINGLE STRAIGHT 4 BAR SR3 TURNSTILE
 SR1 AND SR2 OPTIONS AVAILABLE

DRG.No. 496C0-300-1S
 REV. 1
 A3