

Fortis Full Height Turnstile

The Fortis full height turnstile provides controlled pedestrian access and is designed to withstand a forced attack, whilst providing an open passage feel. With an anti-corrosive treatment, the Fortis high security turnstile is suitable for both interior and exterior use. Available as a double unit for higher throughput applications.

MAIN FEATURES

- Proven to resist forced attack, approved to LPS 1175: Issue 8 A1(SR1), B3(SR2) & C5(SR3)
- Smooth operation with built in rotor damping
- Anti-bump / Skip protection
- Remote rotor attack monitoring
- Configurable transit modes - bidirectional, unidirectional, time out feature relock, fail safe* or fail secure

*excluding trombone arm bars

DIMENSIONS

Unit overall height: 2407mm

Unit width: 1555mm

Unit Depth: 1525mm

Passage height: 2186mm

NUMBER OF WINGS

4 Wings (90°)

BARRIER TYPE

14 Tubular armoured bars Ø 43mm

PASSAGE WIDTH

Passage Width: 600mm – 700mm with anti reverse

FRAME

Hot-dip zinc galvanised

CENTRAL COLUMN/ ROTOR

Hot-dip zinc galvanised

TOP PANEL

Hot-dip zinc galvanised

POWER SUPPLY

110V/240V AC @ 500mA / Aux power output 12v@1amp

Meesons A.I. Ltd | Cardea House | Sidings Business Park
Skipton | North Yorkshire | BD23 1TB



Approved to LPS1175: Issue 8

Security Ratings

A1(SR1), B3(SR2), C5(SR3)

Cert/LPCB Ref. 1644

Secured by Design



Police Preferred Specification

DESIGNED &
MANUFACTURED
IN THE UK



COMMUNICATION INTERFACE

Voltage free clean contact outputs

Cleaning contact or voltage counter output

Remote rotor position monitoring

Intuitive traffic light guidance

OPERATING ENVIRONMENT

Indoor/ outdoor

EMERGENCY MODE

Fail secure (Can be configured to fail safe at a later date)

Configurable direction for emergency input

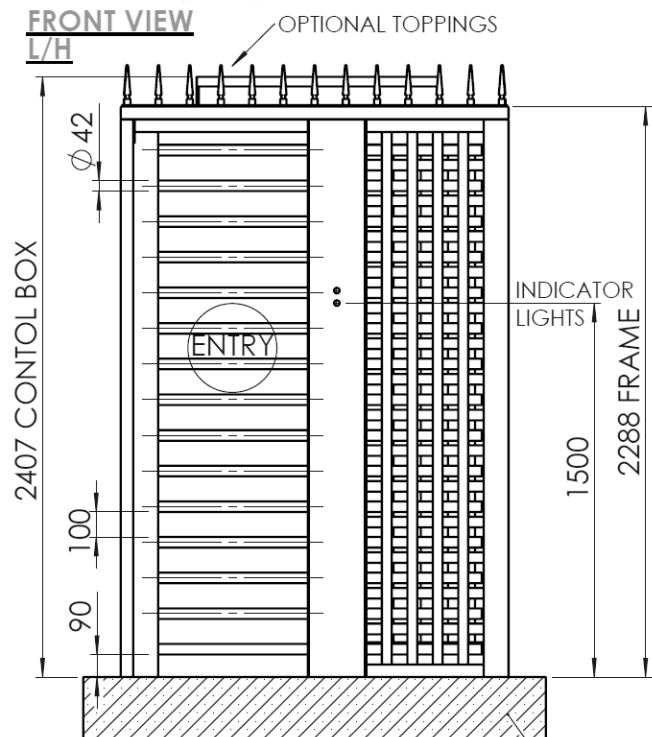
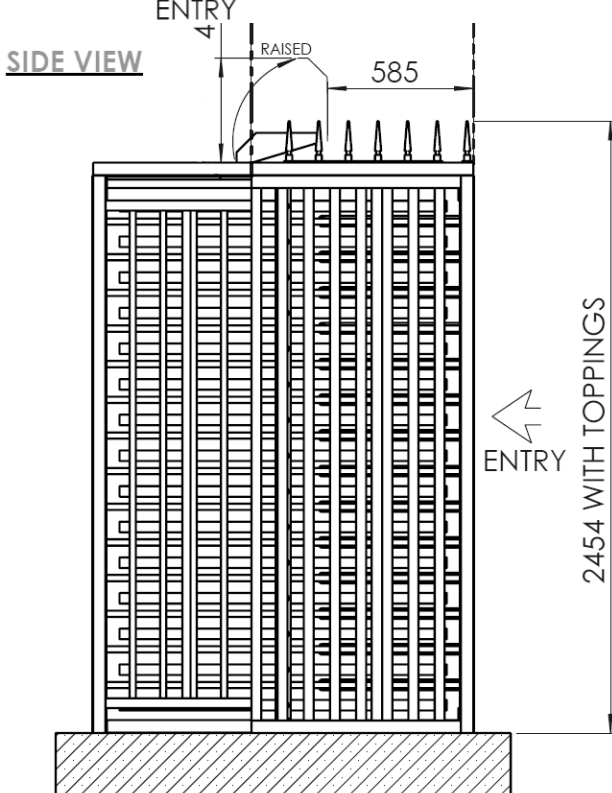
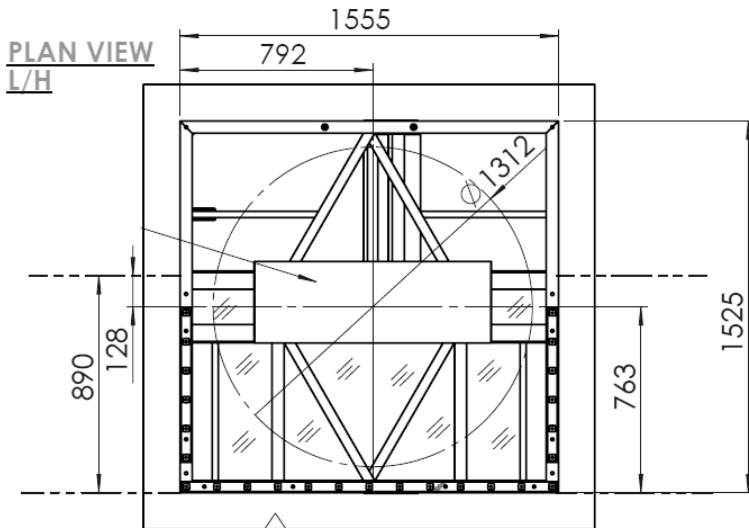
Tel: 0870 787 7846

Email: enquiries@meesons.com

www.meesons.com

OPTIONAL ACCESSORIES

- Integrated 3rd party terminals + Brackets
- Passageway LED light with dusk sensor
- Remote control
- Tamper switches on control box
- Battery back-up module, in excess of 12h continuous runtime subject to age, environment and turnstile configuration
- Frame finish in RAL colour powder coat
- Stainless steel central column/ rotor
- Top lid in RAL colour powder coated finish or Stainless steel
- Trombone barrier arms
- Mounting frame/sub floor assembly



LEFT HAND OPTION
ENTRY SIDE

As our policy is to continually improve the products we offer, we reserve the right to amend specifications without prior notice. Further product drawings are available on request