

EasyGate Superb

The EasyGate Superb is an ultra slim Speed Gate combining security and safety in a minimalist design. With market leading technology the EasyGate Superb is at the forefront of Speed Gate design and includes all the latest features to provide a premium solution. The Superb is fully customisable and can be tailored to complement your design scheme.

MAIN FEATURES

- Ultra slim design: 99mm cabinet width
 - Integrated card collector with return function*
 - Intuitive light guidance
 - High Glass wings for increased security*
- * Optional upgrade

DIMENSIONS

Cabinet height: 990mm
 Cabinet length: 1580mm
 Cabinet width: 99mm
 Barrier height: 990-1800mm

PASSAGE WIDTH

1 wing

Standard width: 550mm
 Max Passage width: 600mm

2 wings

Standard width: 650mm
 Max Passage width: 1100mm (For glass height up to 1400mm)
 Max Passage width: 1000mm (For glass height up to 1600mm)
 Max Passage width: 920mm (For glass height up to 1800mm)

BASE AND HOUSING

Brushed Stainless Steel

TOP LID

Black Glass Panel

BARRIER

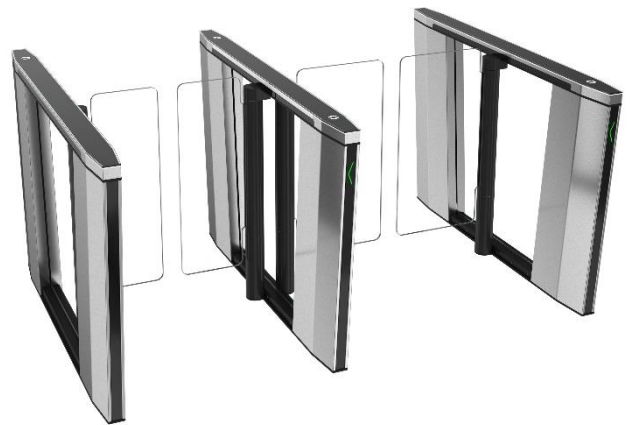
Glass Wing (10mm, tempered)

SIDE INFILL PANEL

6mm tempered glass

POWER SUPPLY

13.8V DC/ 24V AC/ 230V AC



COMMUNICATION INTERFACE

RS-485/ USB/ Ethernet

NUMBER OF SENSORS

24 pairs

TAILGATING AND CROSS OVER DETECTION

Yes

CLIMBOVER DETECTION

Yes - electronic detection

RANGE OF OPERATING TEMPERATURE

+10°C to +50°C
 -25°C to +50°C with heating module

OPERATING ENVIRONMENT

Indoor

EMERGENCY MODE

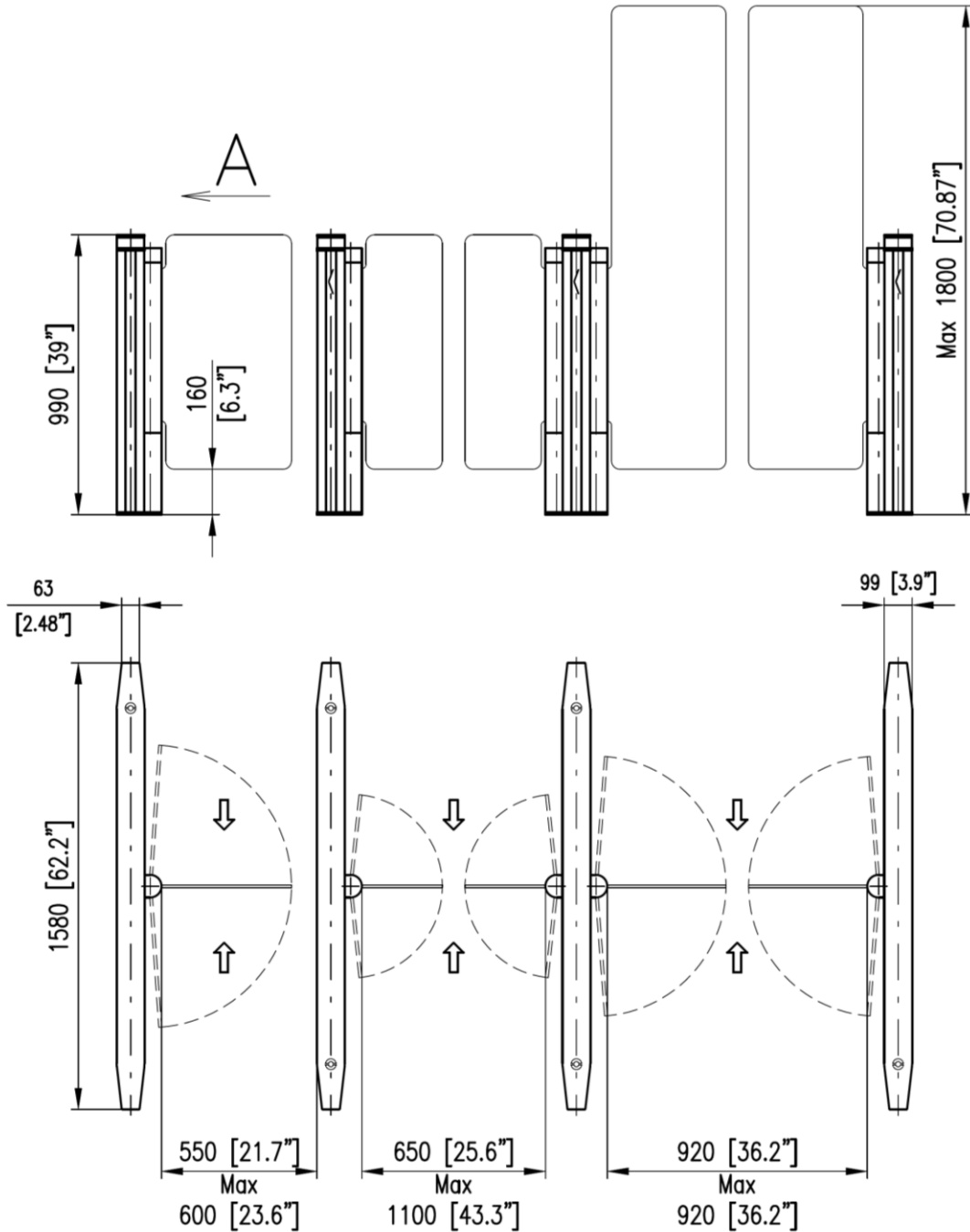
Open manually or automatically
 (with power backup)

MCBF

3,000,000 cycles (Based on recommended maintenance schedule)

OPTIONAL ACCESSORIES

- RFID reader bracket
- WAV player
- Anti-vault detection
- USB convertor / Ethernet convertor
- RF remote control
- QR/ Barcode Reader
- Liftcall mini display
- EasyTouch / TouchPanel / T-MON SW
- Integration of card collector
- Ramp LT
- Speed Gate Sub Frame



As our policy is to continually improve the products we offer, we reserve the right to amend specifications without prior notice. Further product drawings are available on request 02/22

Meesons A.I. Ltd | Cardea House | Sidings Business Park
Skipton | North Yorkshire | BD23 1TB

Tel: 0870 787 7846
Email: enquiries@meesons.com
www.meesons.com